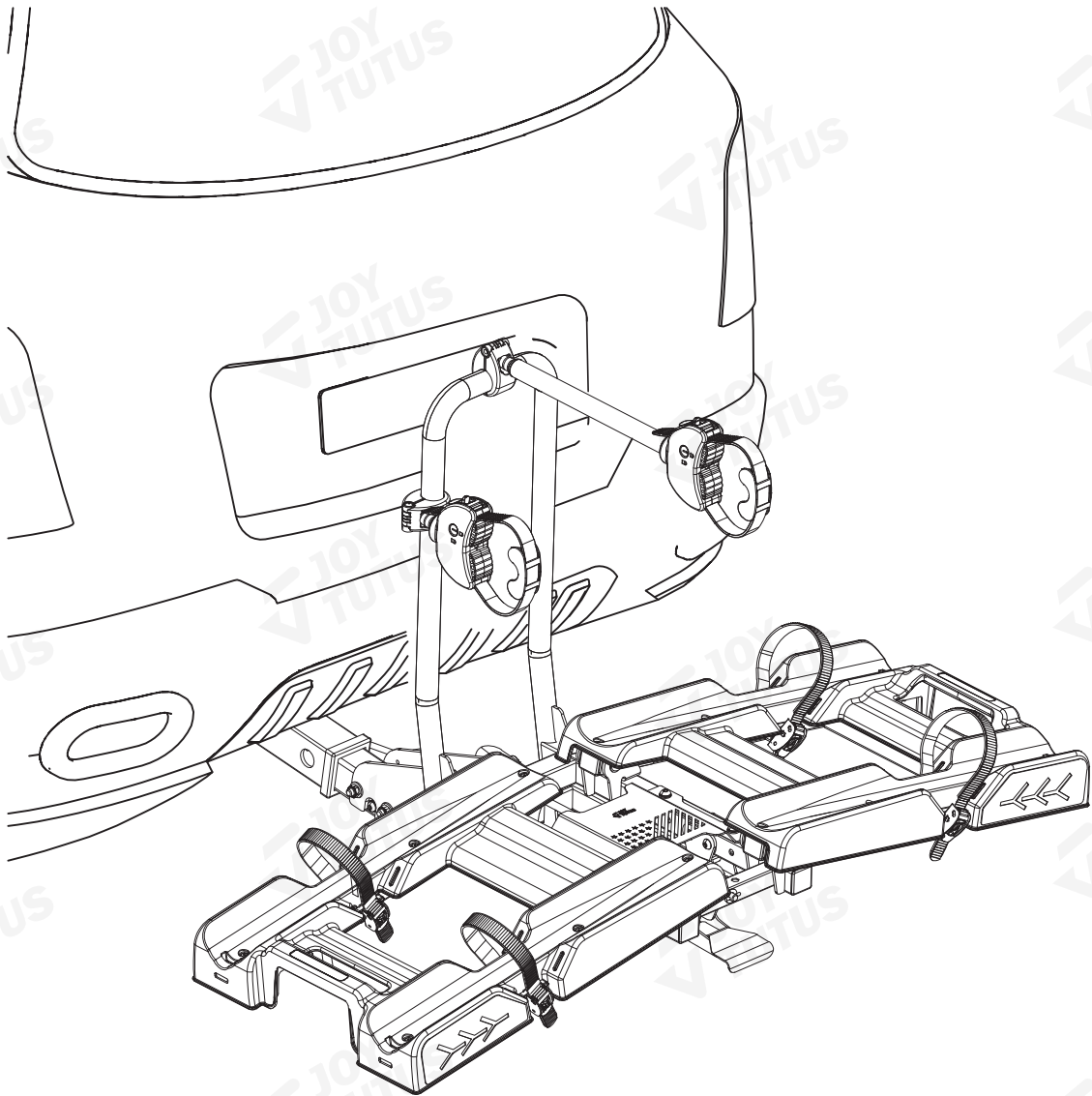


**JOY  
TUTUS**



**2" Foldable  
Platform Bike Rack**

---

## Note Before Using

---

Thank you for choosing JOYTUTUS hitch bike rack. To secure your passion , please read below safety notes carefully in prior to installation:

1. The max capacity of this rack is 198 bs. please load your bikes within the rack's load limit;
2. Check the installation bolts regularly and drive at speeds below 75mph (120kph) to ensure safety.
3. Check every screw joint and the hitch connection before loading the bikes;
4. Do not use rack on any vehicle on which it can not be properly mounted;
5. Check periodically during use that all bolts are tight, and the rack and bikes are secure;
6. Drive conservatively and responsibly, especially over bumps; The characteristics of the vehicle changes when you carry a heavy load.

### CUSTOMER SUPPORT



Contact us by email:  
[service@joytutus.com](mailto:service@joytutus.com)

JOYTUTUS help center:



<http://support.joytutus.com>

---

## Warranty Term

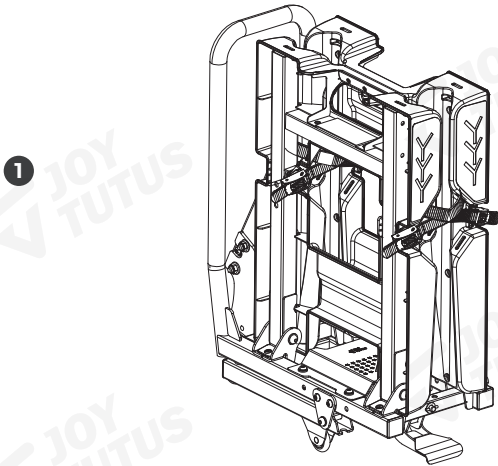
---

1. If our product is found defective in craft or material in the original package, please contact via **[service@joytutus.com](mailto:service@joytutus.com)** , JOYTUTUS Will offer free repair or free replacement. warranty is not transferable;
2. This warranty doesn't cover other products sold by other purchasing channel except JOYTUTUS Amazon store;
3. This warranty does not warrant any conditions that are beyond JOYTUTUS's control which includes but it not limited to, the followings: excessive loading , improper assembly, theft, day-to-day wear and tear, damage due to unauthorized repairs or any use not consistent with the user guide.

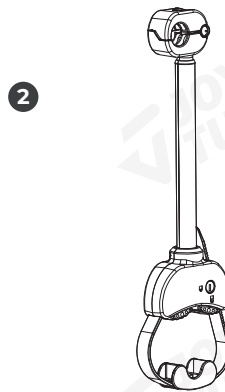
### IMPORTANT

Before installation, please make sure that all accessories are ready. (As shown in the picture below).

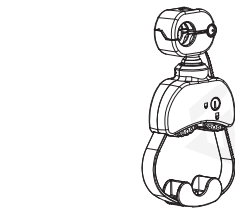
### PRODUCT INFORMATION



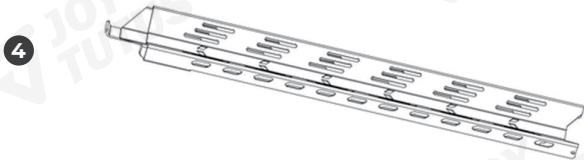
E-Bike Carrier Platform **x1**



Long Frame Holder **x1**



Short Frame Holder **x1**



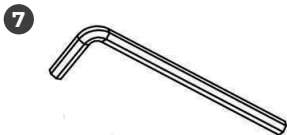
Ramp Section **x1**



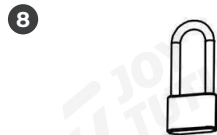
Instruction Manual **x1**



Frame Holder Keys **x1**



Hex Wrench **x1**



Padlock **x1**



Padlock Key **x1**



Strap Protector **x4**

### Customer Support



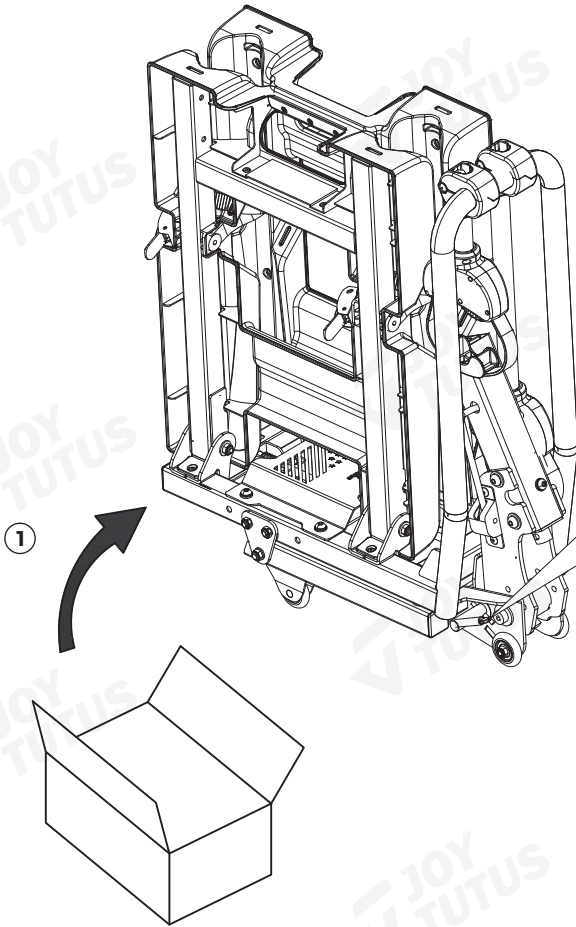
Contact us by email: [service@joytutus.com](mailto:service@joytutus.com)

JOYTUTUS help center:  
<http://support.joytutus.com>

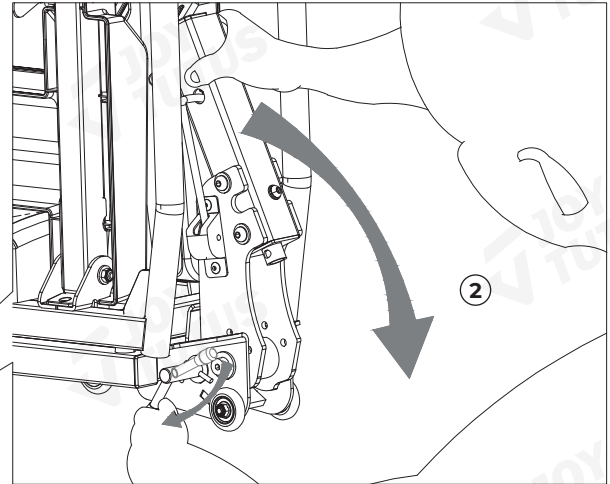


## ✓ INSTALLATION TIPS

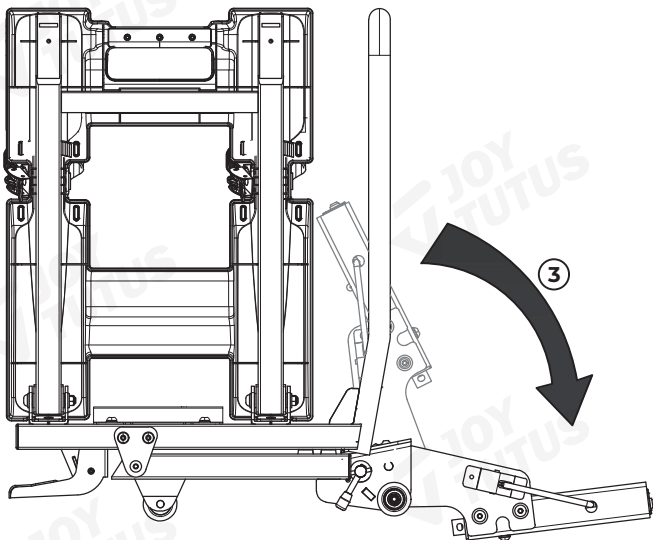
**STEP 1** Take the clamps out of the box.



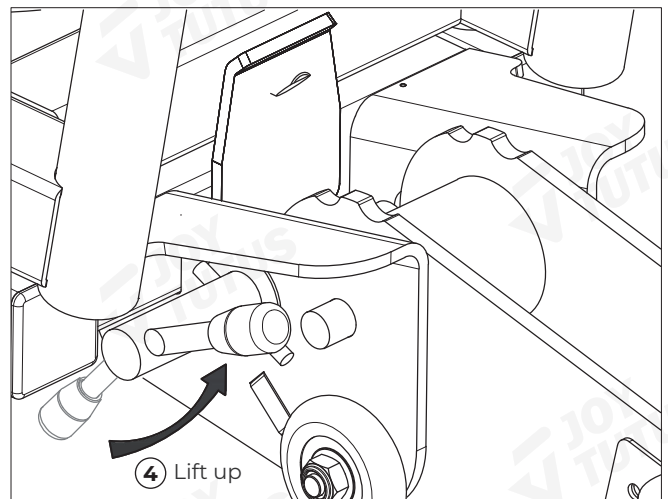
**STEP 2** Put the rotating handle downwards.



**STEP 3** Put down the tongue until you hear a 'click' sound.

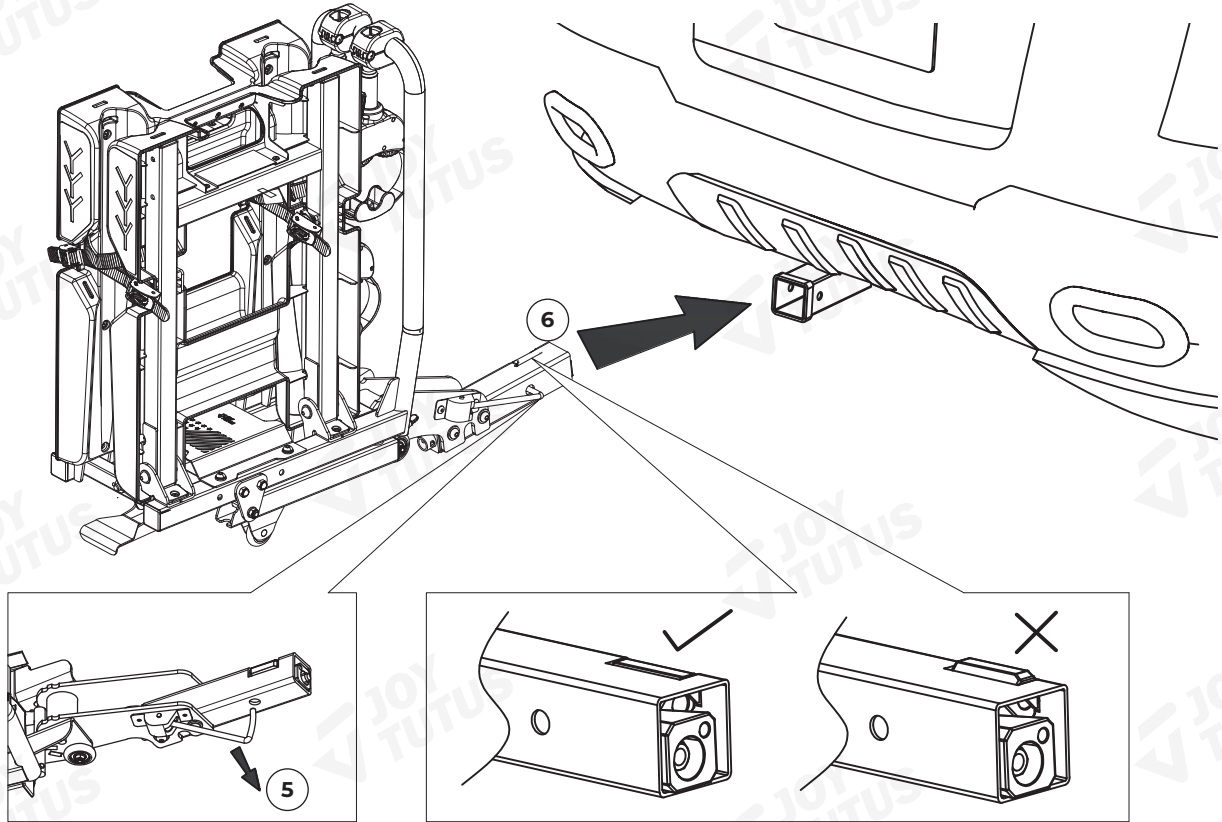


**STEP 4** After that, the rotating handle will automatically lift up



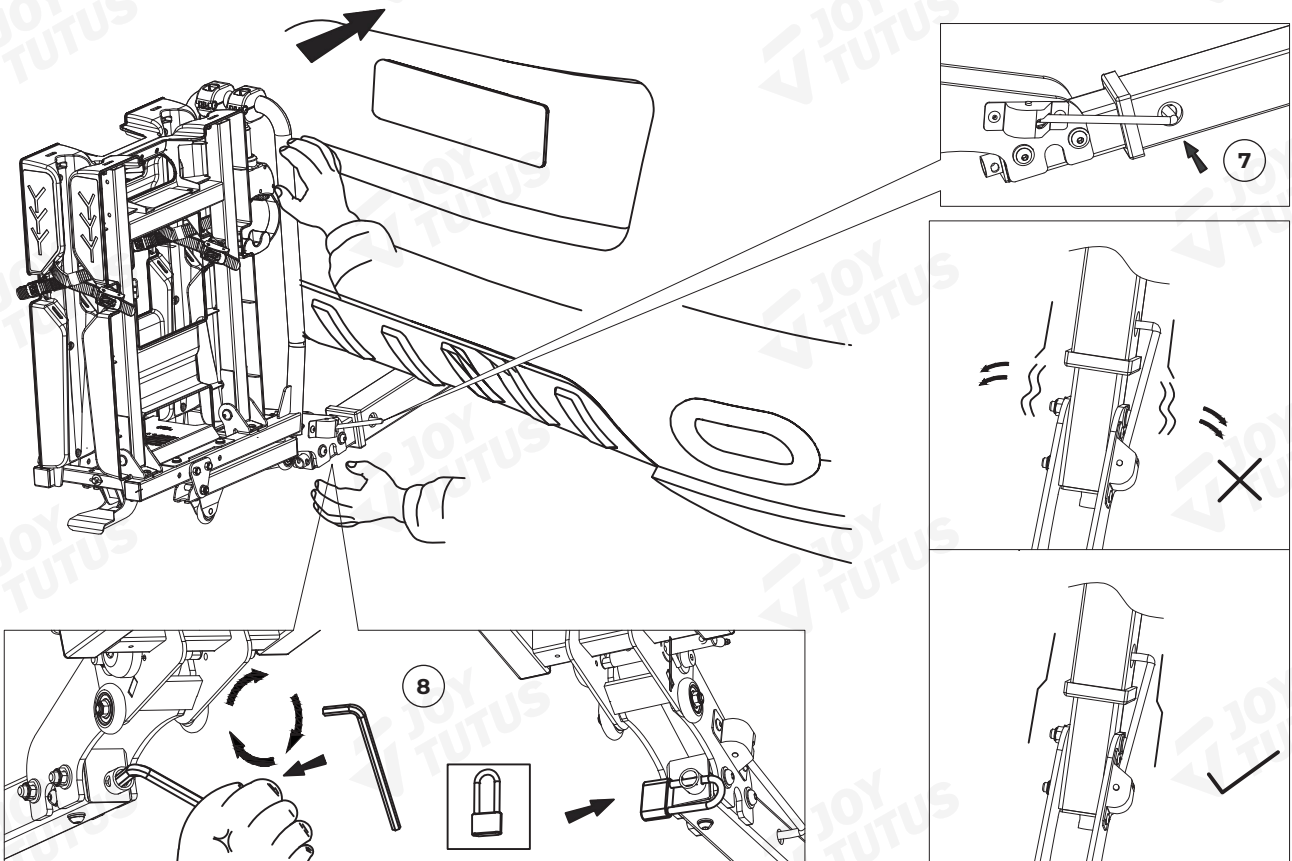
**STEP 5** Release the hitch pin.

**STEP 6** Insert the tongue into the hitch receiver. The hole in the tongue must align with the hole in the hitch receiver.  
Note: When the fastener retract into the groove, the adapter can fit into the hitch receiver



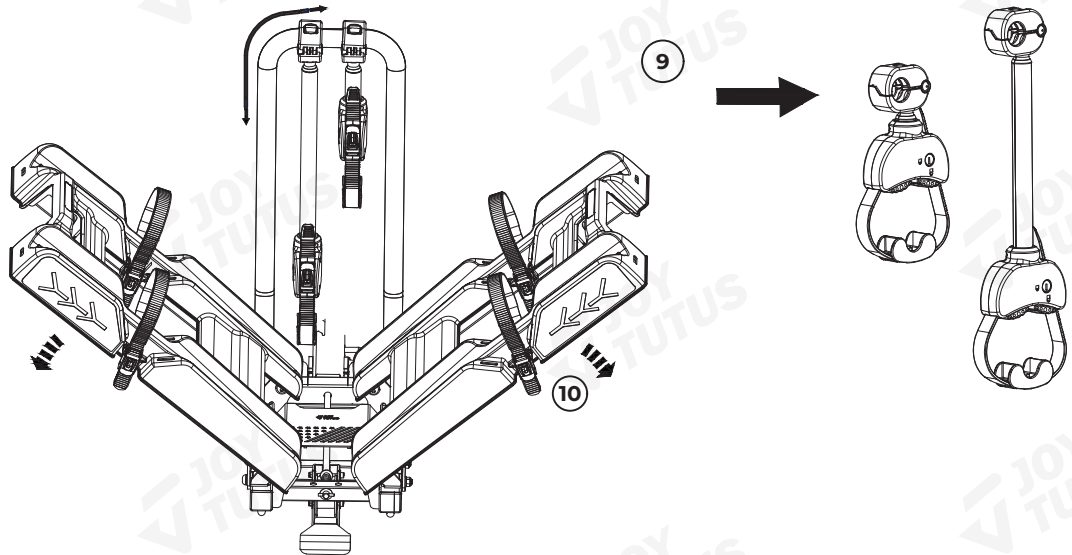
**STEP 7** Insert the hitch pin.

**STEP 8** Tighten the screw to extend the fastener and secure the rack to the hitch receiver.

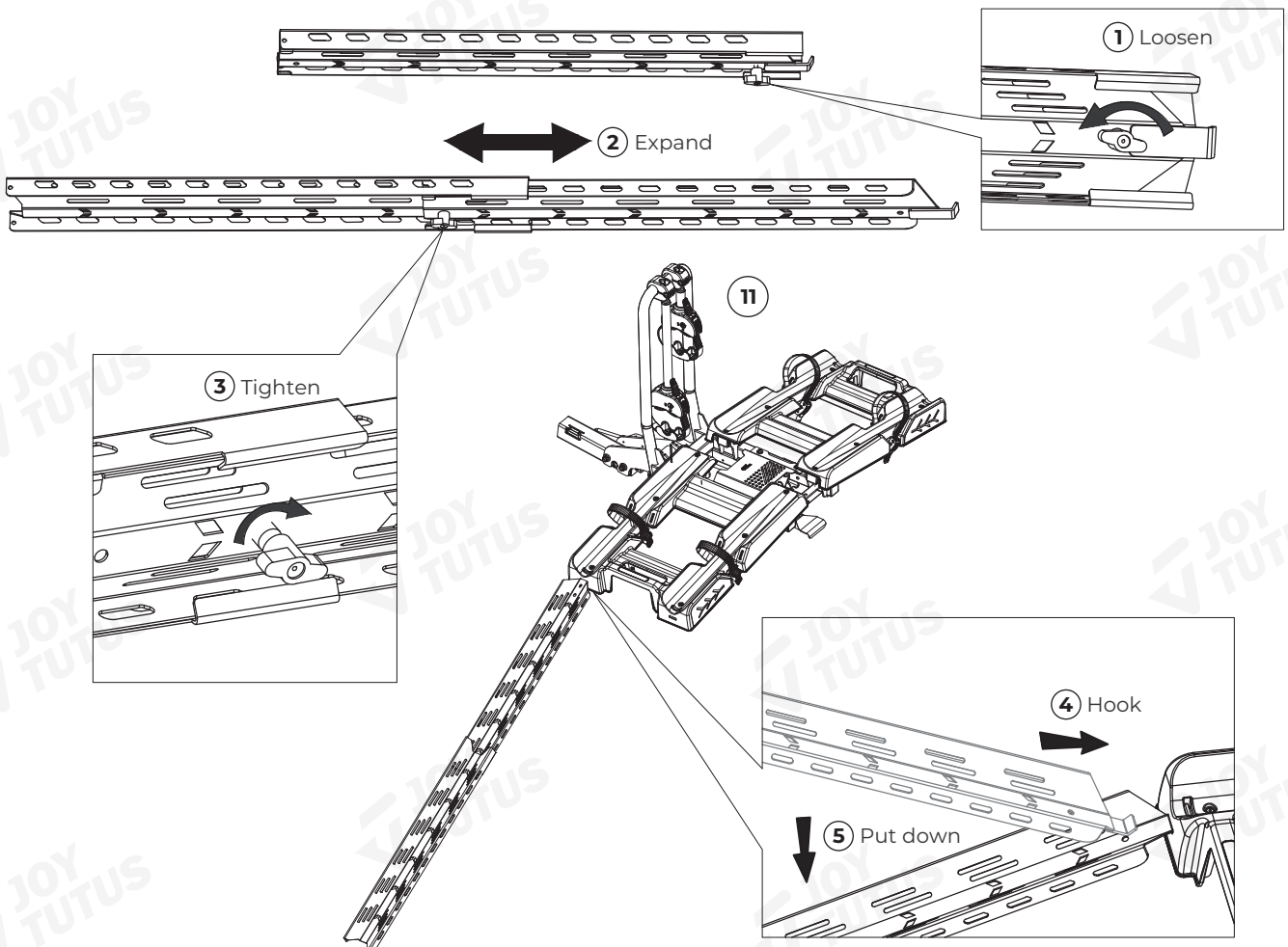


**STEP 9** Turn the handle of the stabilizer to open or close the clamp and adjust it to the desired position

**STEP 10** Expand.

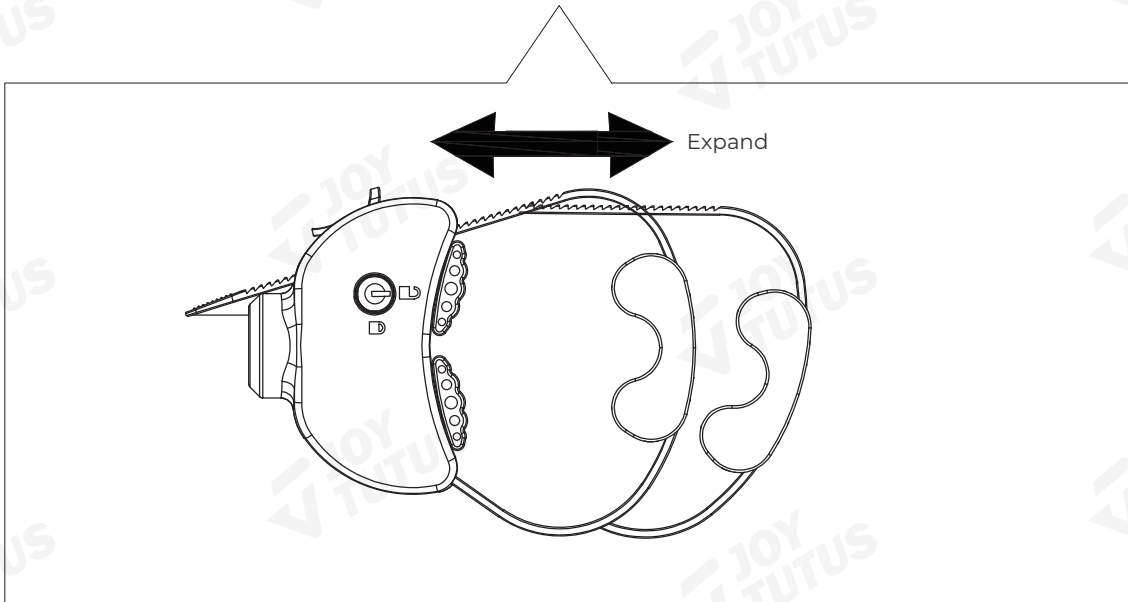
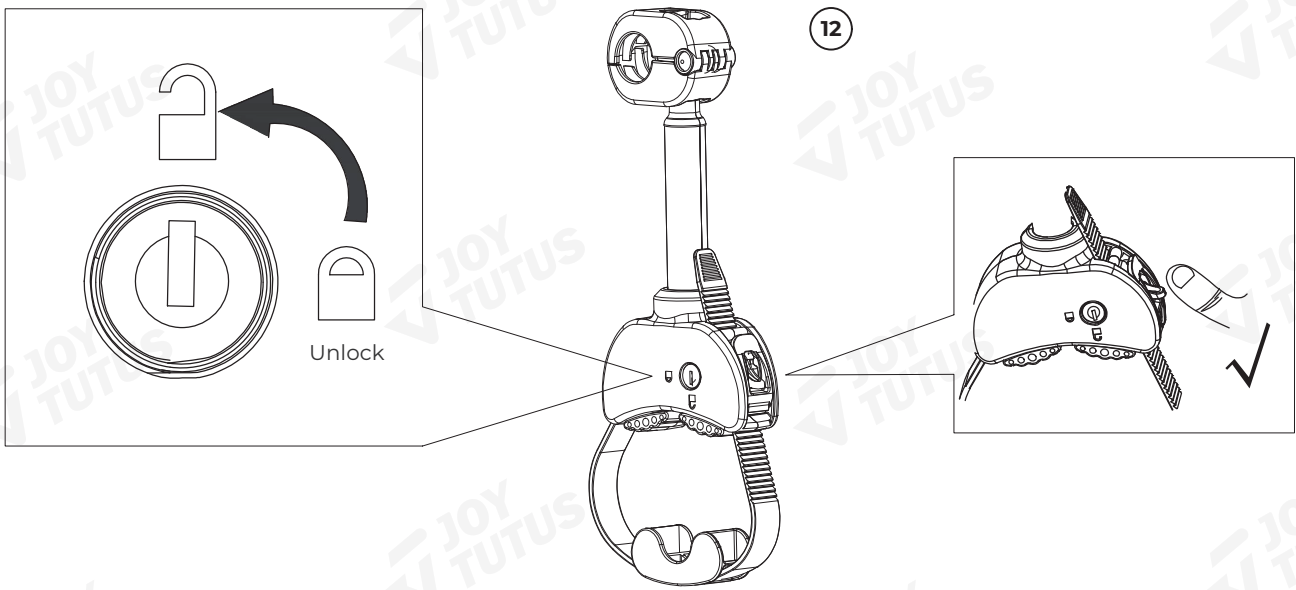
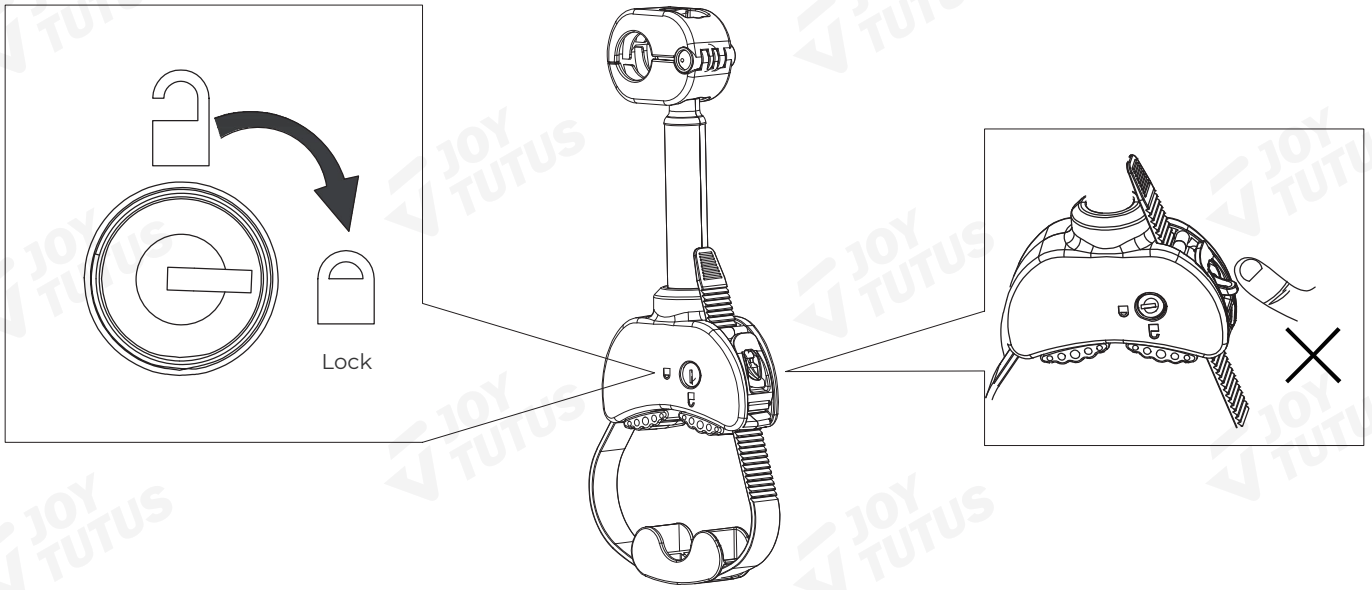


**STEP 11** Loading.

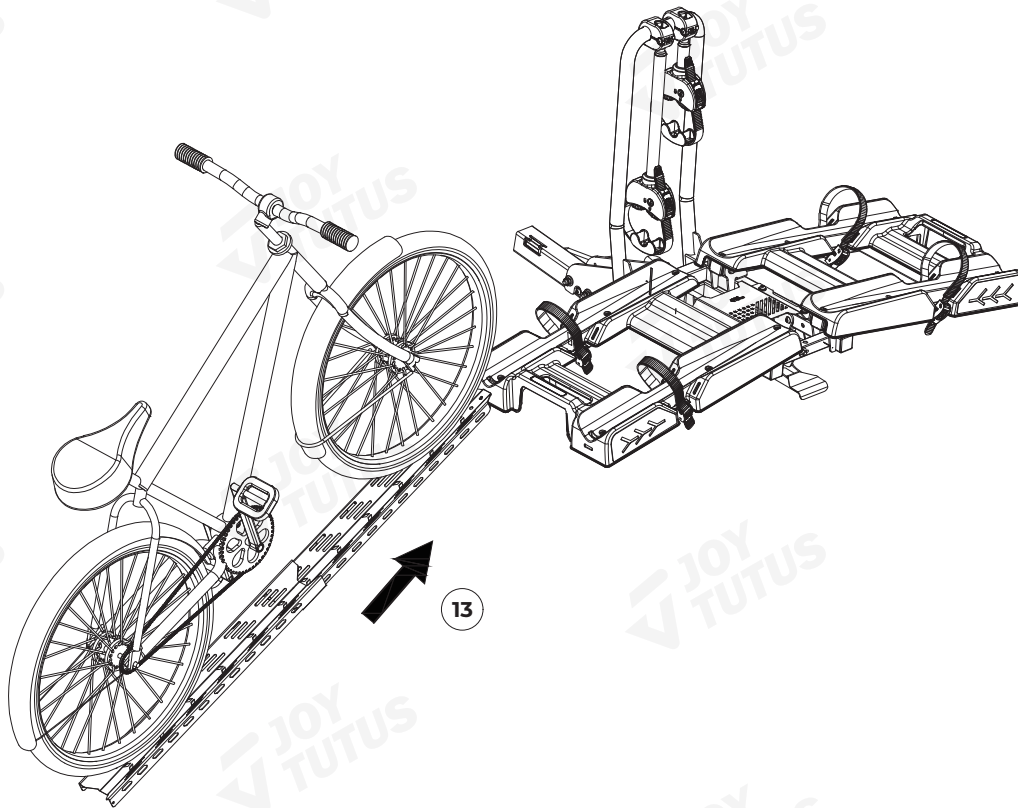


**STEP 12**

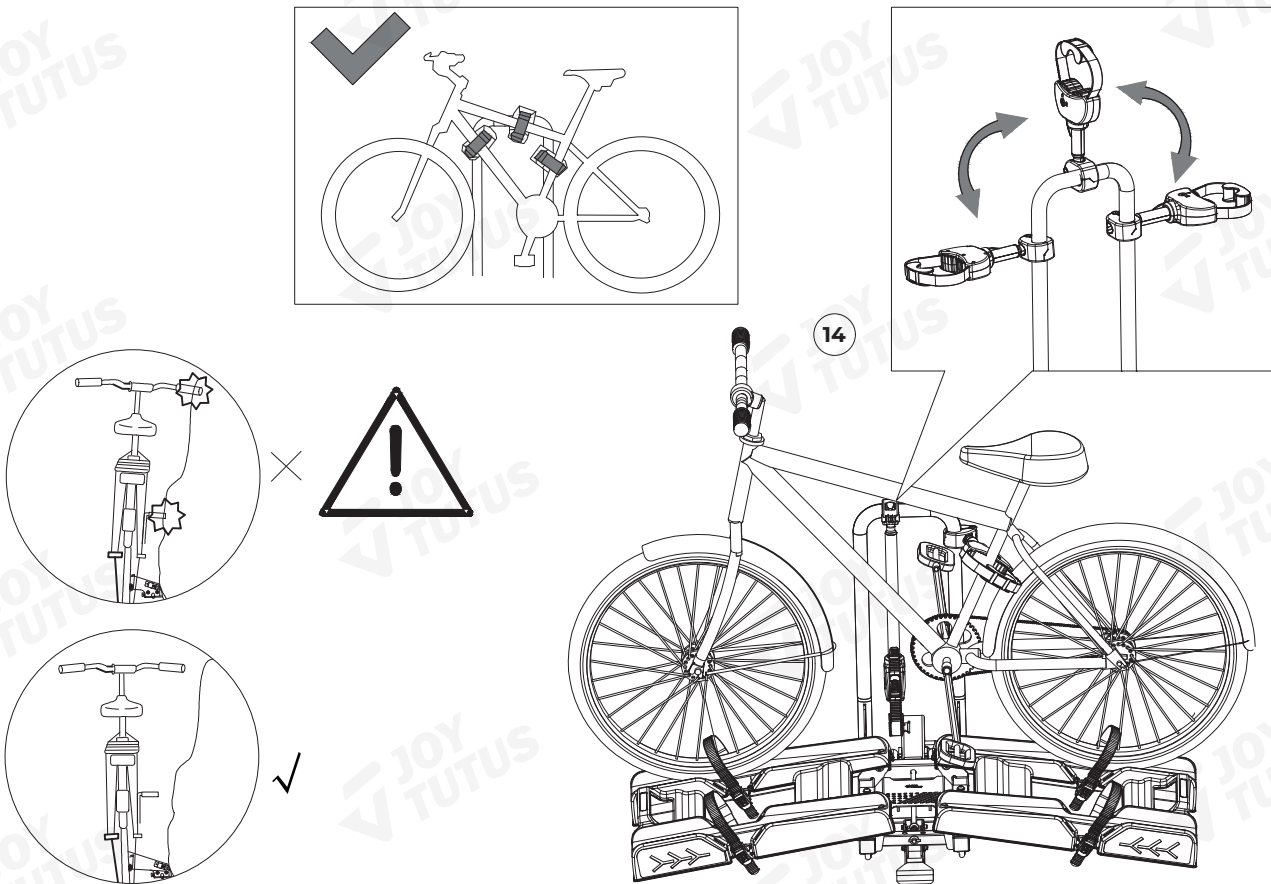
When unlocked, pressing the latch allows the rubber strip to be pulled out. The latch cannot be pressed down when locked.

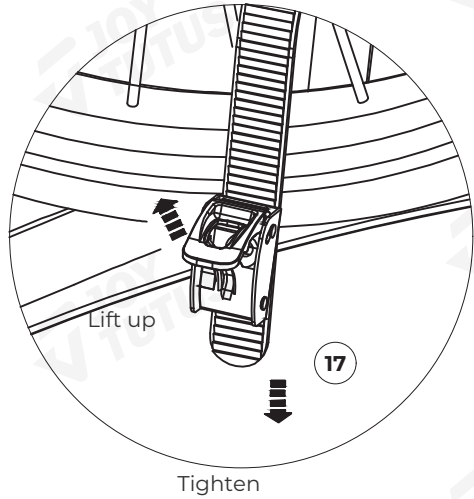
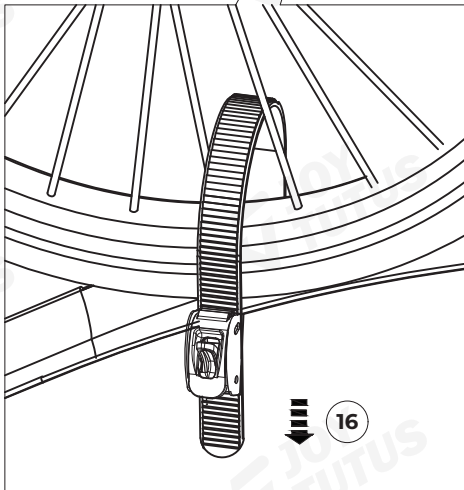
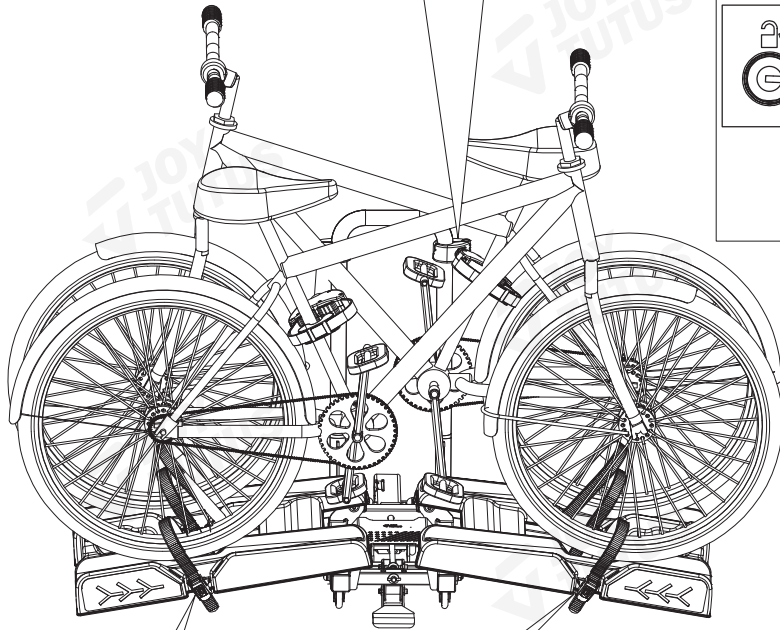
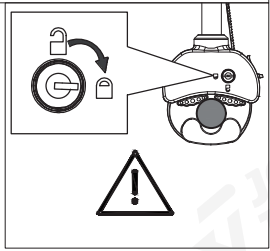
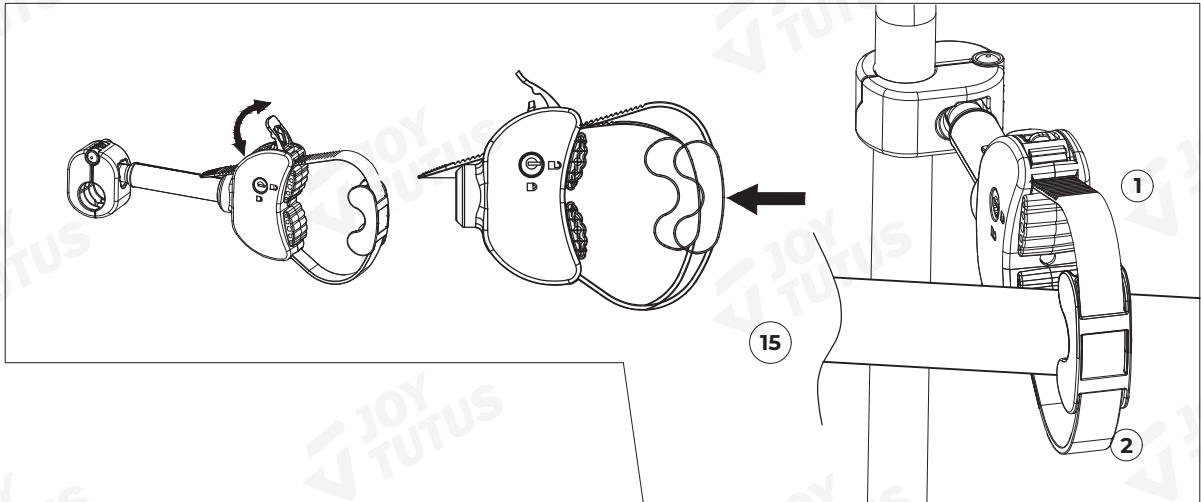


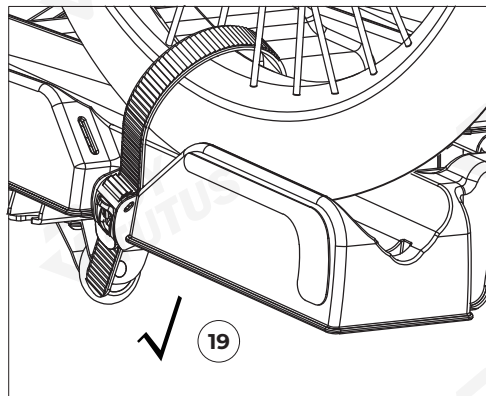
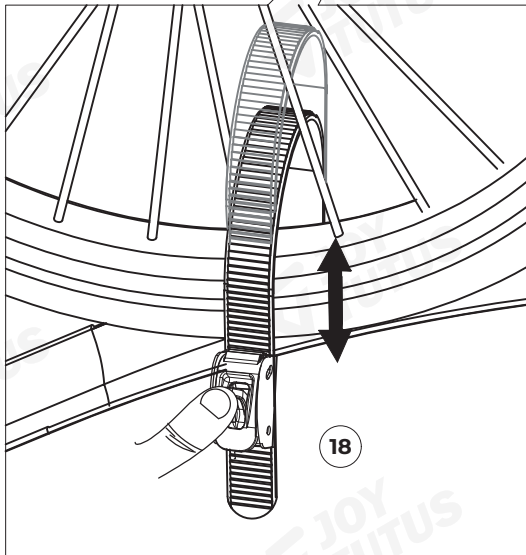
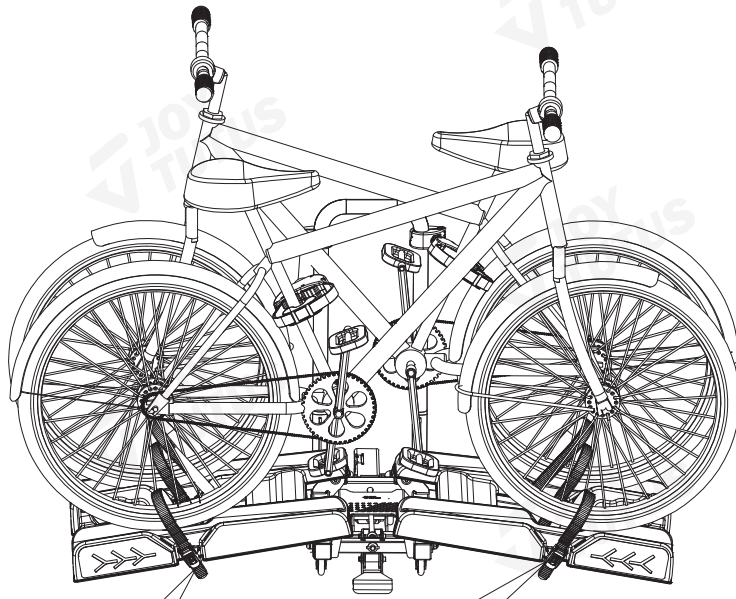
**STEP 13**



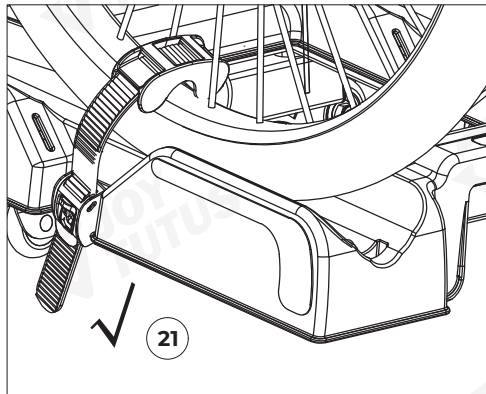
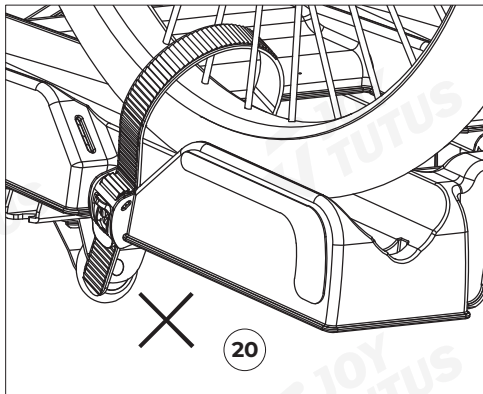
**STEP 14** Adjust the clamp position as needed for different bicycle frame sizes and shapes.



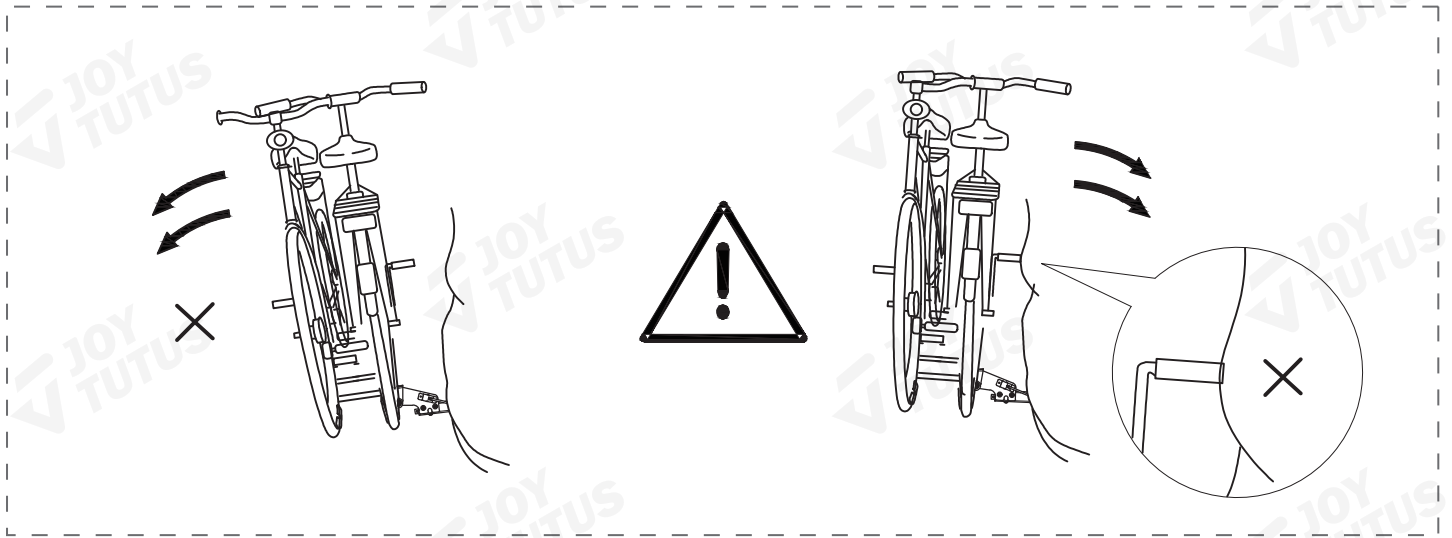




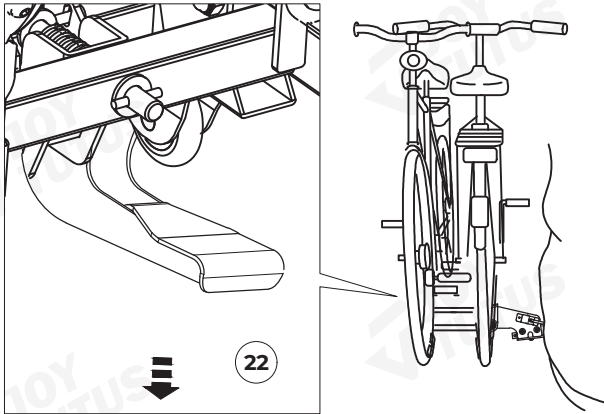
TIPS: Place the rubber pad in the correct position to protect the tire



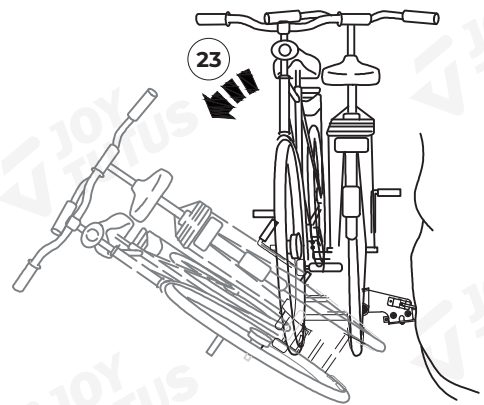
**WARNING** KEEP BIKES VERTICAL AND NOT PEDAL POSITION.



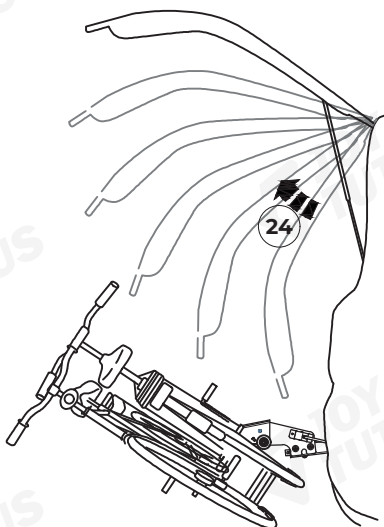
**STEP 22** The method to open the vehicle's trunk: Hold the bicycle with your hand, step on the pedal, and then lay it down.



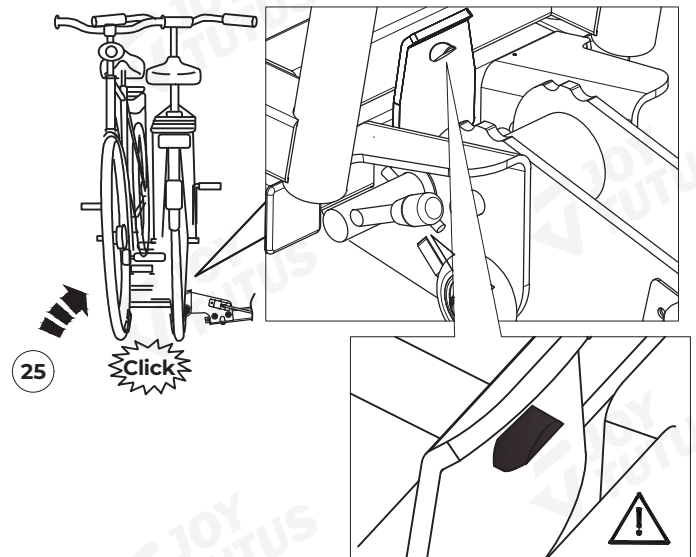
**STEP 23** The method to open the vehicle's trunk: Hold the bicycle with your hand, step on the pedal, and then lay it down.



**STEP 24** Always hold the bike before pedaling to avoid injury.



**STEP 25** Ensure the rack is in its upright position and the pin is securely locked in place before driving.



## √ Specifications

This Bike Carrier is designed to fasten securely to most 2inch hitch receivers, however, variations in vehicle design and specifications make it impossible to guarantee that it will fit in all cases. The vehicle must be in good condition in the area supporting the hitch. You are responsible to ensure the Carrier attaches safely and securely to the vehicle and that it holds the Bikes in a safe manner.

Designed for use on passenger cars, trucks and SUVs that have the correct hitch receiver and carrying capacity. In appropriate use and/or fastening of the Carrier to the vehicle may lead to damage to Bikes, the Carrier and/or your vehicle. It may also inflict damage on other surrounding vehicles.

## √ SAFETY INSTRUCTIONS

### **UNDERSTAND AND FOLLOW ALL INSTRUCTIONS BEFORE ASSEMBLY AND USE OF THIS PRODUCT.**

1. Operate only according to the rules for safe operation in this manual. Carelessness or error on the part of the operator can result in serious injury or property damage. Observe all safety regulations, assembly All persons who use or service the Carrier must be informed about potential hazards and must be well acquainted with this manual. This includes familiarizing themselves with the assembly instructions and operating instructions. It is essential to follow these instructions to ensure safety and prevent accidents or injuries.
2. It is critical that the Bike Carrier is properly secured to the vehicle. Attaching it improperly could result in a vehicular accident, causing serious bodily harm, injuries, or death to you or others, securing carriers and accessories properly to your vehicle is your legal responsibility.
3. Check the carrier prior to each use, and inspect for wear, function, and damaged or broken parts on a regular basis. Check frequently for worn or frayed straps and replace immediately. Do not use if damaged.
4. If you do not understand all of the instructions and cautions, or if your mechanical experience precludes following them, have the carrier installed by a professional.
5. DO NOT exceed the rated capacity of this Bike Carrier. DO NOT load cargo weighing more than 198lbs. / 90 kg.
6. DISTRIBUTE THE LOAD EVENLY.
7. Only use the Bike Carrier on flat and level surfaces.
8. NEVER impede or block the vehicle exhaust. It is crucial to always keep the exhaust path clear.
9. Turn off the vehicle and apply the parking brake before loading or unloading Bikes.
10. During acceleration or heavy braking, the product may experience moments of excess loading, causing unsafe conditions.

11. Ensure that the use of this Carrier is NOT in violation of local traffic regulations regarding protrusion from the vehicle or covering the license plates or taillights.

12. USE ONLY ORIGINAL EQUIPMENT PARTS AND ACCESSORIES.

The use of incorrect accessories may produce unforeseen hazards. It is crucial to avoid modifying the Bike Carrier in any way.

13. RETAIN THESE INSTRUCTIONS FOR FUTURE REFERENCE. Be certain that any future user of this Bike Carrier is aware of all safety instructions, components, assembly procedures warnings, and notes in this manual.