

Hitch Bike Rack User Guide

Note Before Using

Thank you for choosing JOYTUTUS hitch bike rack. To secure your passion , please read below safety notes carefully in prior to installation:

1. The max capacity of this rack is 180lbs. please load your bikes within the rack's load limit;
2. Check every screw joint and the hitch connection before loading the bikes;
3. Do not use rack on any vehicle on which it can not be properly mounted;
4. Check periodically during use that all bolts are tight, and the rack and bikes are secure;
5. Drive conservatively and responsibly, especially over bumps; The characteristics of the vehicle changes when you carry a heavy load.

CUSTOMER SUPPORT



Contact us by email:
service@joytutus.com

JOYTUTUS help center:



<http://support.joytutus.com>

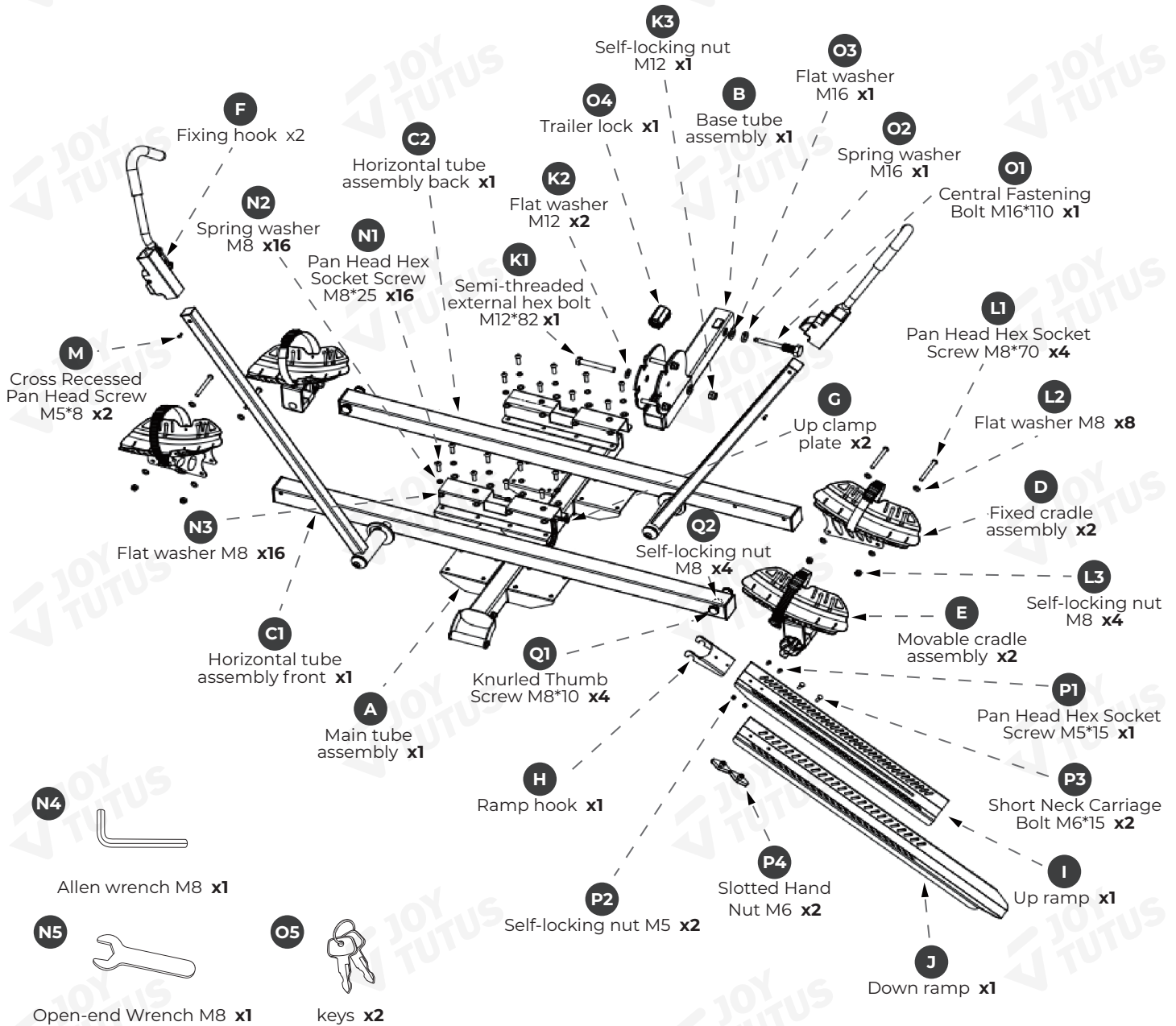
Warranty Term

1. If our product is found defective in craft or material in the original package, please contact via **service@joytutus.com** , JOYTUTUS Will offer free repair or free replacement. warranty is not transferable;
2. This warranty doesn't cover other products sold by other purchasing channel except JOYTUTUS Amazon store;
3. This warranty does not warrant any conditions that are beyond JOYTUTUS's control which includes but it not limited to, the followings: excessive loading , improper assembly, theft, day-to-day wear and tear, damage due to unauthorized repairs or any use not consistent with the user guide.

IMPORTANT

Before installation, please make sure that all accessories are ready. (As shown in the picture below).

PRODUCT INFORMATION



Customer Support



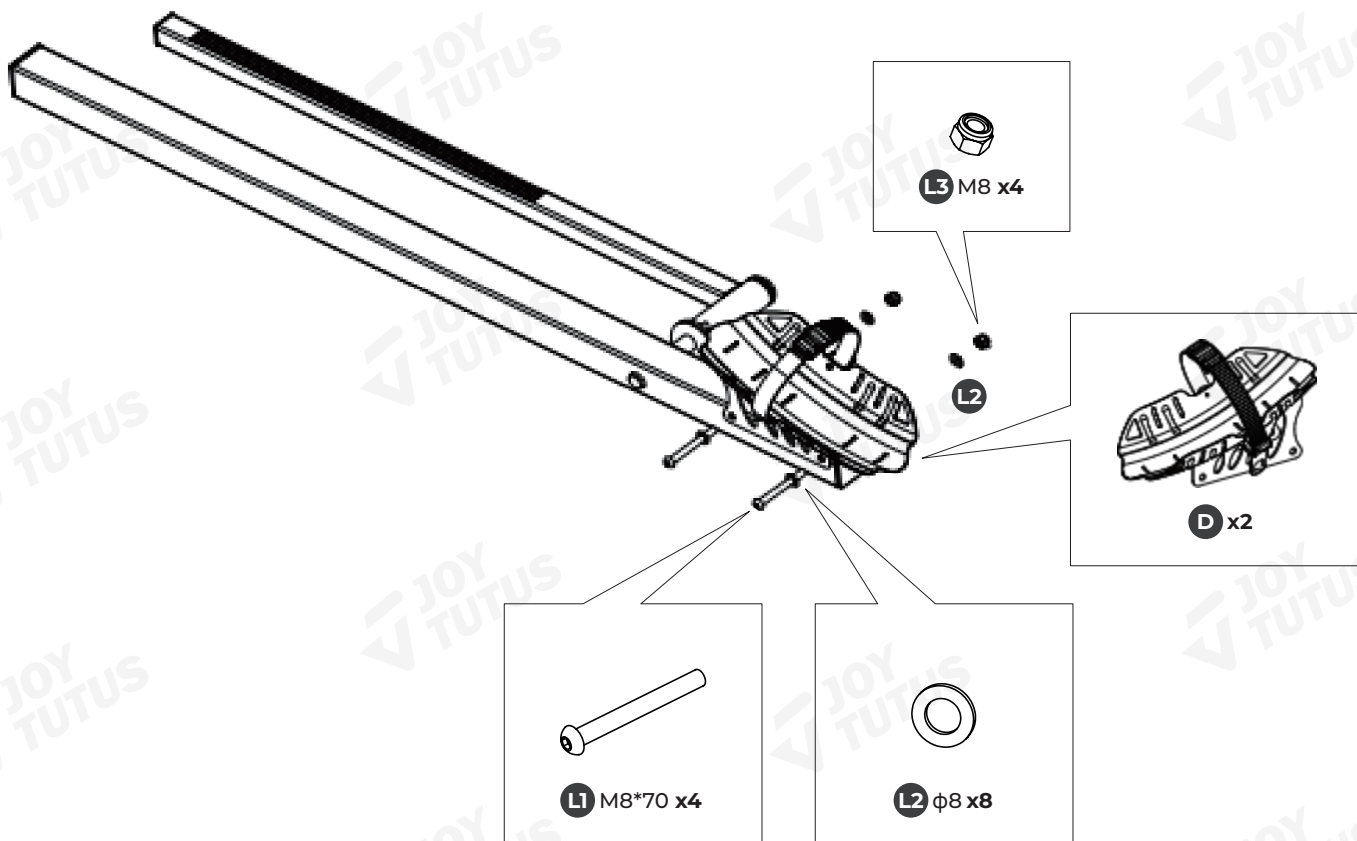
Contact us by email: service@joytutus.com

JOYTUTUS help center:
<http://support.joytutus.com>

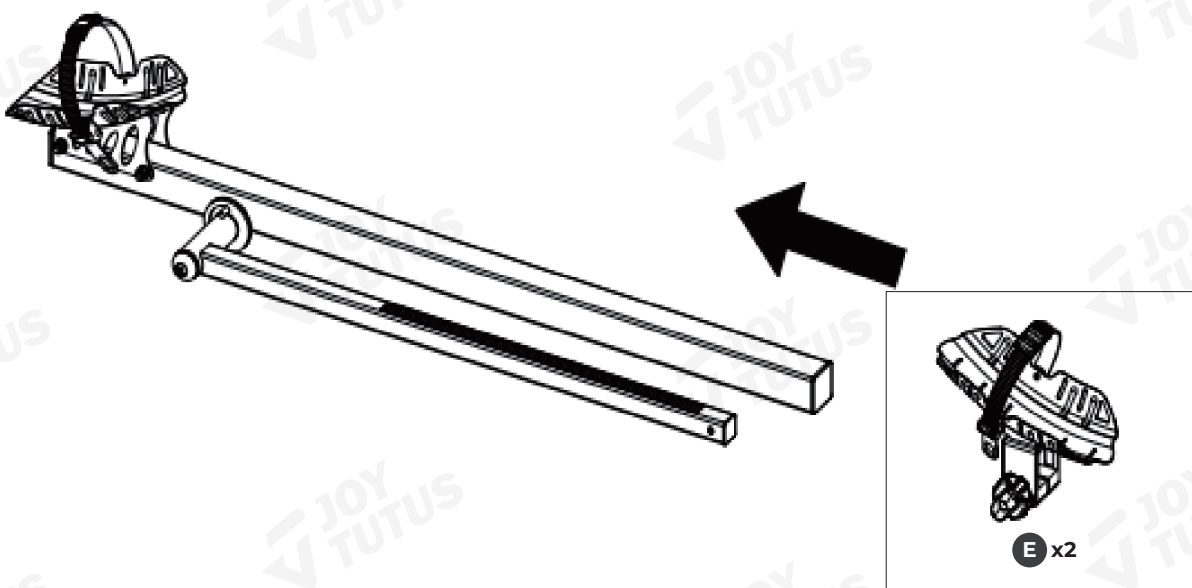


✓ INSTALLATION TIPS

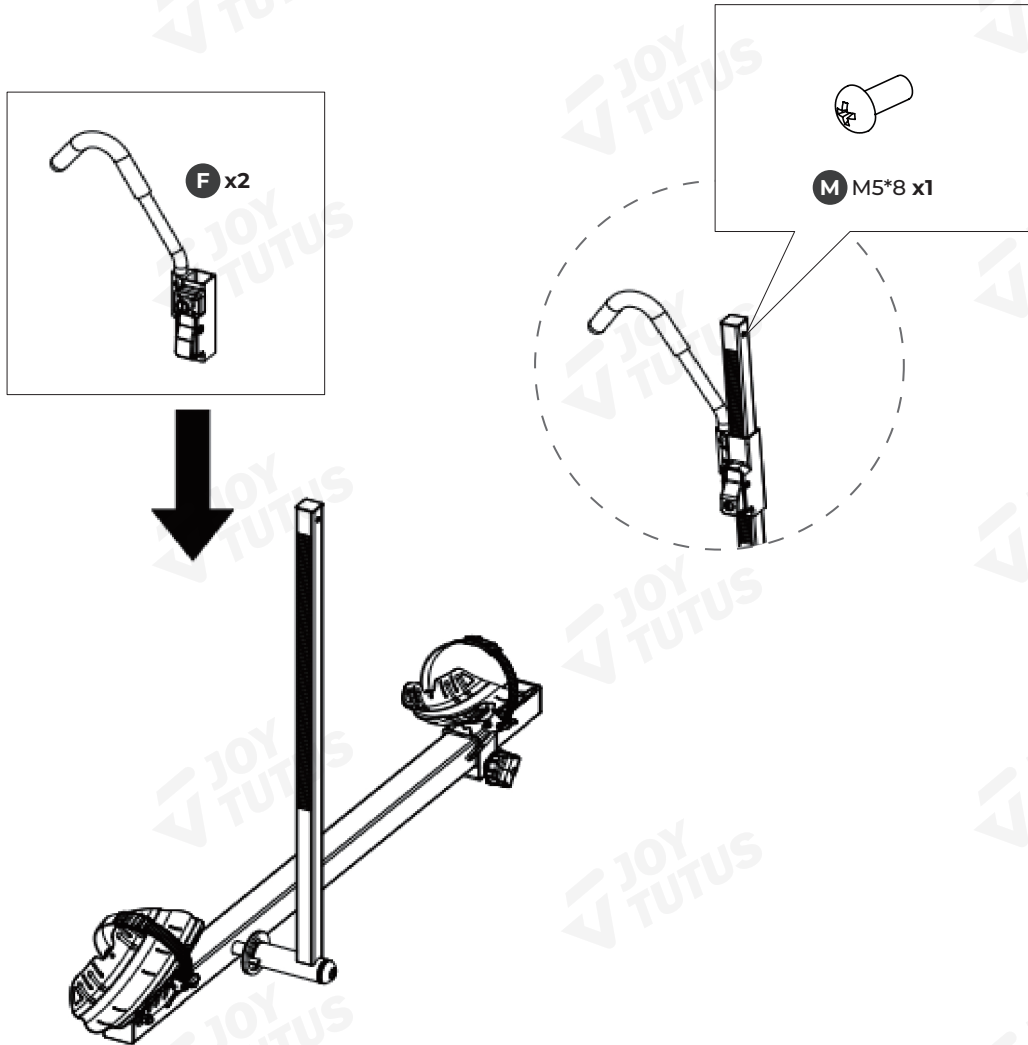
STEP 1 Install the Front Wheel Cradle.



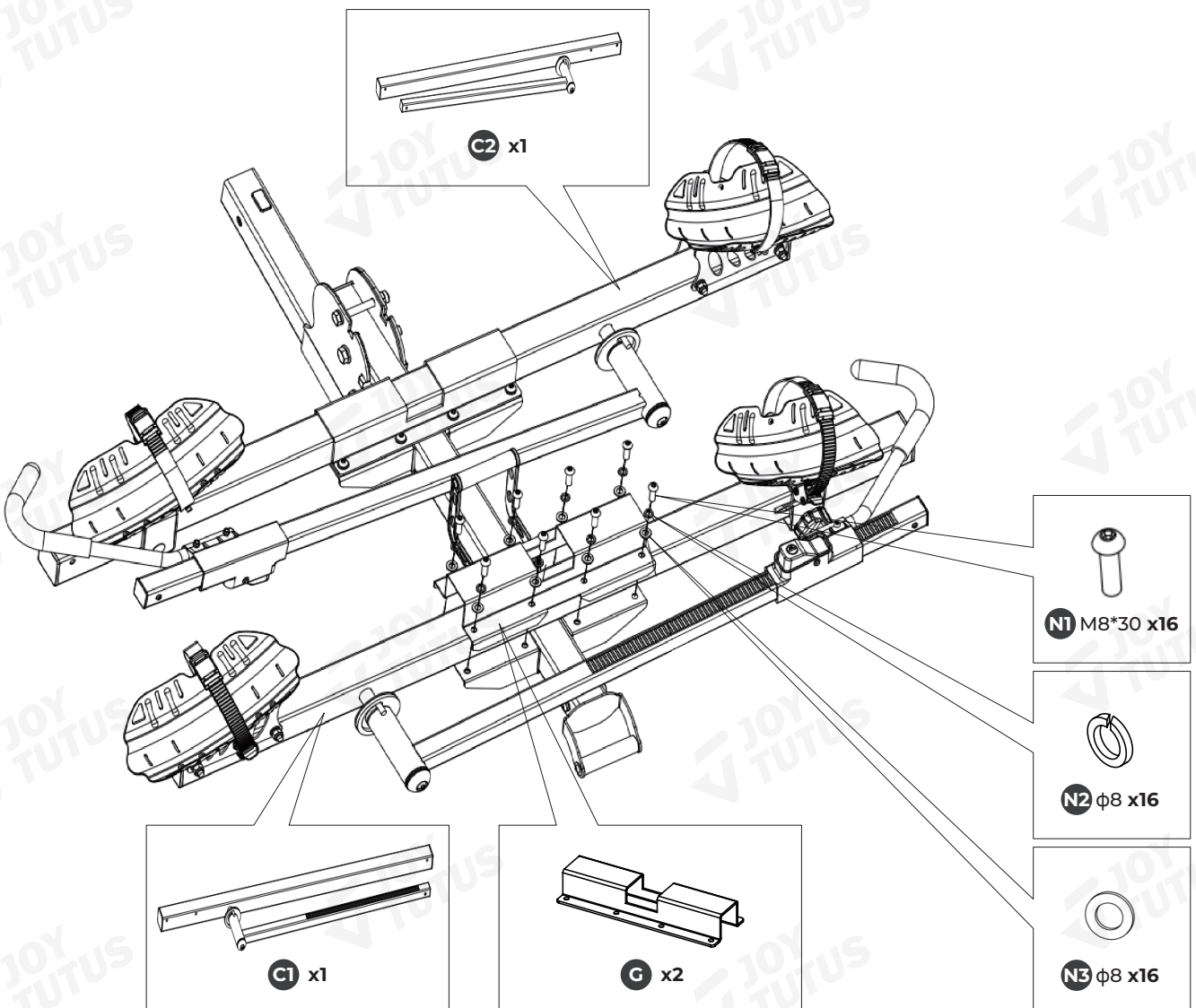
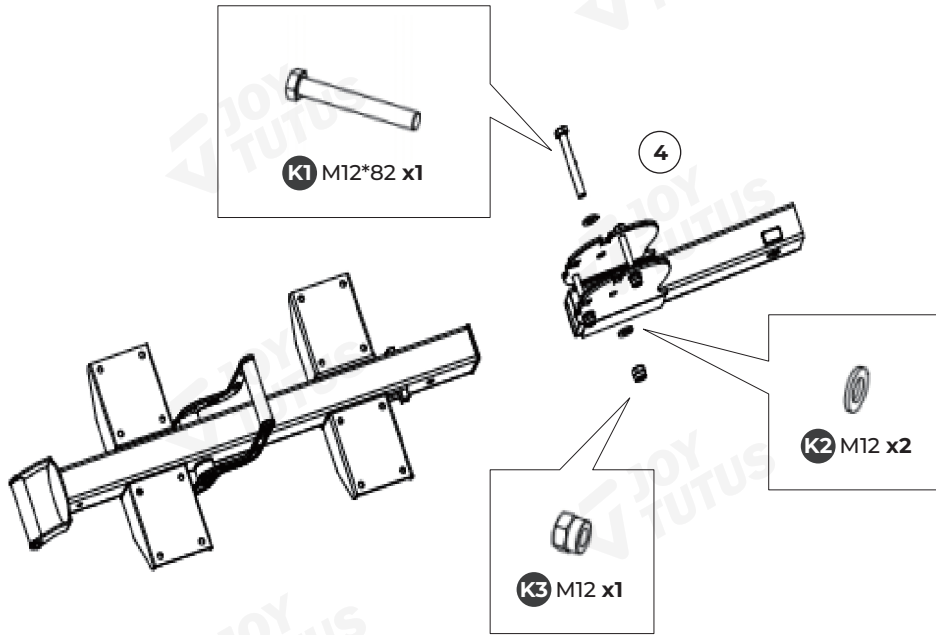
STEP 2 Install the Rear Wheel Cradle.



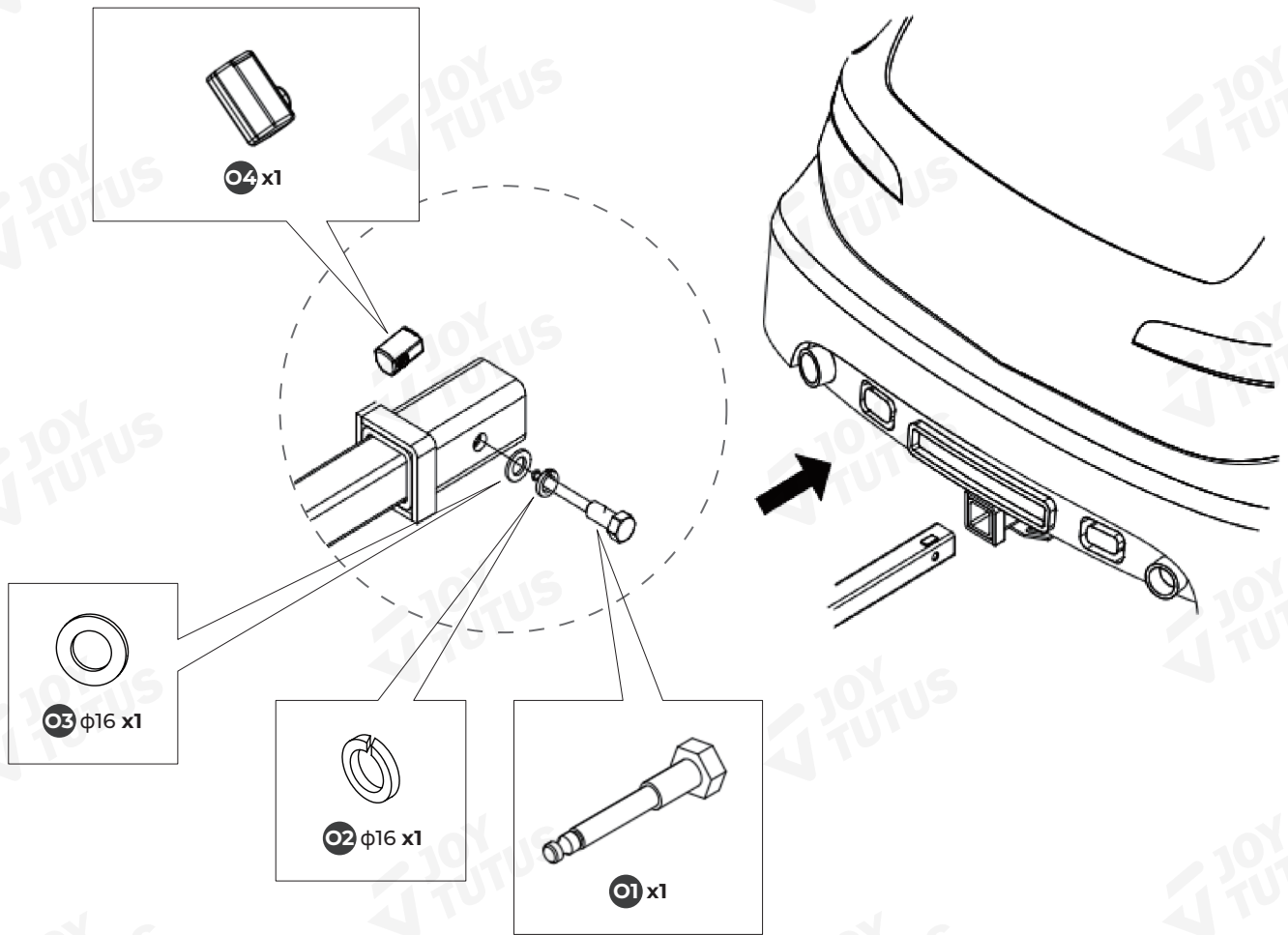
STEP 3 Install the Fixing Hook on the Swing Arm.



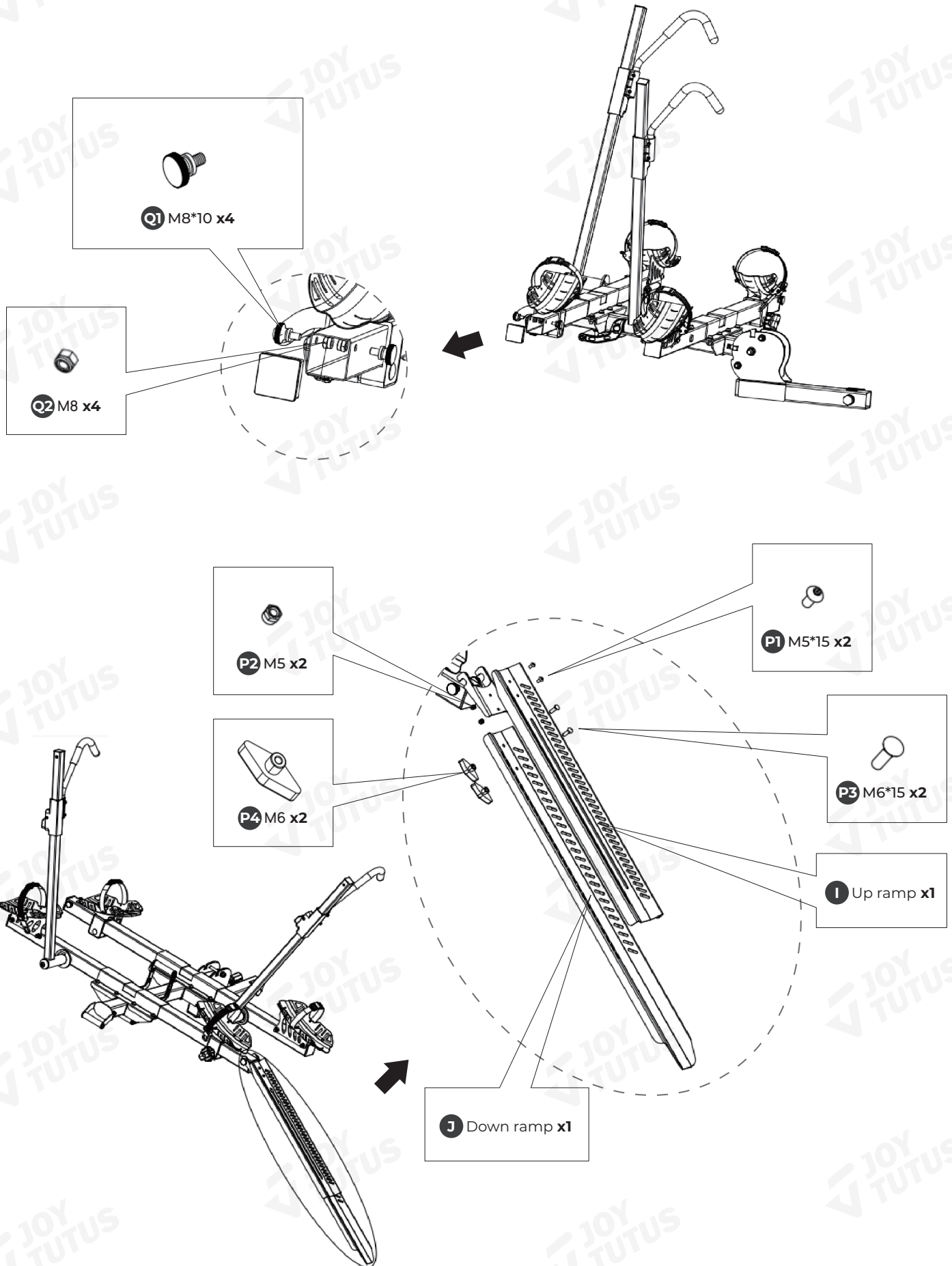
STEP 4 Fasten Crossbars to the Mainframe.



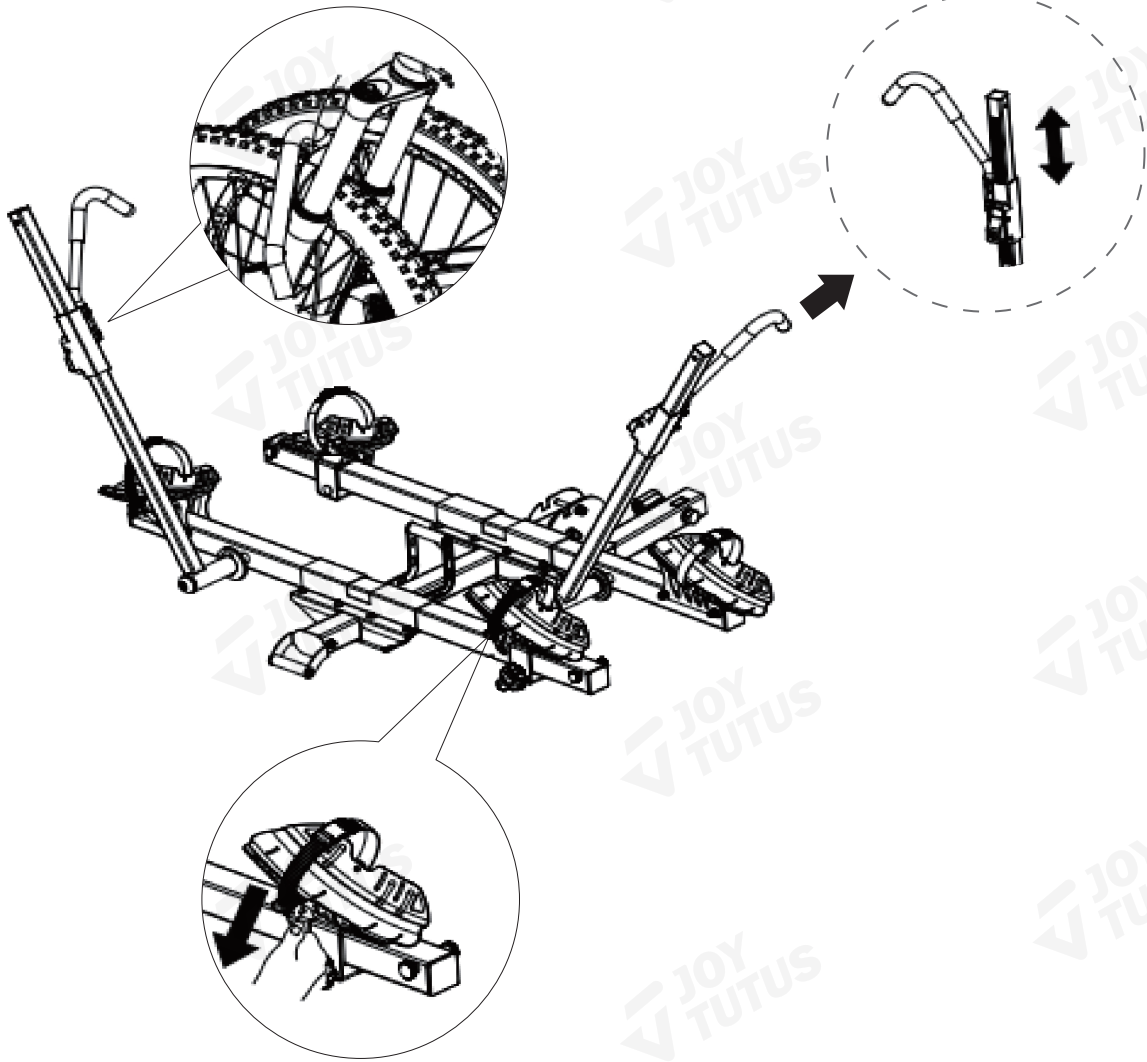
STEP 5 Attach the Bike Rack to the Hitch Receiver.



STEP 6 Ramp Installation.



STEP 7 Adjusting the Safety Cradles.



STEP 8 Safe Folding Procedure.

