

IMPORTANT

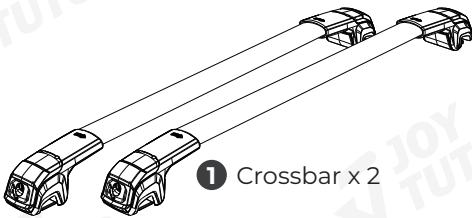
Before installation, please make sure that all accessories are ready. (As shown in the picture below).

NOTES

- 1) Make sure the vehicle is completely clean and dry in the area the part is to be installed.
- 2) Ensure the vehicle is properly protected in the area that the accessory is to be installed.
- 3) Any weight carried on the vehicle on vehicle will adversely affect its handling particularly in cornering or in a crosswind and the vehicle should therefore be driven with increased caution.
- 4) Loads must be evenly distributed and secured.

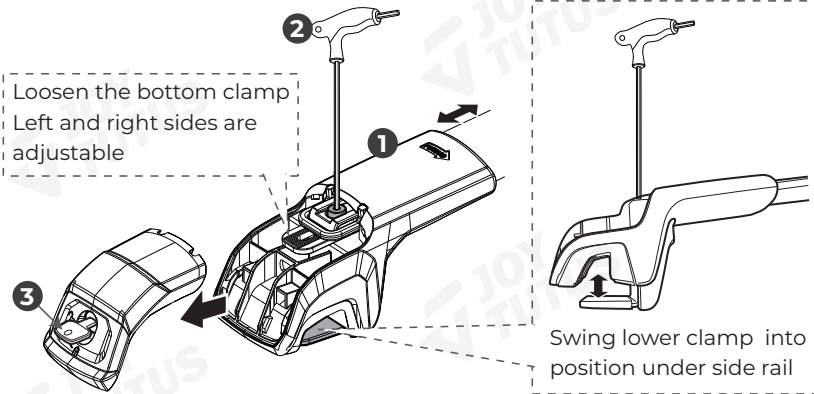
If you have any concern of installing or using this product Please feel free to contact us via service@joytutus.com

PRODUCT INFORMATION



INSTALLATION TIPS

STEP 1 Use the key to unlock the lock and remove the cover. Loosen the screw (do not remove)

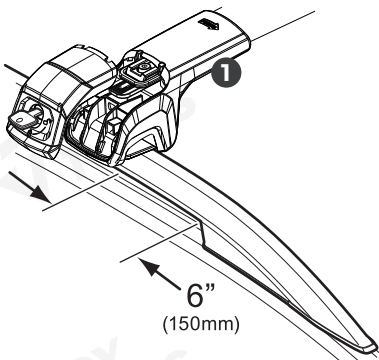


TIP

The buckle can be lifted and pushed into the slot. It can be threaded with self-provided ropes to secure items.

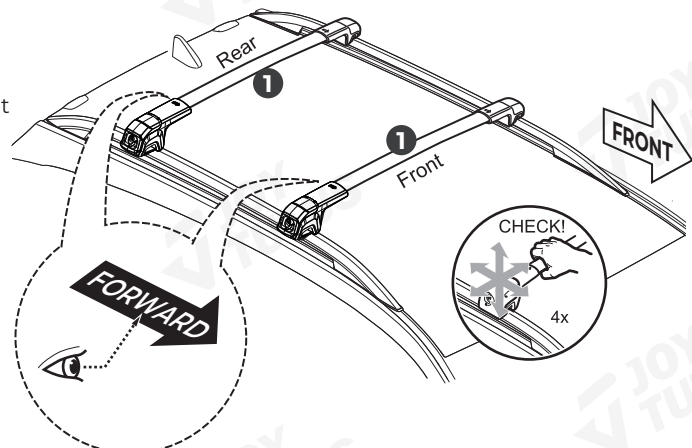
STEP 2

Put the cover back and lock it



STEP 3

Put the cover back and lock it



CUSTOMER SUPPORT



Contact us by email:
service@joytutus.com

JOYTUTUS help center:



<http://support.joytutus.com>