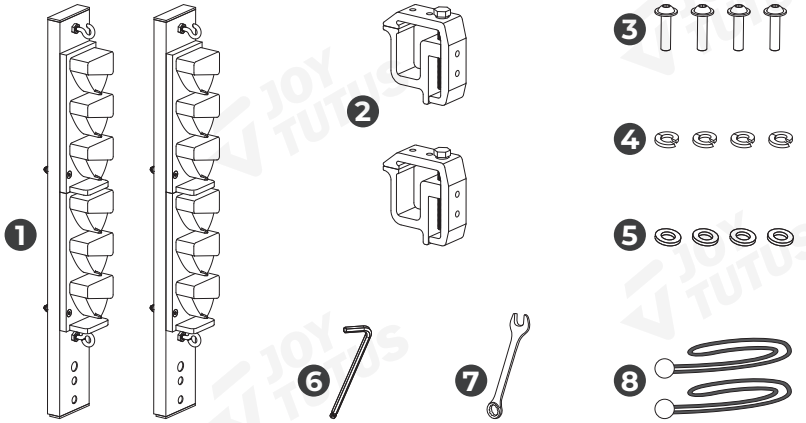


### IMPORTANT

Before installation, please make sure that all accessories are ready. (As shown in the picture below).

### PRODUCT INFORMATION

- |   |   |    |
|---|---|----|
| 1 | Fishing Rod Holder Assembly             | x2 |
| 2 | Fixed Mounting Clamp                    | x2 |
| 3 | M6*25 Socket Head Cap Screw with Washer | x4 |
| 4 | Spring Washer                           | x4 |
| 5 | Flat Washer                             | x4 |
| 6 | 4mm Allen Wrench                        | x1 |
| 7 | 13mm Combination Wrench                 | x1 |
| 8 | Ball Head Elastic Rope                  | x2 |



### INSTALLATION TIPS

#### METHOD 1: VERTICAL INSTALLATION

**STEP 1:** Use screw [3], spring washer [4], and flat washer [5] to assemble [1][2] as shown in the diagram.

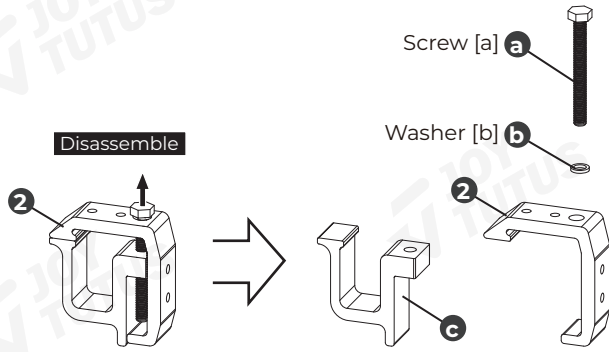
**STEP 2:** Disassemble [2] as shown in the diagram.

**STEP 3:** As shown in the diagram, use screw [a] and washer [b] to install parts [c] and [2] onto the vehicle bed frame.

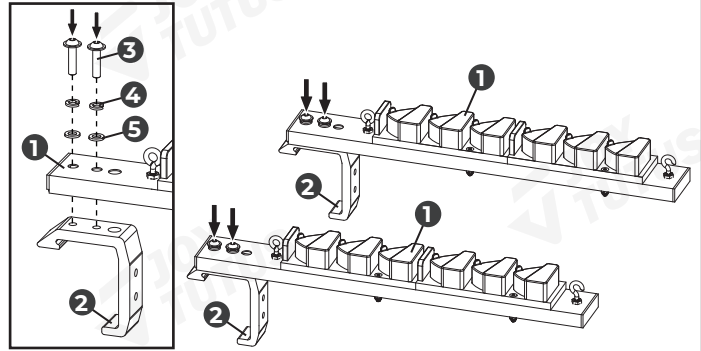
**STEP 4:** Based on your needs, insert your fishing rod and use the rope [8] as shown in the diagram to secure it.

## METHOD 2: HORIZONTAL INSTALLATION

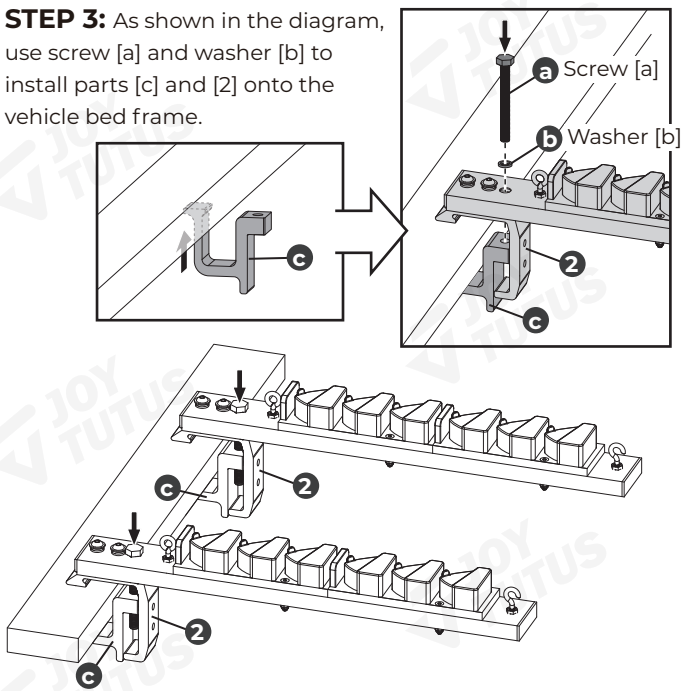
**STEP 1:** Disassemble [2] as shown in the diagram.



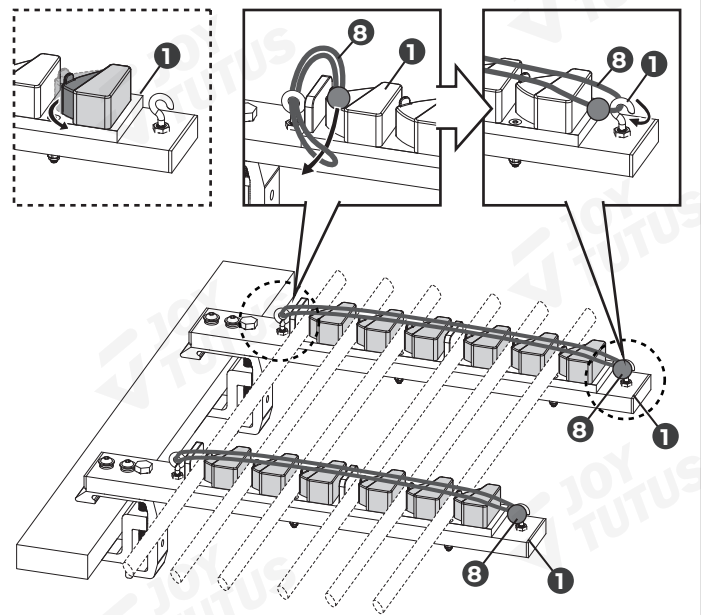
**STEP 2:** Use screw [3], spring washer [4], and flat washer [5] to assemble [1][2] as shown in the diagram.



**STEP 3:** As shown in the diagram, use screw [a] and washer [b] to install parts [c] and [2] onto the vehicle bed frame.



**STEP 4:** Based on your needs, insert your fishing rod and use the rope [8] as shown in the diagram to secure it.

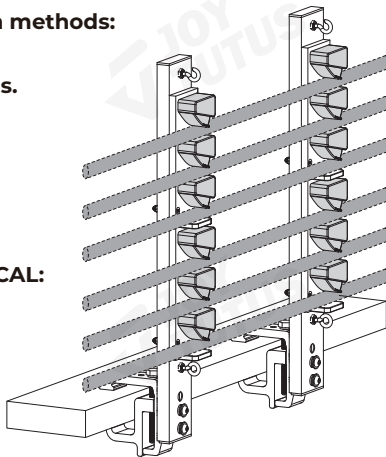


## FUNCTION

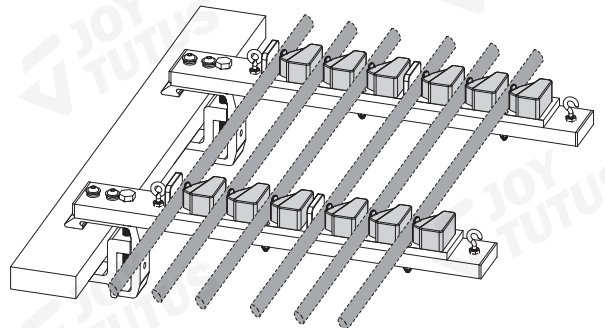
\*There are two installation methods:  
vertical and horizontal.

\*It can hold six fishing rods.

VERTICAL:



HORIZONTAL:



**Customer Support**



Contact us by email: [service@joytutus.com](mailto:service@joytutus.com)

JOYTUTUS help center:  
<http://support.joytutus.com>



If you have any questions, please visit Joytutus website for quick response.  
Web: [www.joytutus.com](http://www.joytutus.com)