

**✓ IMPORTANT**

Before installation, please make sure that all accessories are ready.  
(As shown in the picture below)

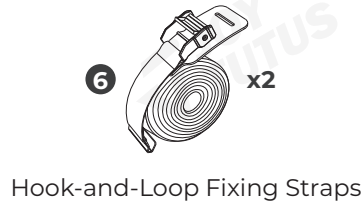
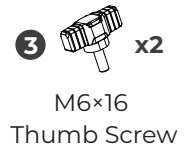
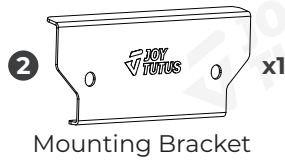
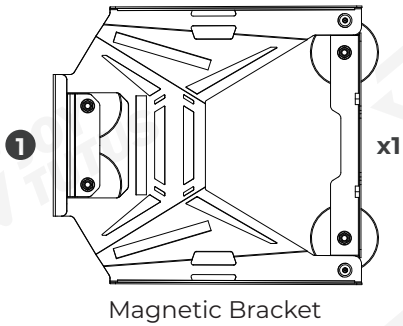
**✓ PRODUCT INFORMATION**

**CUSTOMER SUPPORT**

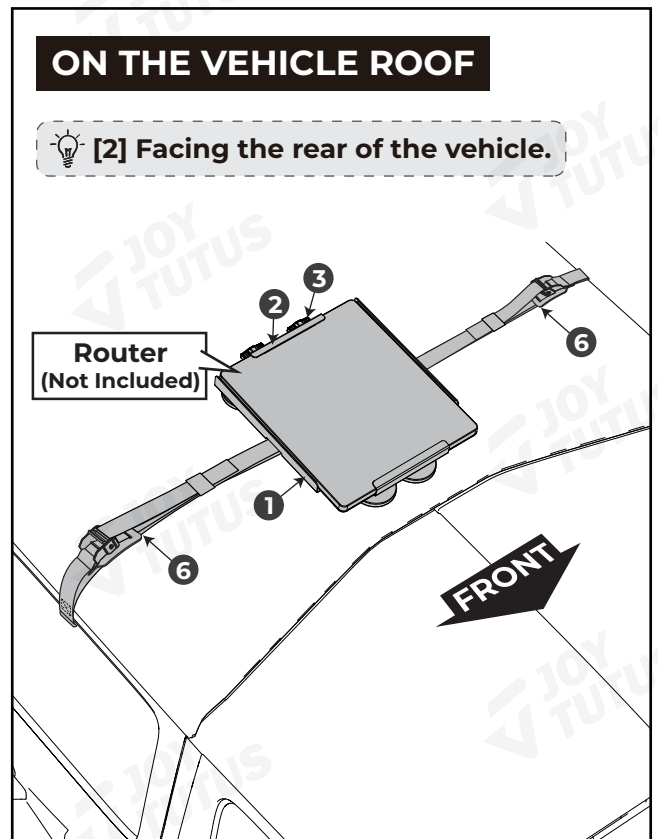
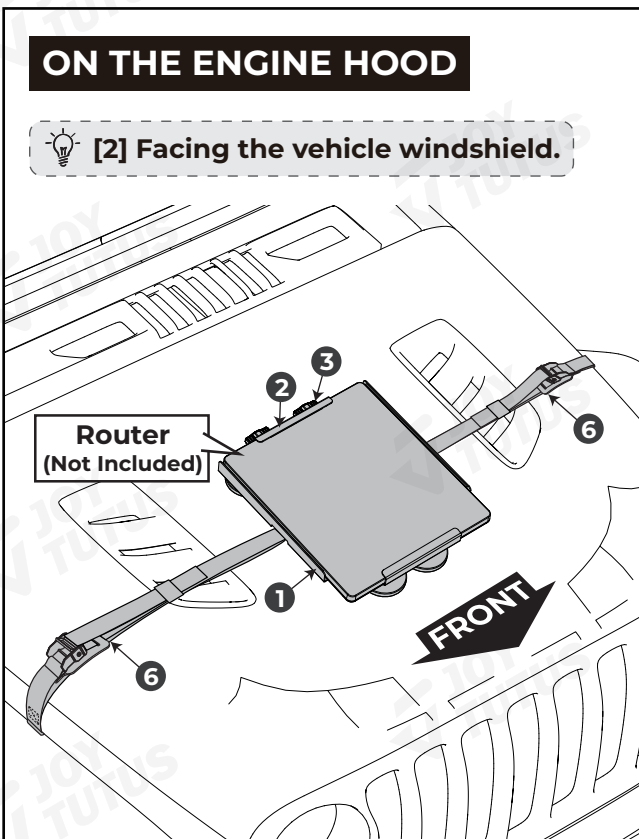
✉ Contact us by email:  
service@joytutus.com

JOYTUTUS help center:

<http://support.joytutus.com>



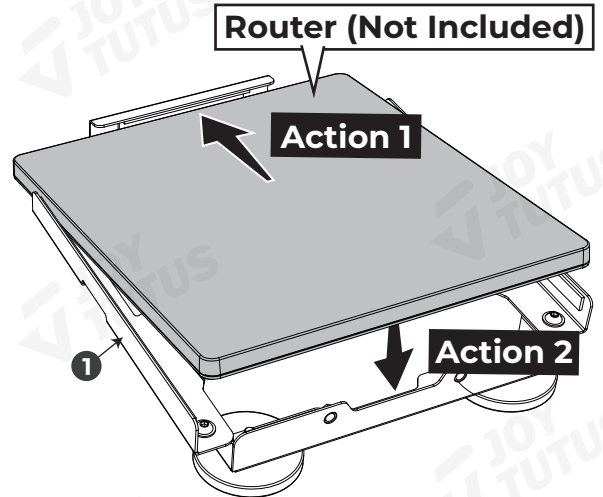
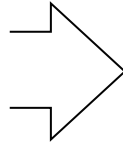
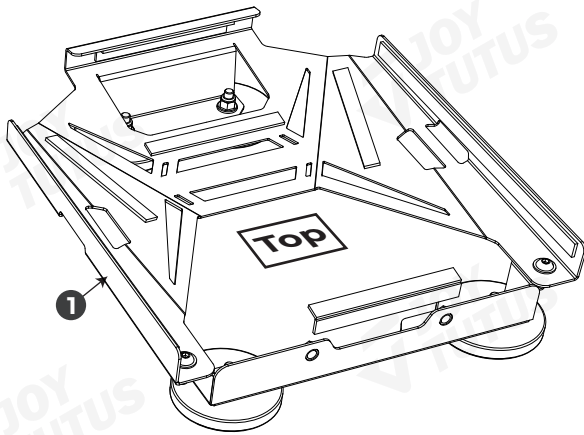
**✓ INSTALLATION COMPLETION DIAGRAM**



## ✓ INSTALLATION METHOD

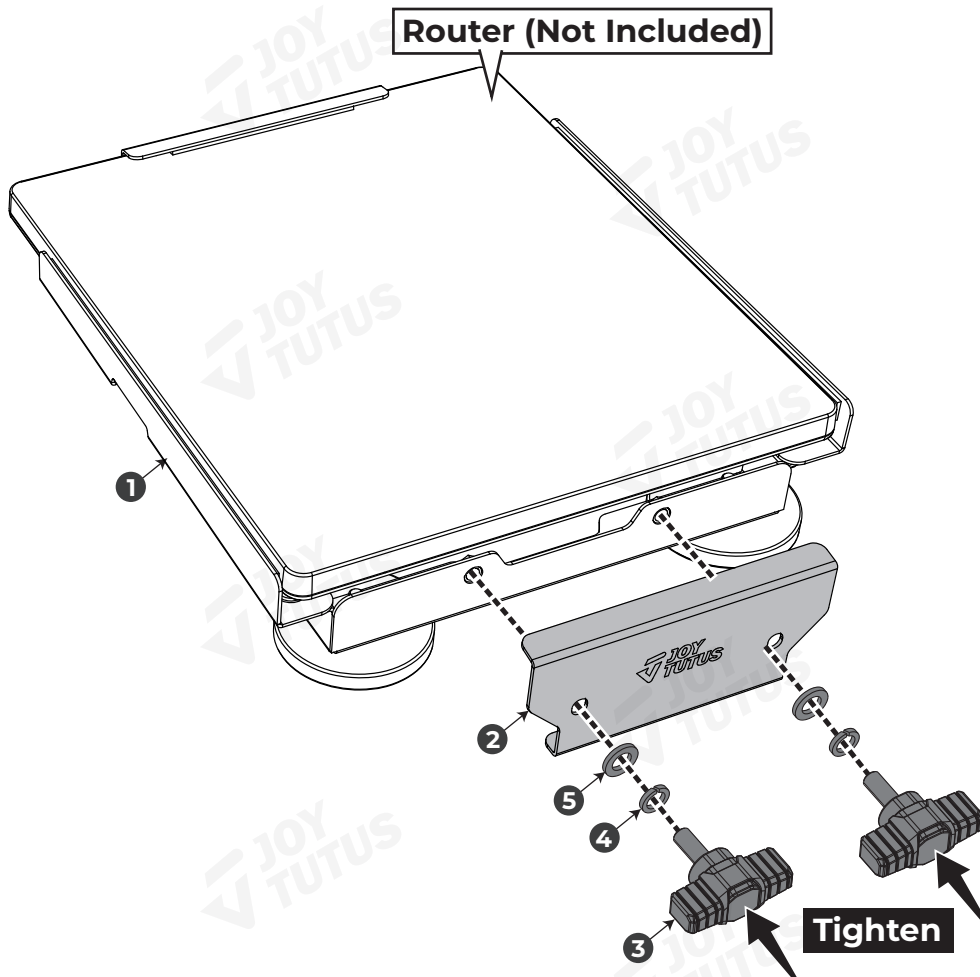
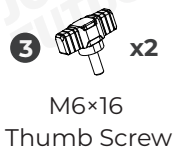
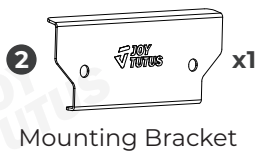
### STEP 1:

#### STEP 1-1:



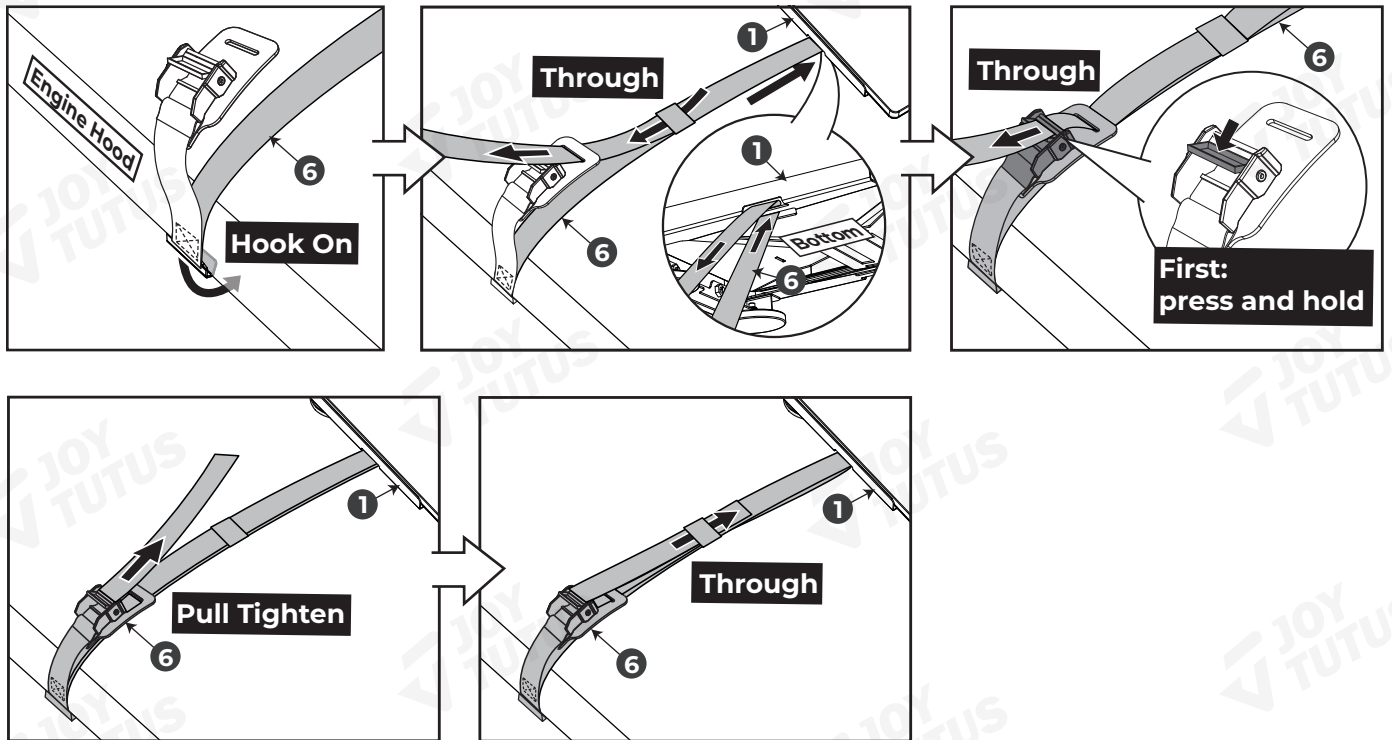
#### STEP 1-2:

##### Required accessories:

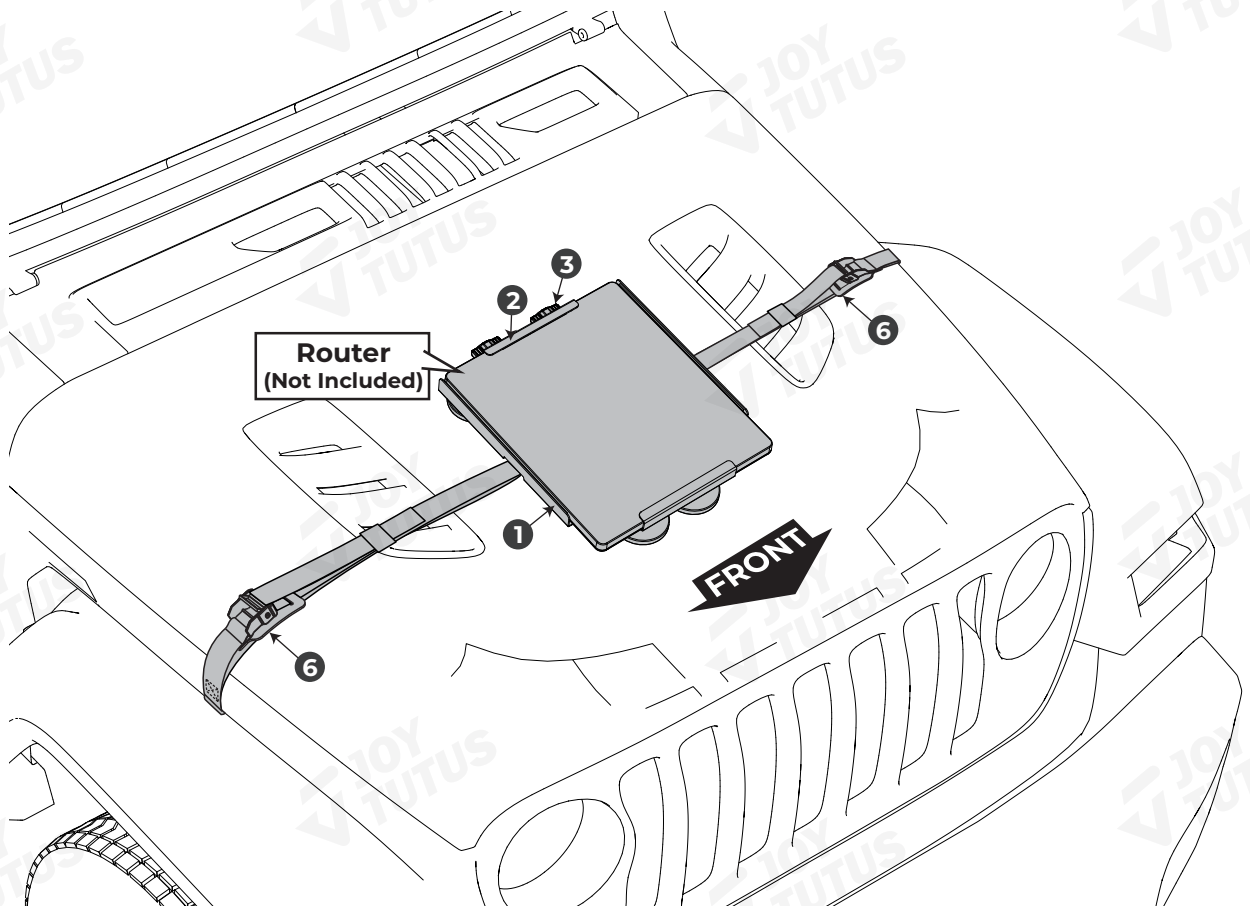


**STEP 2:** The following demonstrates the installation method for one side; the other side is identical.

### USAGE METHOD 1 : ON THE ENGINE HOOD



If the hook cannot latch onto the engine hood, open it, secure the hook, and then close the hood properly.



## USAGE METHOD 2: ON THE VEHICLE ROOF

