

✓ IMPORTANT

Before installation, please make sure that all accessories are ready.
(As shown in the picture below)

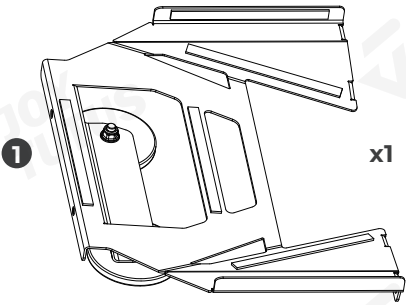
✓ PRODUCT INFORMATION

CUSTOMER SUPPORT

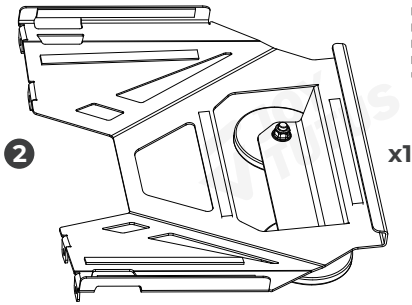
✉ Contact us by email:
service@joytutus.com

JOYTUTUS help center:

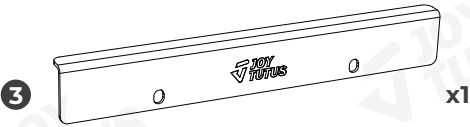
<http://support.joytutus.com>



Magnetic Bracket - Rear



Magnetic Bracket - Front



Mounting Bracket Assembly



M6×L16
Thumb Screw



M6 Split Lock Washer



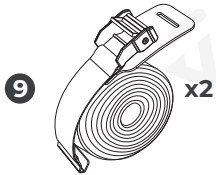
M6×D16×1
Metal Washer



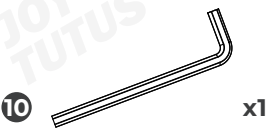
M6×L16
Socket Head Cap Screw



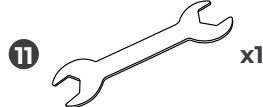
M6 Nut



Hook-and-Loop Fixing Straps



S=4 Hex Key

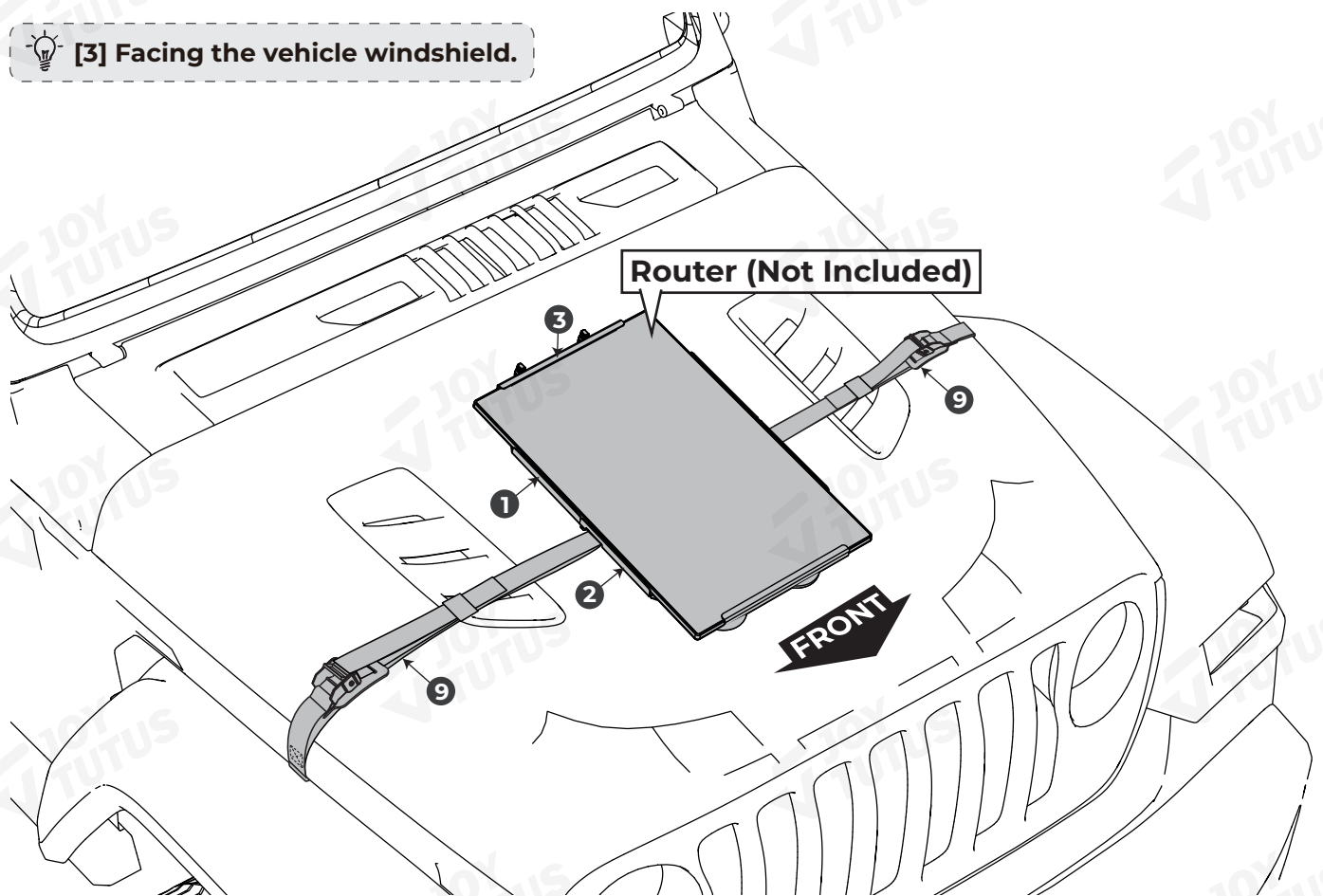


10-13mm
Double Open-End Wrench

✓ INSTALLATION COMPLETION DIAGRAM

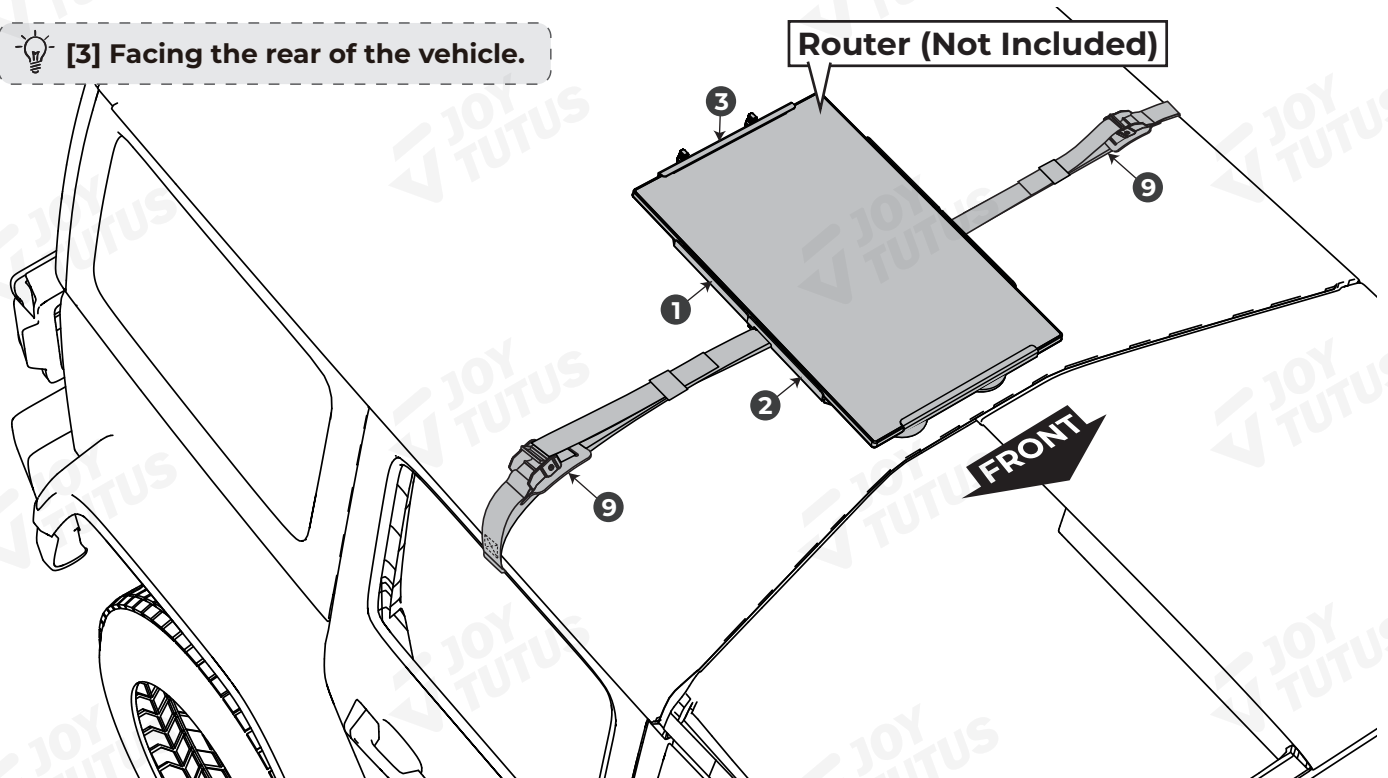
USAGE METHOD 1 : ON THE ENGINE HOOD

💡 [3] Facing the vehicle windshield.



USAGE METHOD 2 : ON THE VEHICLE ROOF

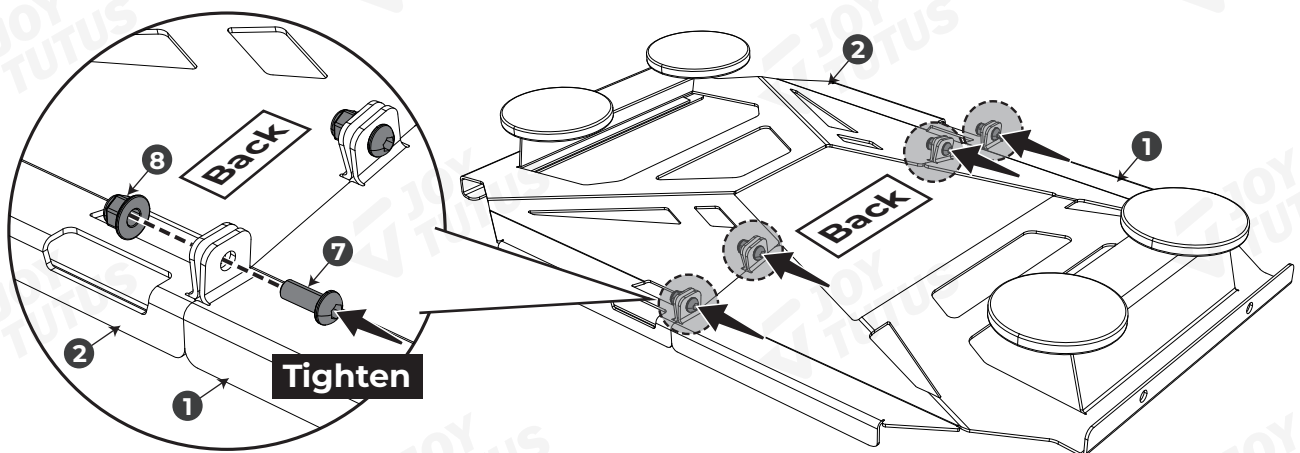
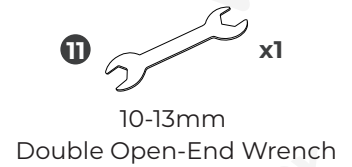
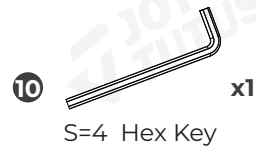
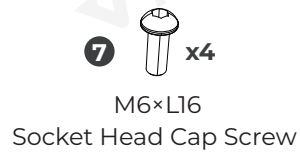
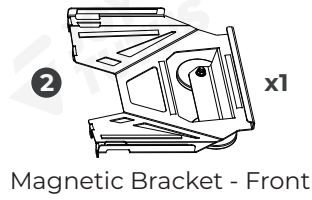
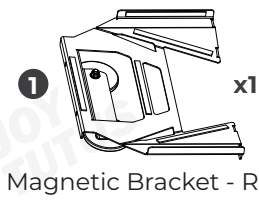
💡 [3] Facing the rear of the vehicle.



✓ INSTALLATION METHOD

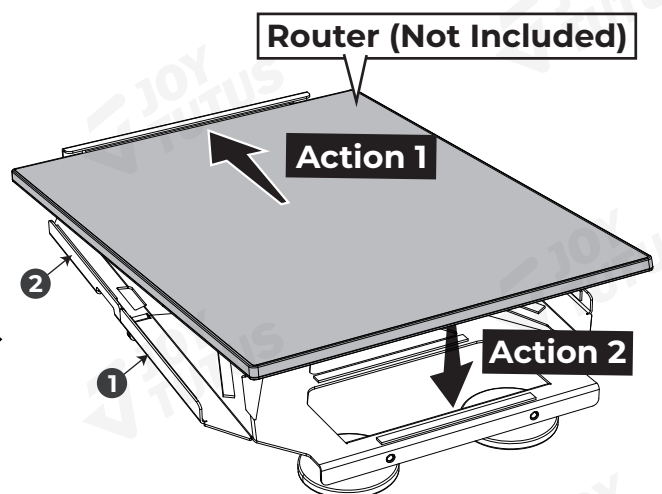
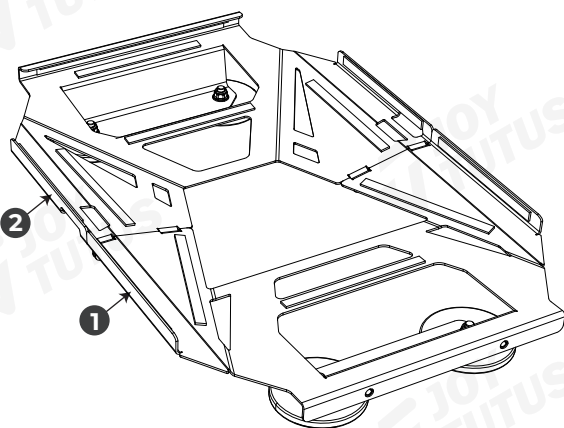
STEP 1:

Required accessories:



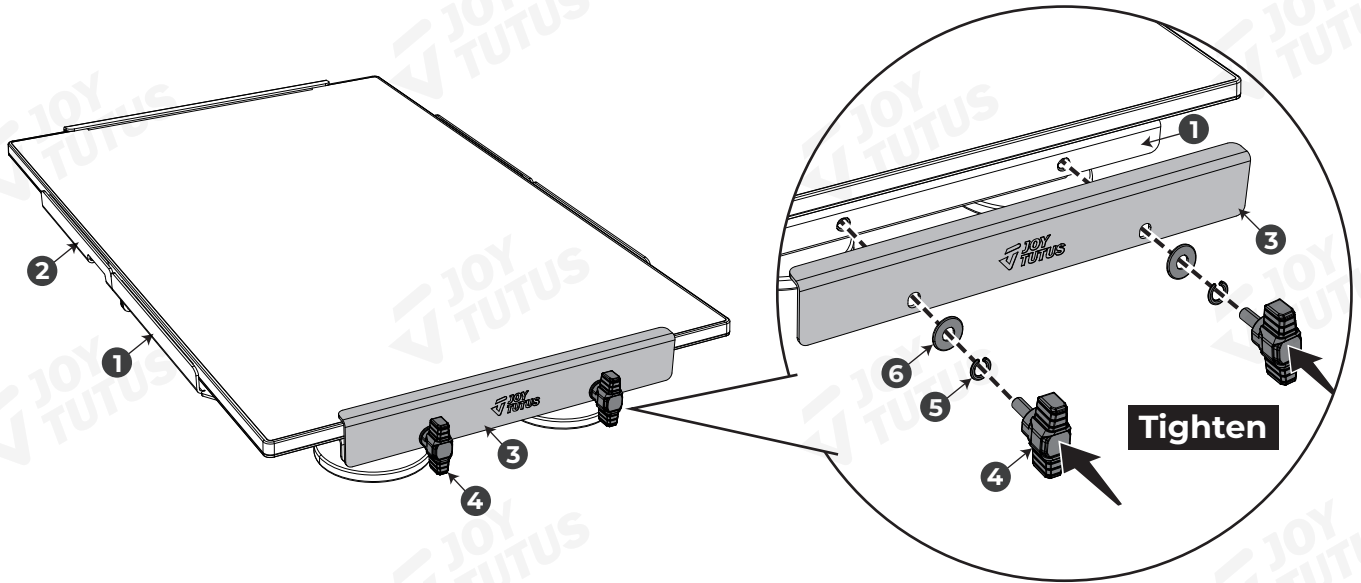
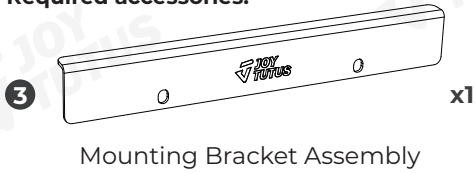
STEP 2:

STEP 2-1:



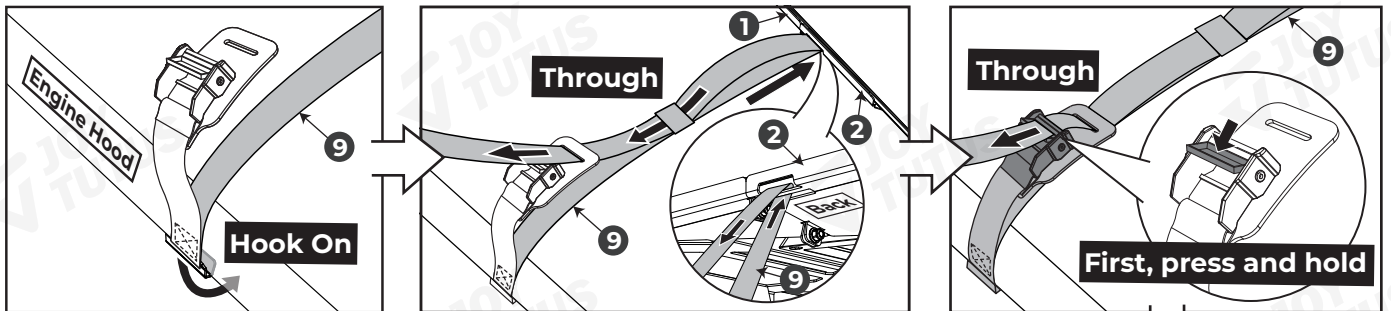
STEP 2-2:

Required accessories:

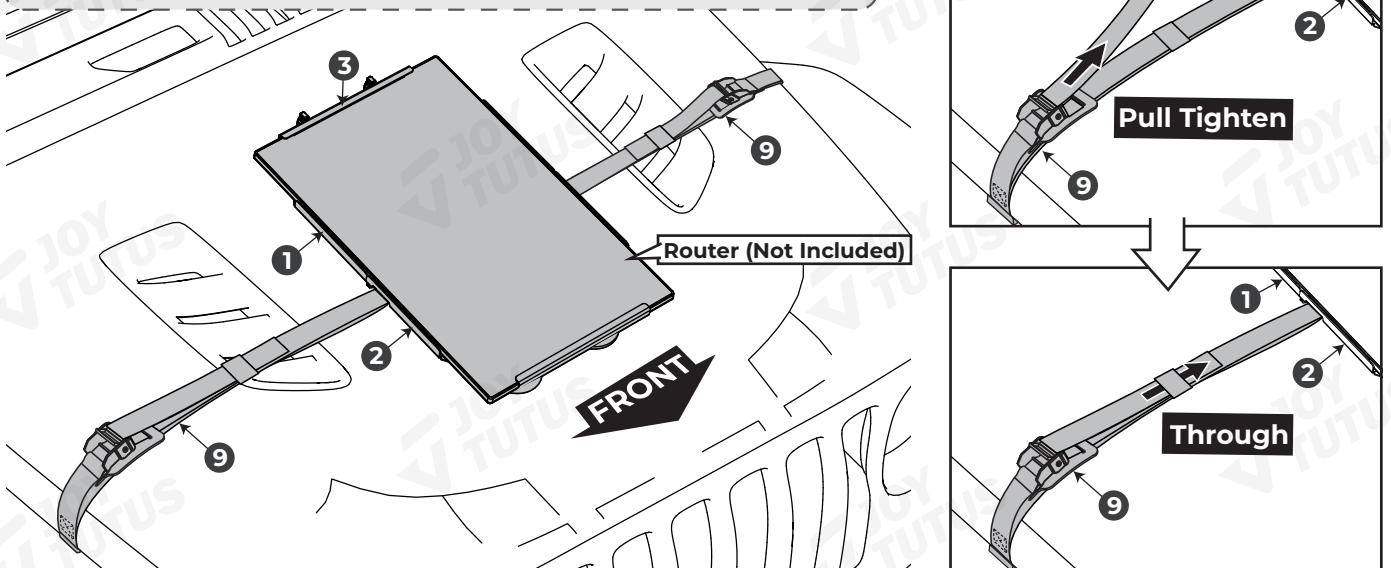


STEP 3: The following demonstrates the installation method for one side; the other side is identical.

USAGE METHOD 1 : ON THE ENGINE HOOD



If the hook cannot latch onto the engine hood, open it, secure the hook, and then close the hood properly.



USAGE METHOD 2: ON THE VEHICLE ROOF

