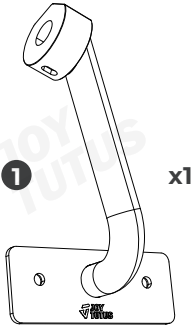


**✓ IMPORTANT**

Before installation, please make sure that all accessories are ready.  
(As shown in the picture below)

**✓ PRODUCT INFORMATION**



Welding Assembly



M8 Flat Washer  
(includes 1 spare)



M8 Spring Washer  
(includes 1 spare)



M8\*20 Screw  
(includes 1 spare)



S=5mm Hex Key

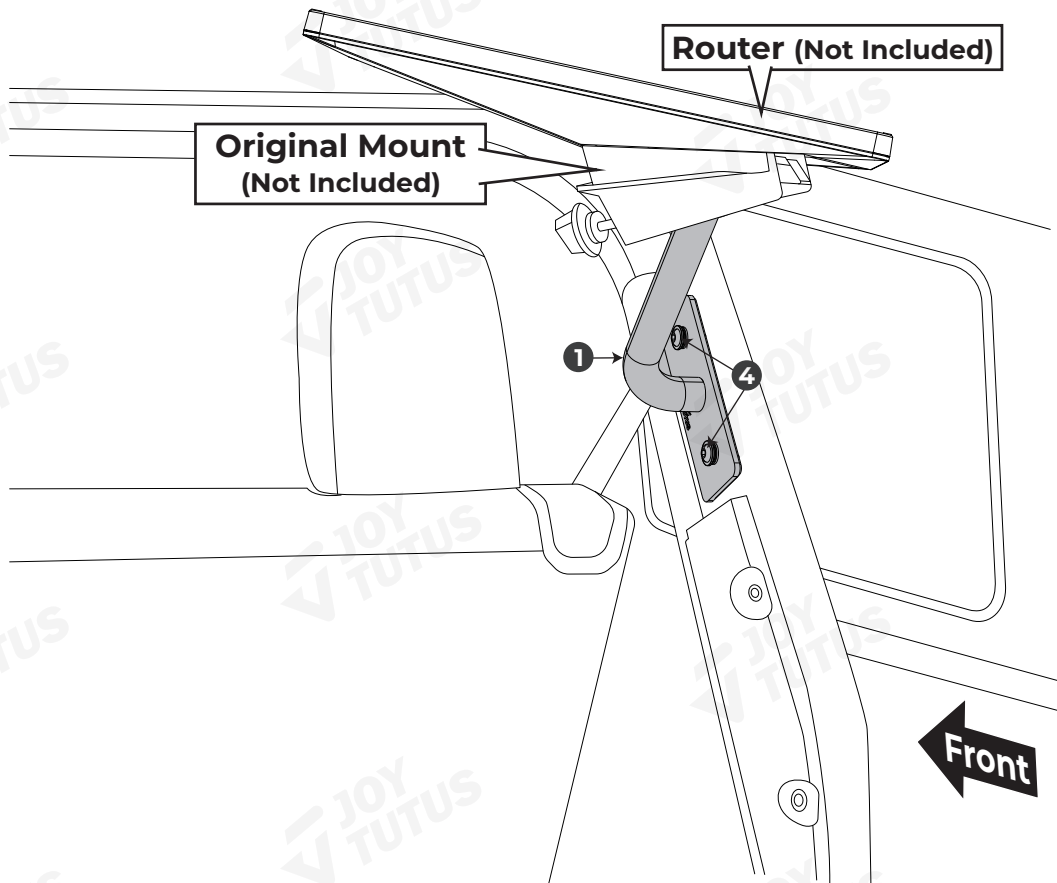
**CUSTOMER SUPPORT**

✉ Contact us by email:  
service@joytutus.com

JOYTUTUS help center:

<http://support.joytutus.com>

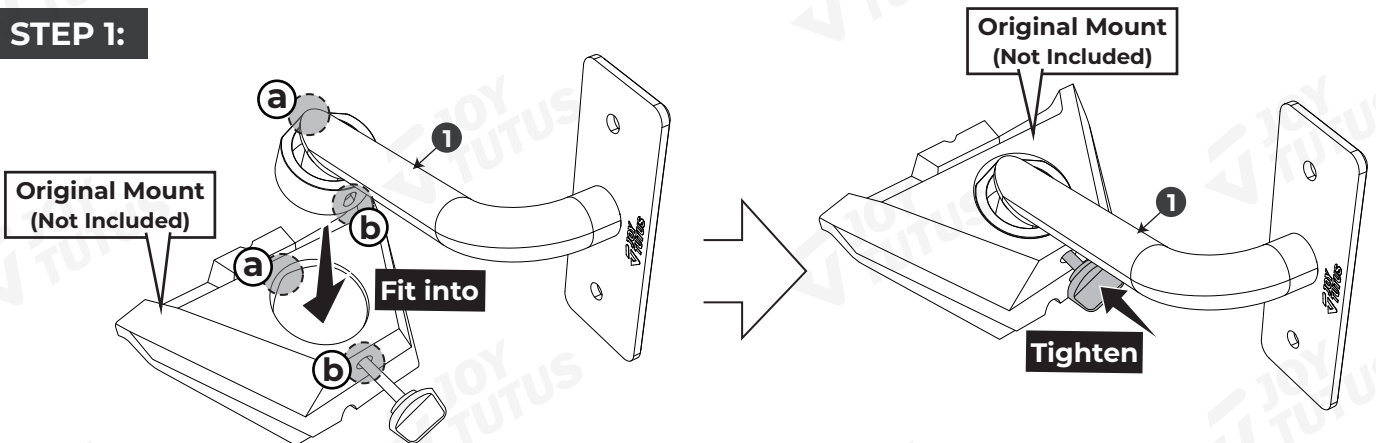
**✓ INSTALLATION COMPLETION DIAGRAM**



## ✓ INSTALLATION METHOD

The installation method is the same for both old and new router models.

### STEP 1:



💡 Ensure proper alignment at the corresponding positions of **(a)** and **(b)**.


### STEP 2:

Required accessories:

2  x2  
M8 Flat Washer

3  x2  
M8 Spring Washer

4  x2  
M8\*20 Screw

5  x1  
S=5mm Hex Key

