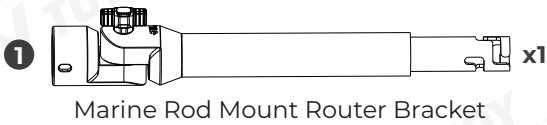


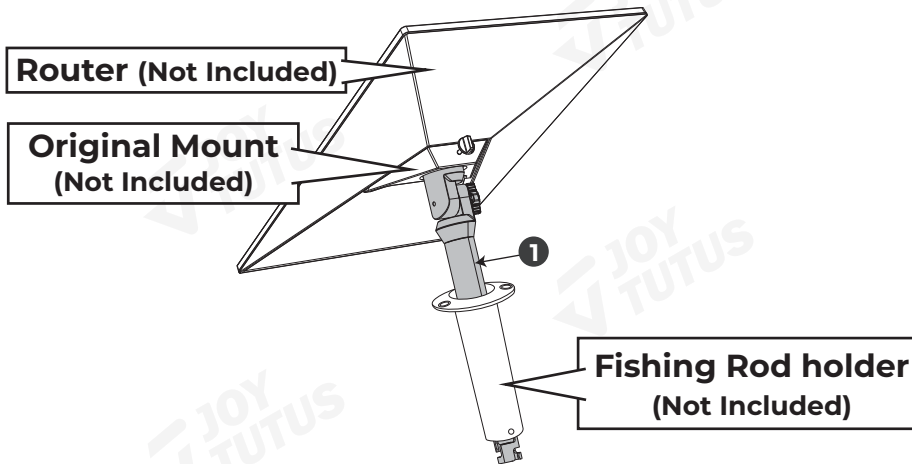
IMPORTANT

Before installation, please make sure that all accessories are ready.
(As shown in the picture below)

PRODUCT INFORMATION



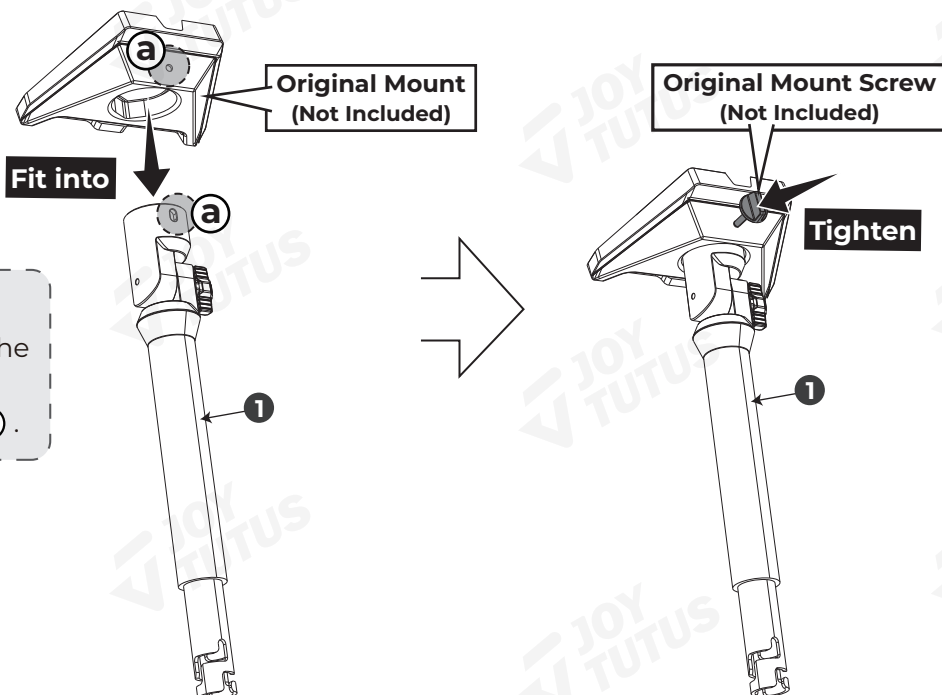
INSTALLATION COMPLETION DIAGRAM



INSTALLATION METHOD

The installation method is the same for both old and new router models.

STEP 1:



Ensure proper alignment at the corresponding positions of **(a)**.

CUSTOMER SUPPORT

Contact us by email:
service@joytutus.com

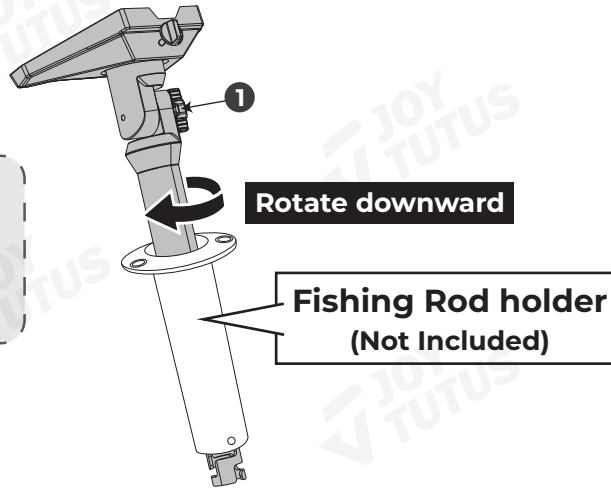
JOYTUTUS help center:



<http://support.joytutus.com>

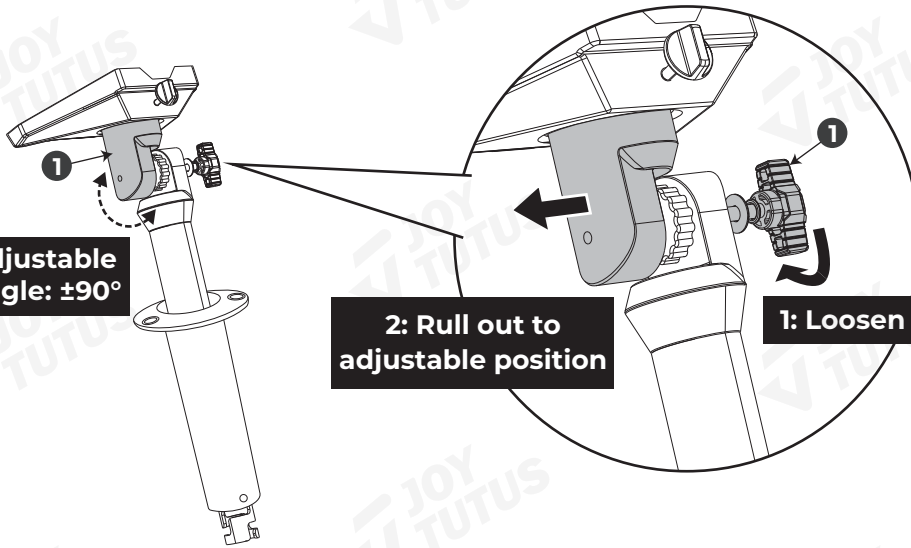
STEP 2:

[1] After inserting into the first slot of the Fishing Rod holder, rotate 180° clockwise until it locks in place.



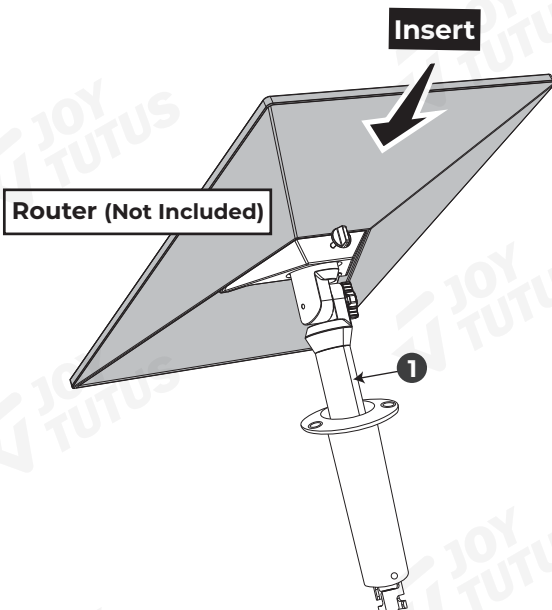
STEP 3:

Adjustable angle: $\pm 90^\circ$



After adjusting to the appropriate angle, tighten the screw.

STEP 4:



REMOVAL METHOD

