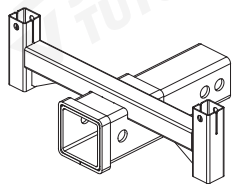


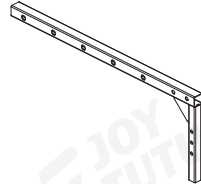
IMPORTANT

Before installation, please make sure that all accessories are ready. (As shown in the picture below).

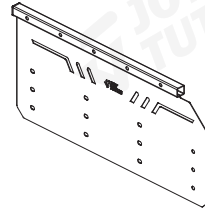
PRODUCT INFORMATION



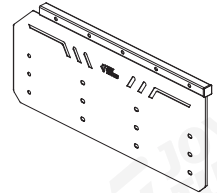
1 Transition pipe x1



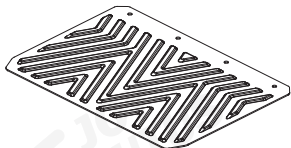
2 Adjustment pipe x2



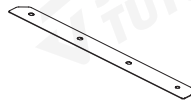
3 Fixed assembly (left) x1



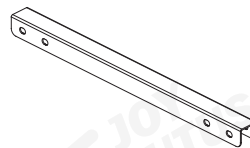
4 Fixed assembly (right) x1



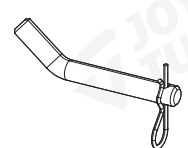
5 Mudguard x2



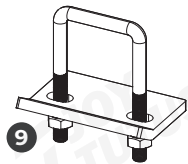
6 Pressure plate x2



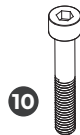
7 U-shaped connecting piece x1



8 Tow hook pin x1



9 Tow hook fastener x1



10 M8*50
Hexagon socket head cap screw x3
(Includes 1 spare part)



11 M8*50
Hexagon socket button head flange screw x5
(Includes 1 spare part)



12 M8*40
Hexagon socket head cap screw x5
(Includes 1 spare part)



13 M8*20
Hexagon socket button head flange screw x9
(Includes 1 spare part)



14 M8 nut x20
(Includes 2 spare parts)



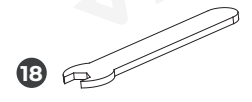
15 S5 hex wrench x1



16 S6 hex wrench x1



17 13mm open-end wrench x1



18 17mm open-end wrench x1

Customer Support



Contact us by email: service@joytutus.com

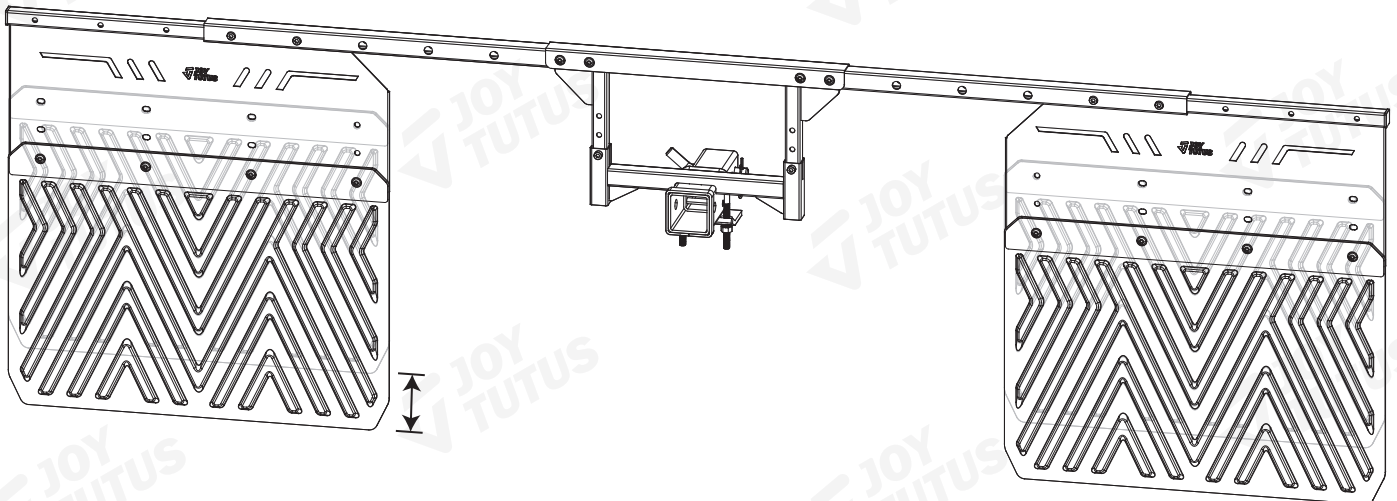
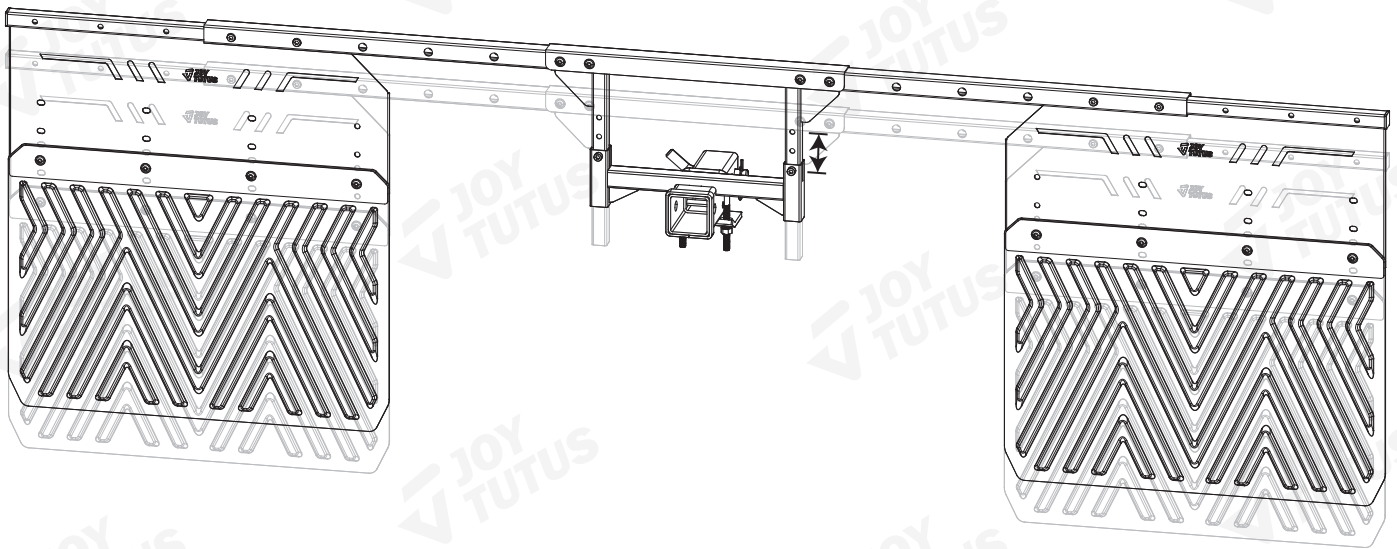
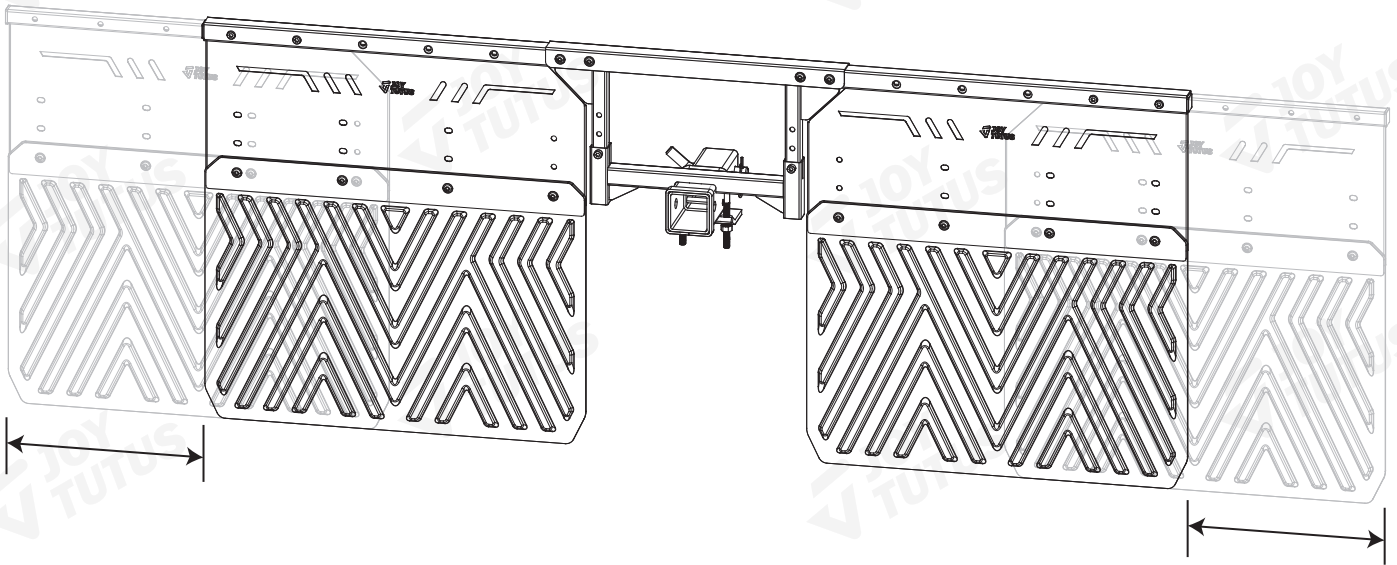
JOYTUTUS help center:
<http://support.joytutus.com>



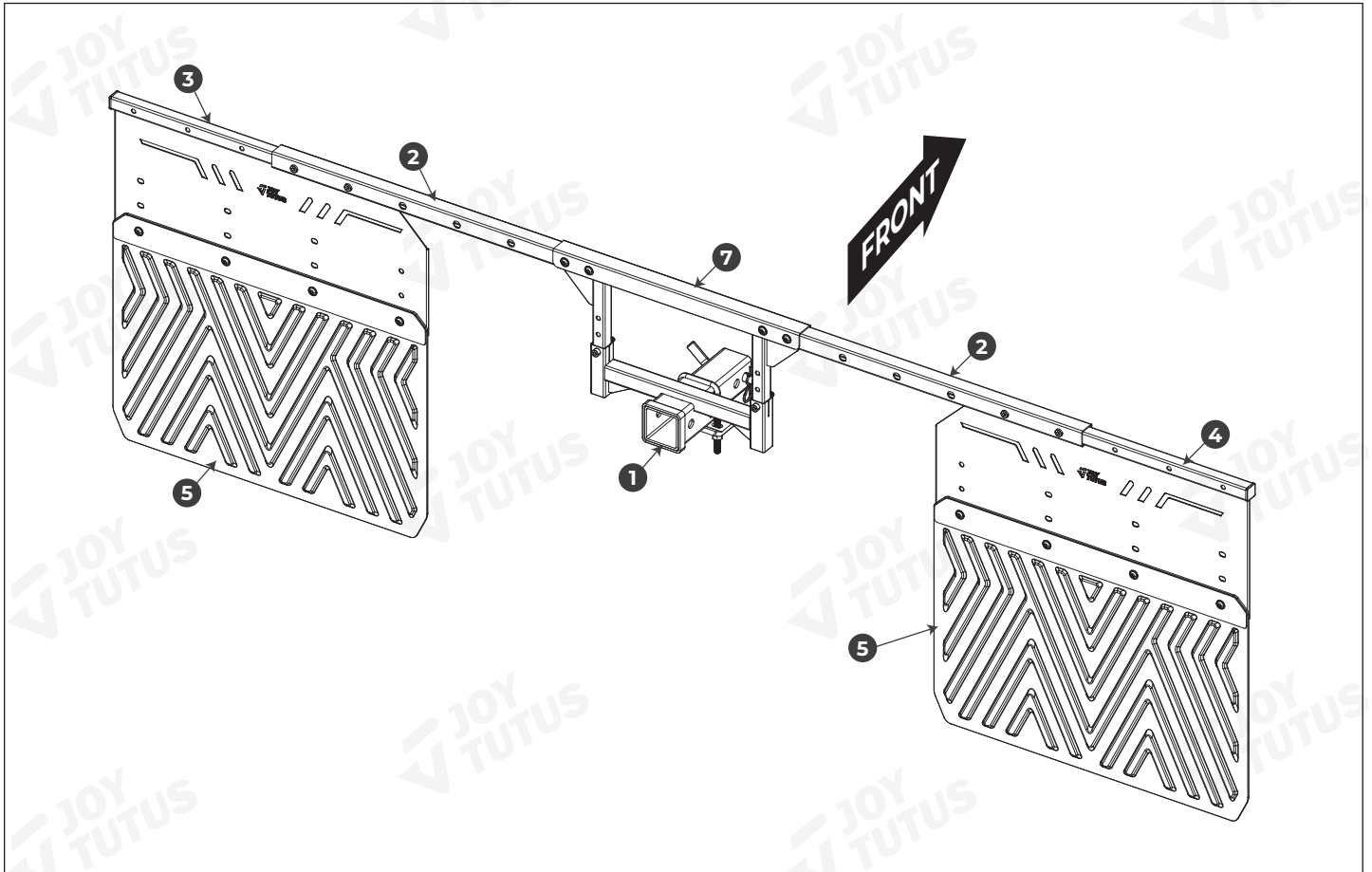
FUNCTION

Fully Adjustable Design:

Customize height and width to fit any truck, SUV, or towing setup. Prevents dragging and ensures optimal coverage



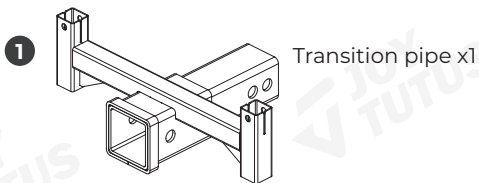
✓ INSTALLATION COMPLETION DIAGRAM



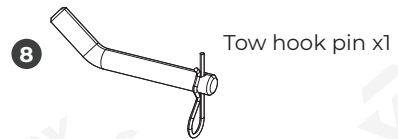
✓ INSTALLATION TIPS

STEP 1: Insert the adapter tube set [1] into the trailer hitch receiver hole and secure it with the tow hook pin [8].

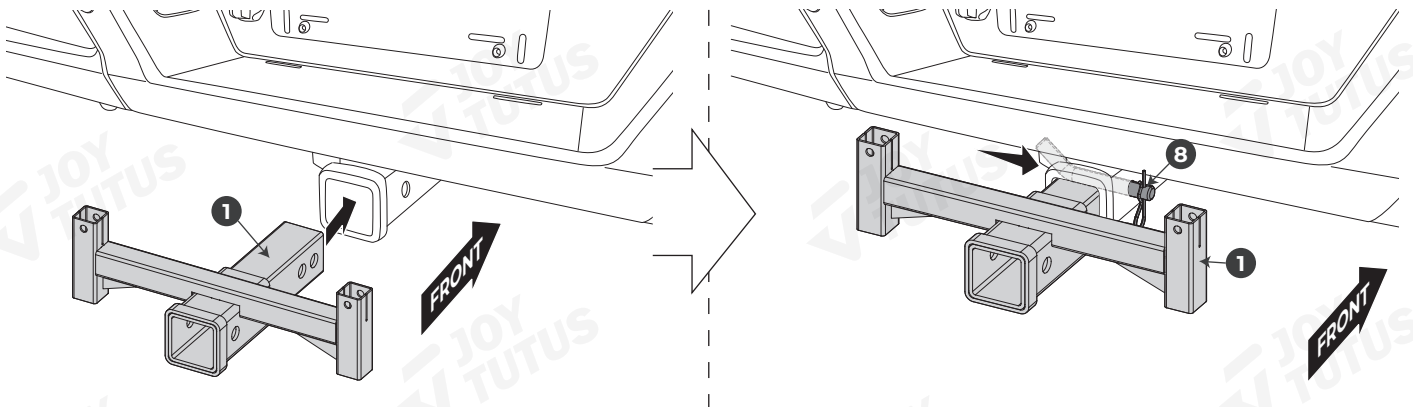
Required accessories:



Transition pipe x1

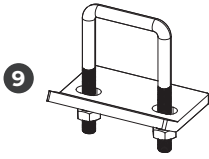


Tow hook pin x1

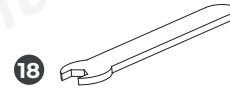


STEP 2: Use [18] to install accessory [9], securing [1] completely to the vehicle.

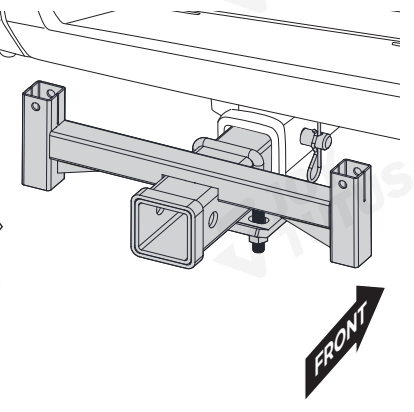
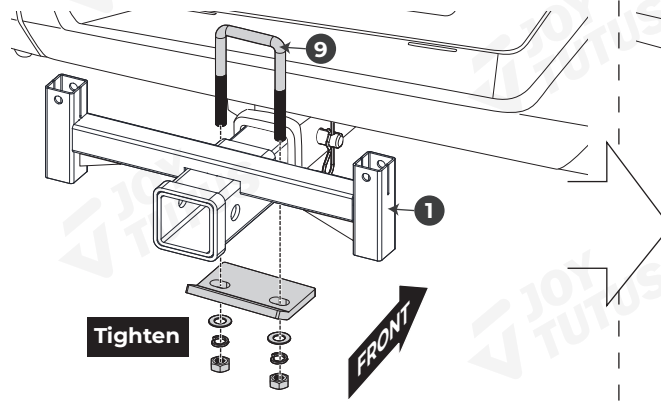
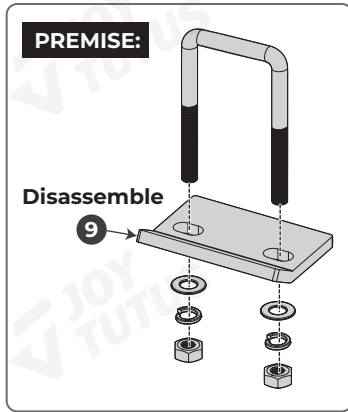
Required accessories:



Tow hook fastener x1

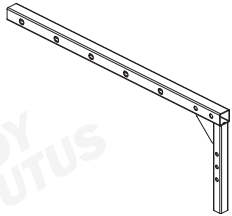


17mm open-end wrench x1

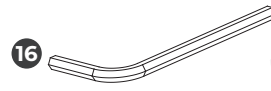
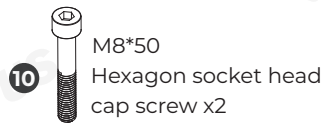


STEP 3: Use tools [16] and [17] to install accessories [10] and [14]. Select the approximately suitable height adjustment hole to secure [2] onto [1]. At this point, the screws do not need to be fully tightened.

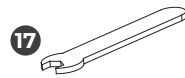
Required accessories:



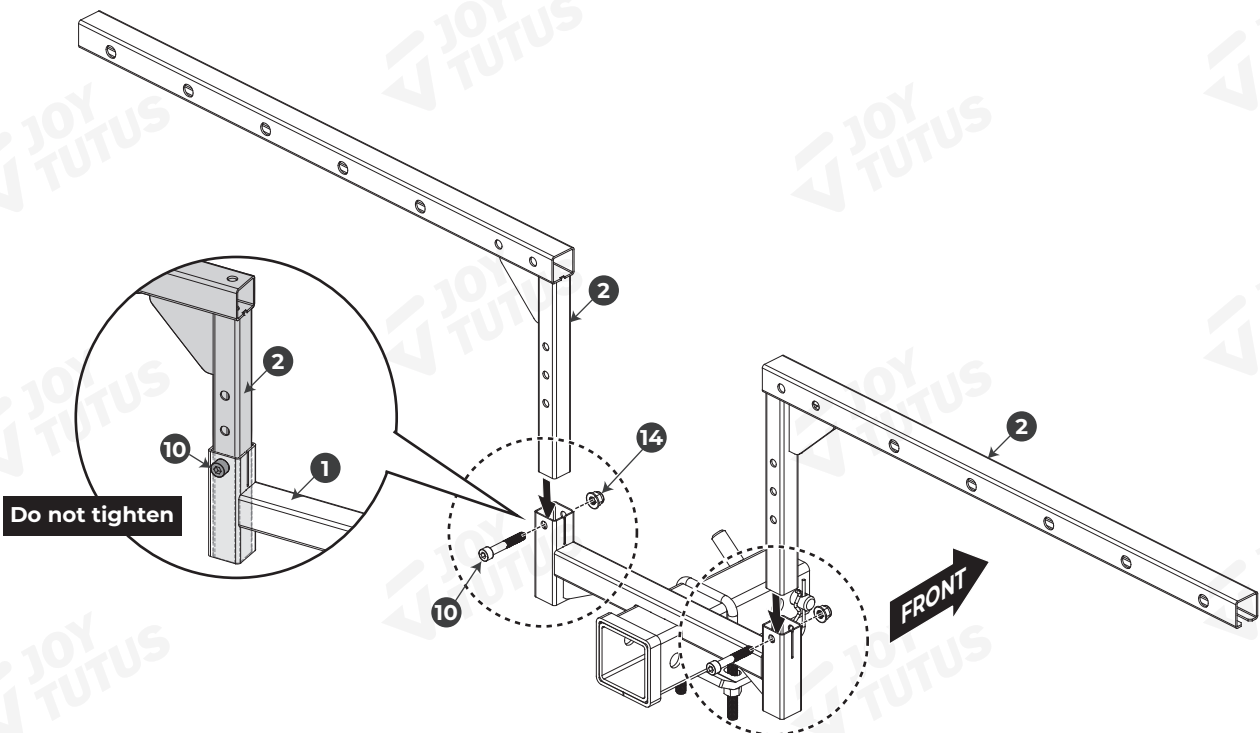
Adjustment pipe x2



S6 hex wrench x1

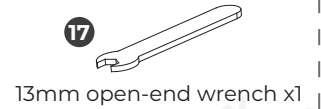
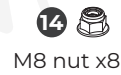
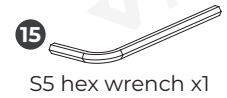
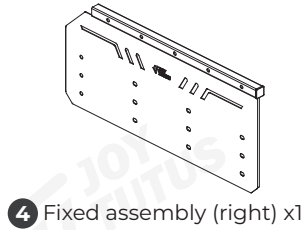
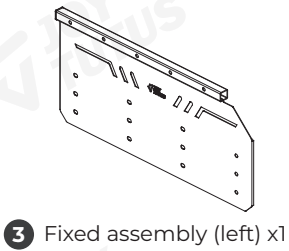


13mm open-end wrench x1



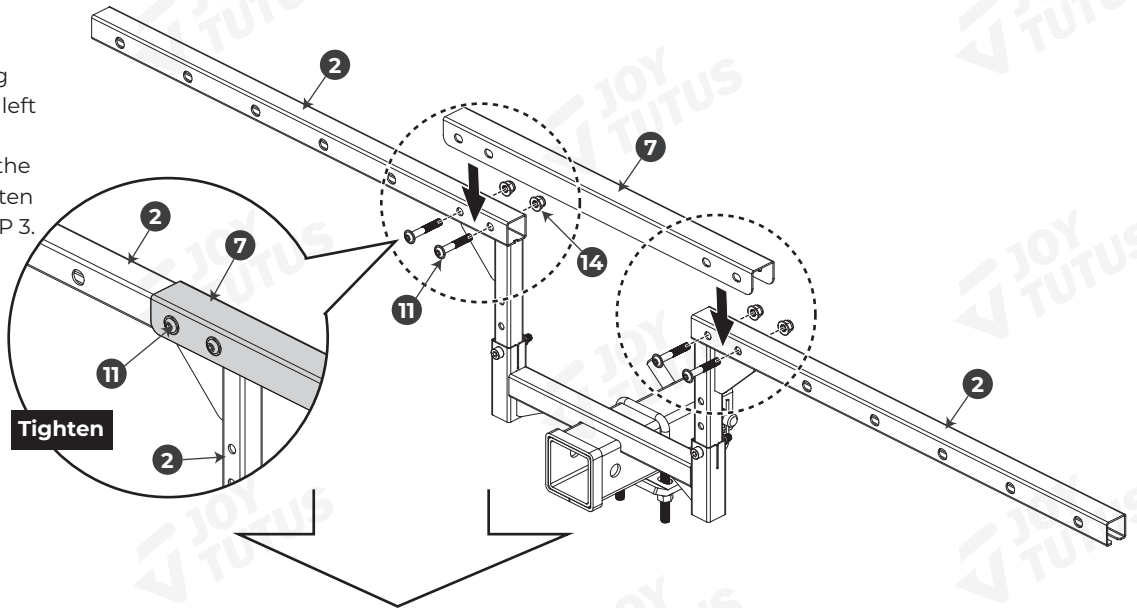
STEP 4:

Required accessories:



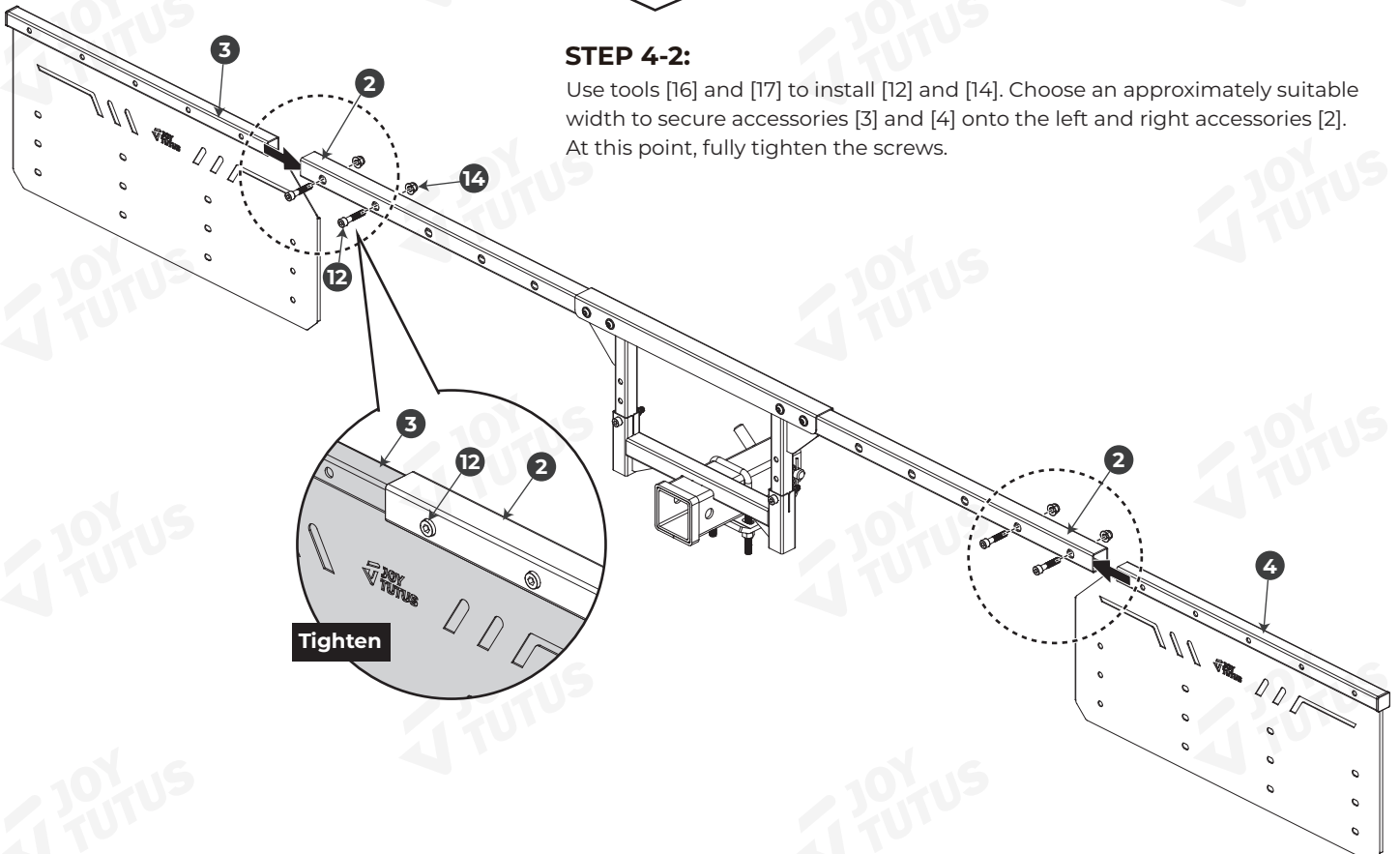
STEP 4-1:

Use tools [15] and [17] to install [11] and [14], securing accessory [7] between the left and right accessories [2]. At this point, fully tighten the screws, and then fully tighten the screws involved in STEP 3.



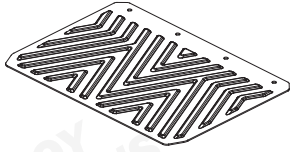
STEP 4-2:

Use tools [16] and [17] to install [12] and [14]. Choose an approximately suitable width to secure accessories [3] and [4] onto the left and right accessories [2]. At this point, fully tighten the screws.

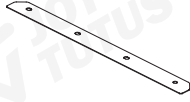


STEP 5: Use tools [15] and [17] to install [13] and [14]. Select the appropriate height to secure accessories [5] and [6] onto accessories [3] and [4], respectively. At this point, fully tighten the screws to complete the installation.

Required accessories:



5 Mudguard x2



6 Pressure plate x2



13 M8*20
Hexagon socket button
head flange screw x8



14 M8 nut x8



15 S5 hex wrench x1



17 13mm open-end wrench x1

