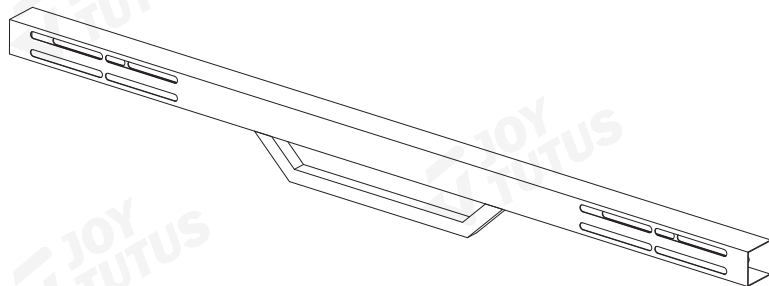


### IMPORTANT

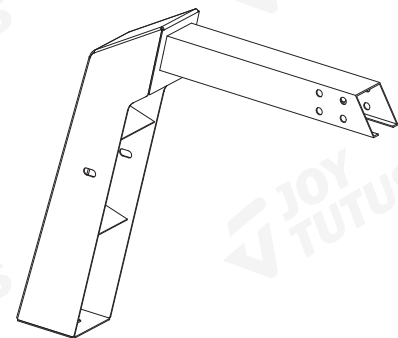
Before installation, please make sure that all accessories are ready. (As shown in the picture below).

### PRODUCT INFORMATION

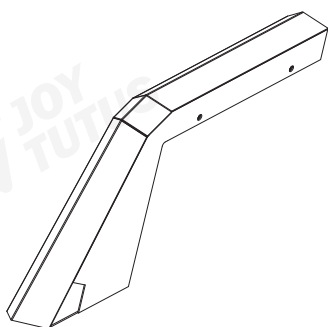
Installation Instructions



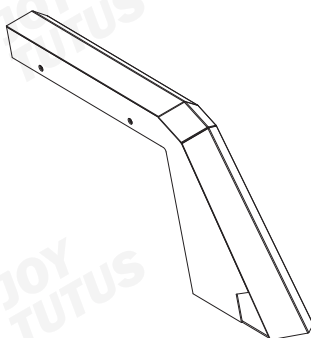
1 Central Upper Crossbeam x1



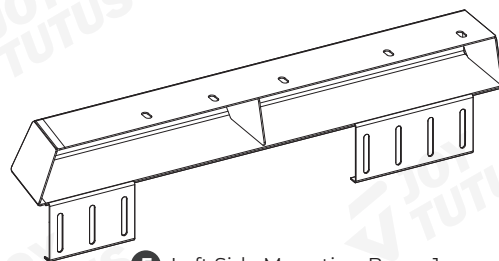
2 Front Mounting Column x2



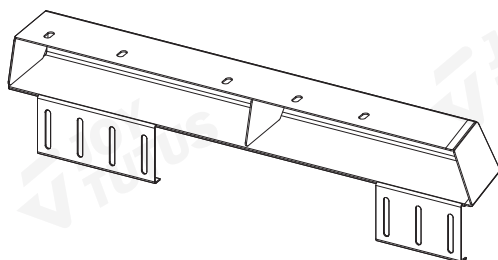
3 Left Side Mounting Bracket x1



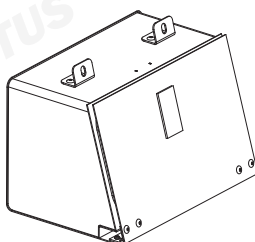
4 Right Side Mounting Bracket x1



5 Left Side Mounting Base x1



6 Right Side Mounting Base x1



7 Storage Box x2



(Include 1 spare)

8 M8\*70 Hex bolt with spring washer x9



(Include 2 spares)

9 M8\*20 Hex bolt with spring washer x26



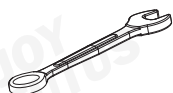
(Include 2 spares)

10 M8 Washer x62

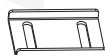


(Include 2 spares)

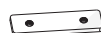
11 M8 Hex Flange Nut x34



12 Double-End Wrench x2



13 Mounting Clamp x4



14 Mounting Nut Plate x4



(Include 1 spare)

15 M8\*35 Hex bolt with spring washer x9

### Customer Support

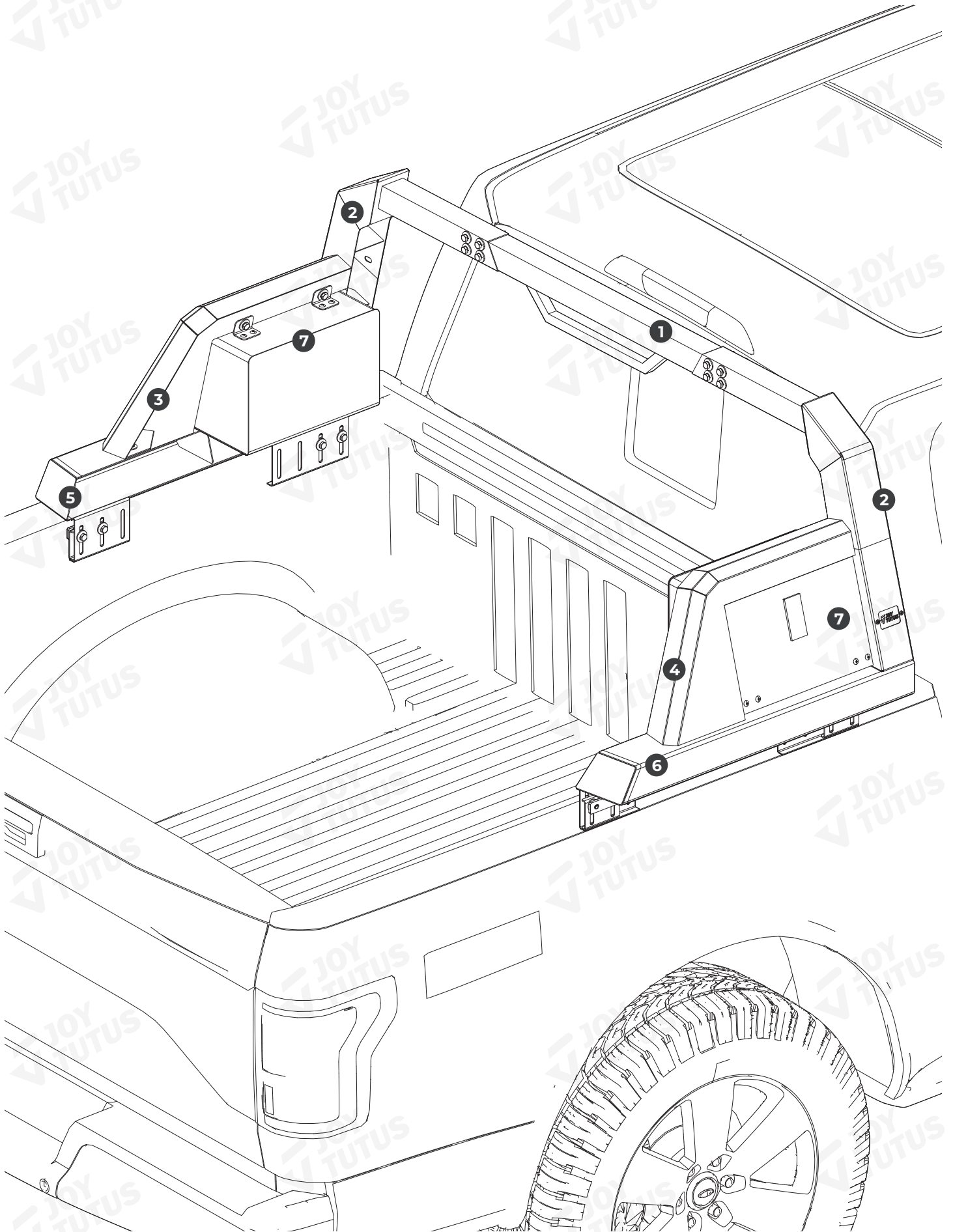


Contact us by email: [service@joytutus.com](mailto:service@joytutus.com)

JOYTUTUS help center:  
<http://support.joytutus.com>



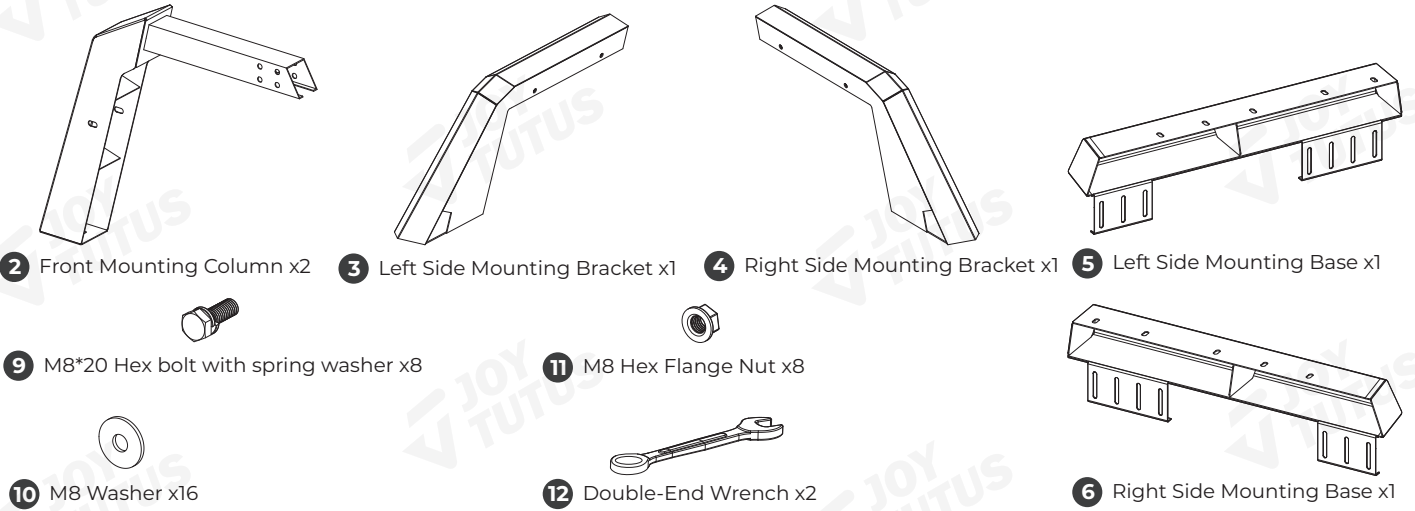
# ✓ INSTALLATION COMPLETION DIAGRAM



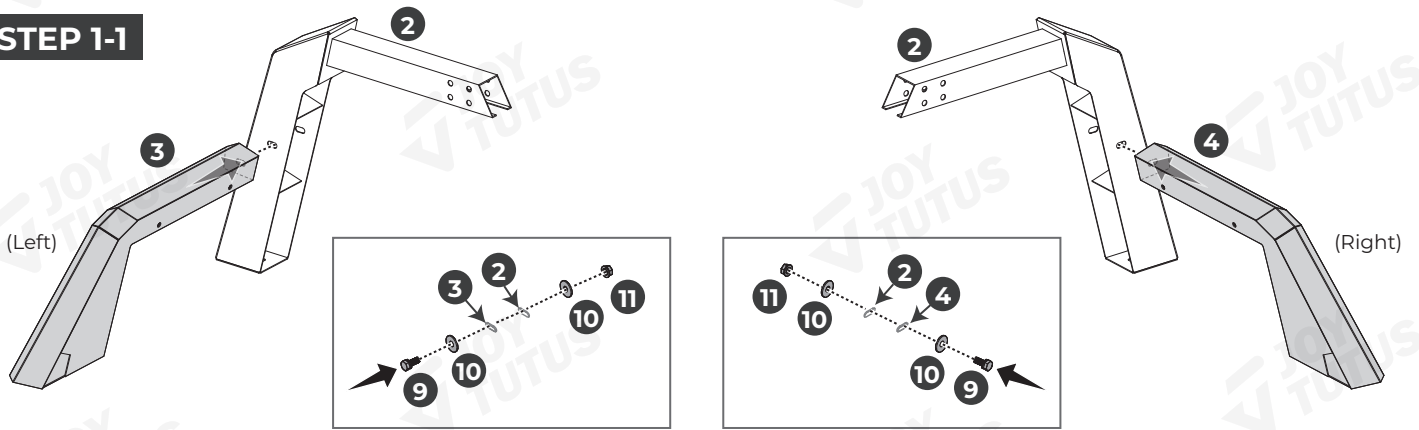
# INSTALLATION TIPS

## STEP 1

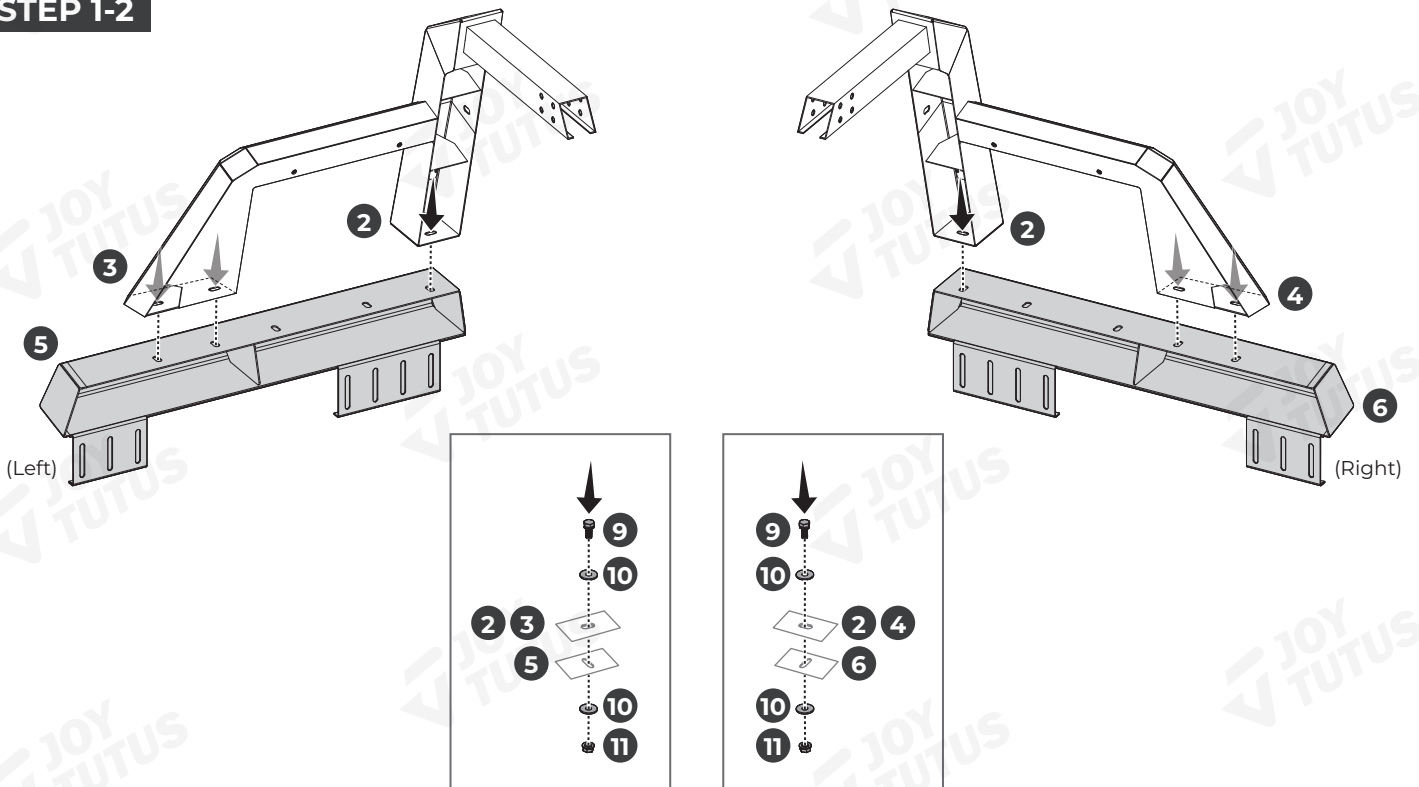
Required accessories:



## STEP 1-1

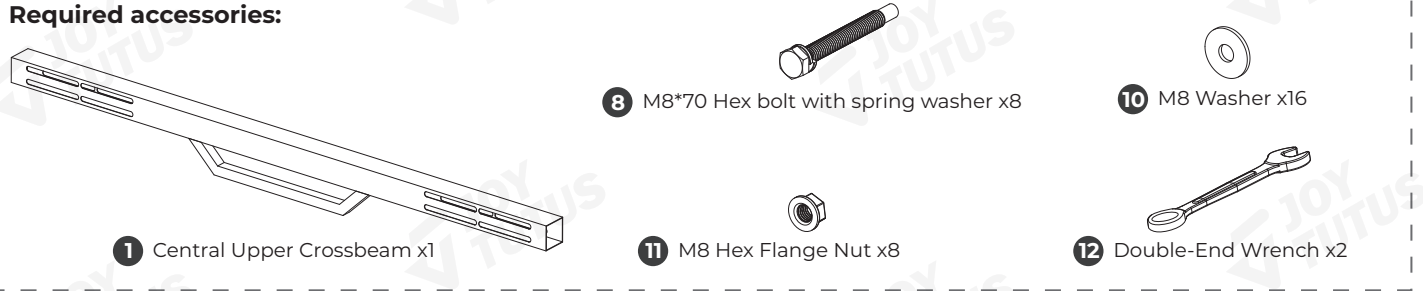


## STEP 1-2

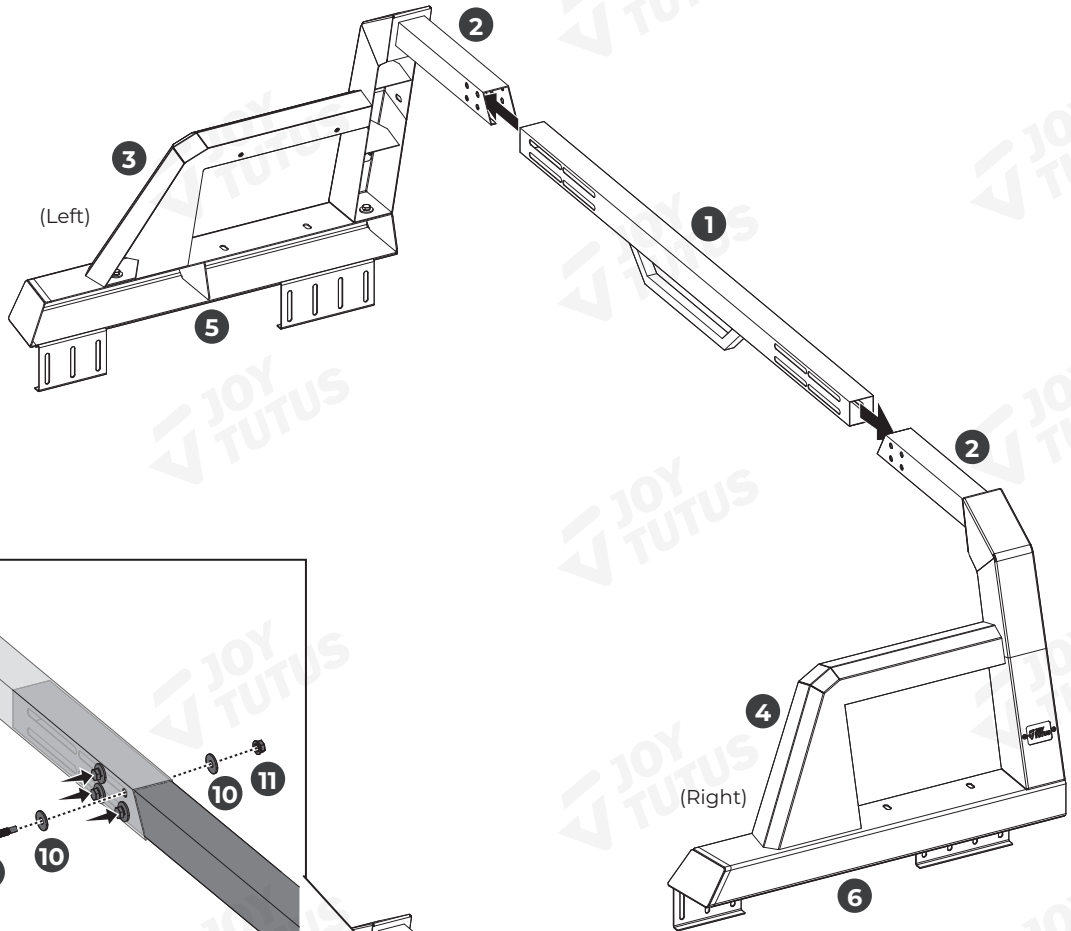


## STEP 2

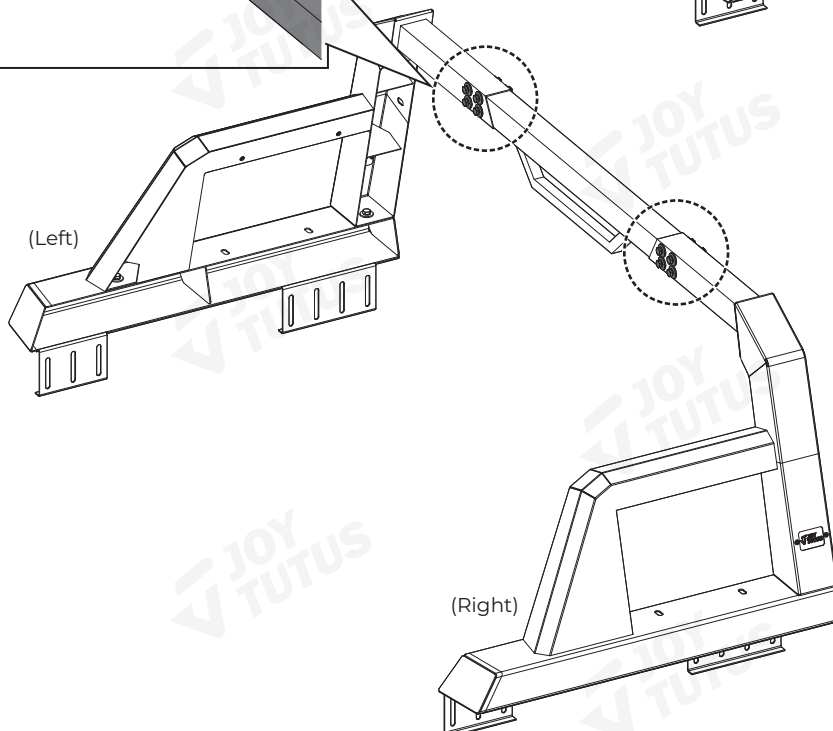
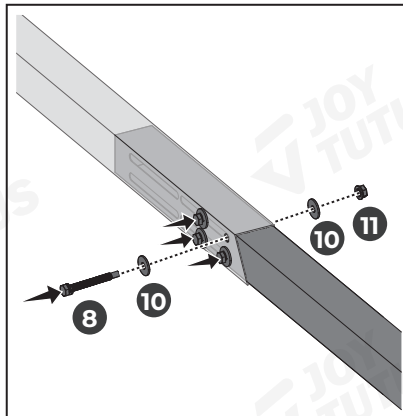
### Required accessories:



## STEP 2-1

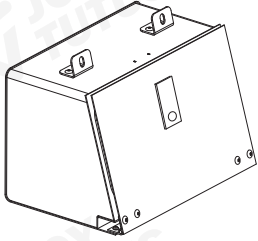


## STEP 2-2



### STEP 3

#### Required accessories:



7 Storage Box x2



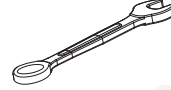
9 M8\*20 Hex bolt with spring washer x8



10 M8 Washer x16

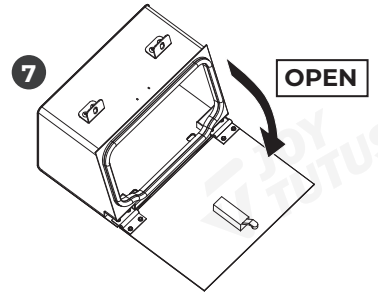


11 M8 Hex Flange Nut x4

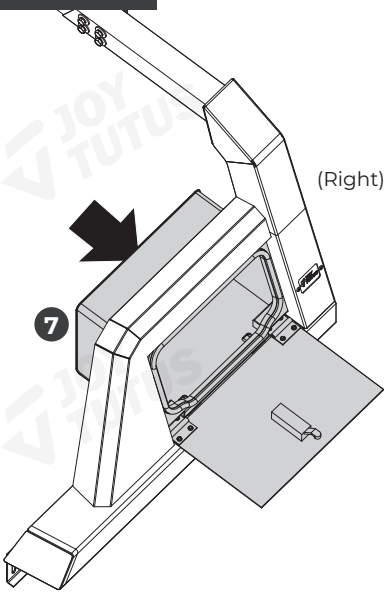


12 Double-End Wrench x2

#### Prerequisite:

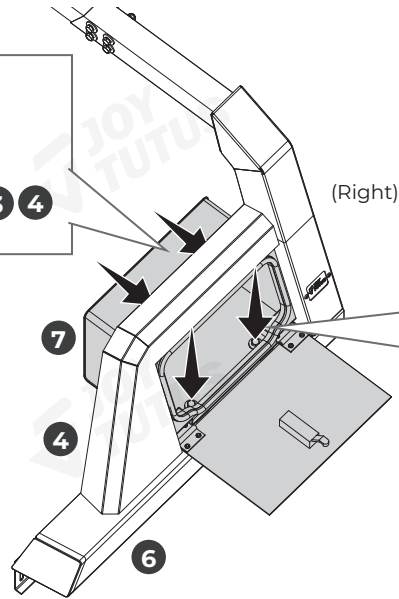
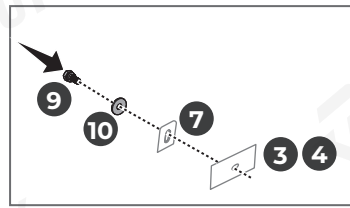


### STEP 3-1

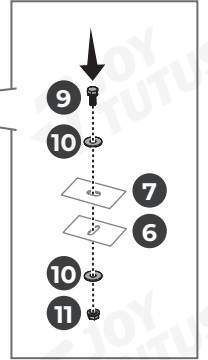


(Right)

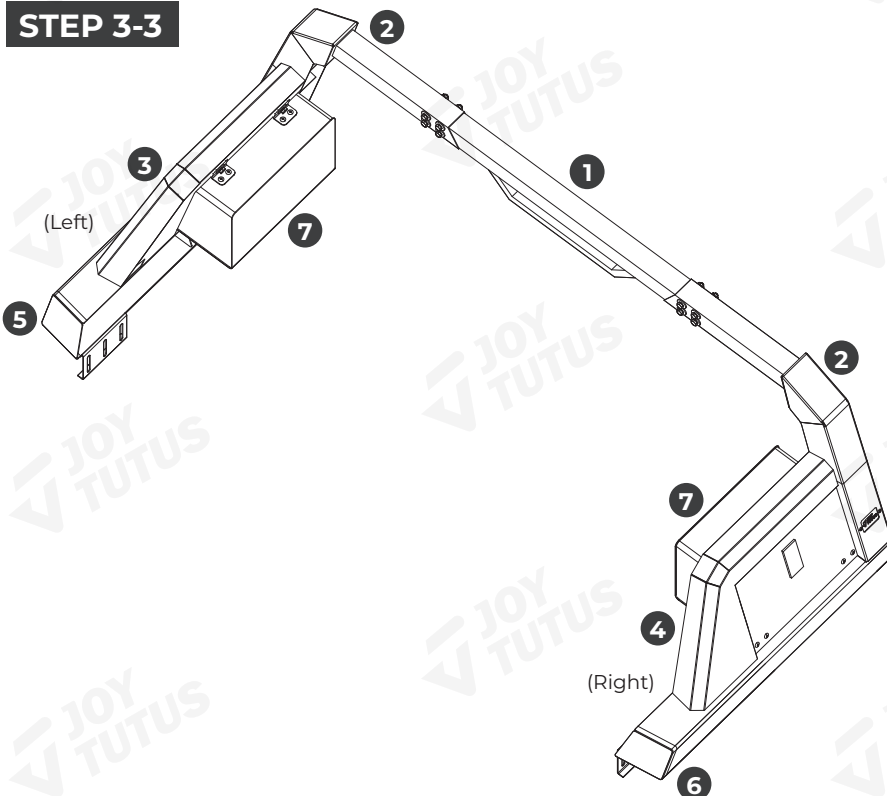
### STEP 3-2



(Right)



### STEP 3-3



(Left)

(Right)

#### Finally:

