

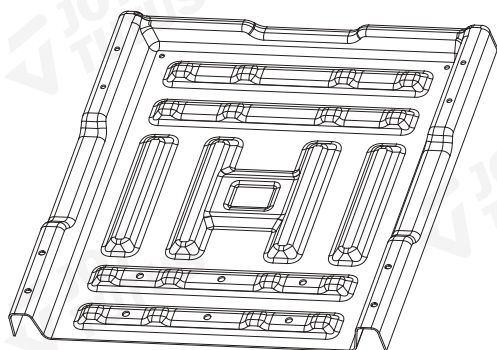
IMPORTANT

Before installation, please make sure that all accessories are ready.
(As shown in the picture below).

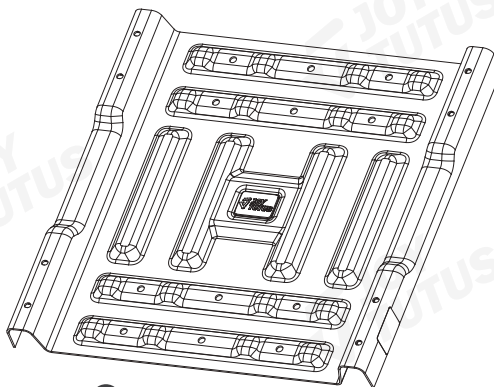
Installation Video



PRODUCT INFORMATION



1 Storage tray A x4



2 Storage tray B x2



3 Toggle bolt screw x18
(includes two spare)



4 Nut x18
(includes two spare)



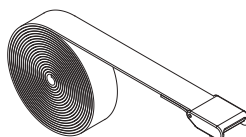
(D6*8*8)

5 Sex bolt x14
(includes two spare)



(d8.2*D16*T2)

6 Washer x56
(includes four spare)



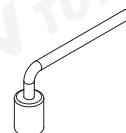
(25*3000)

7 Webbing x 2



(S4)

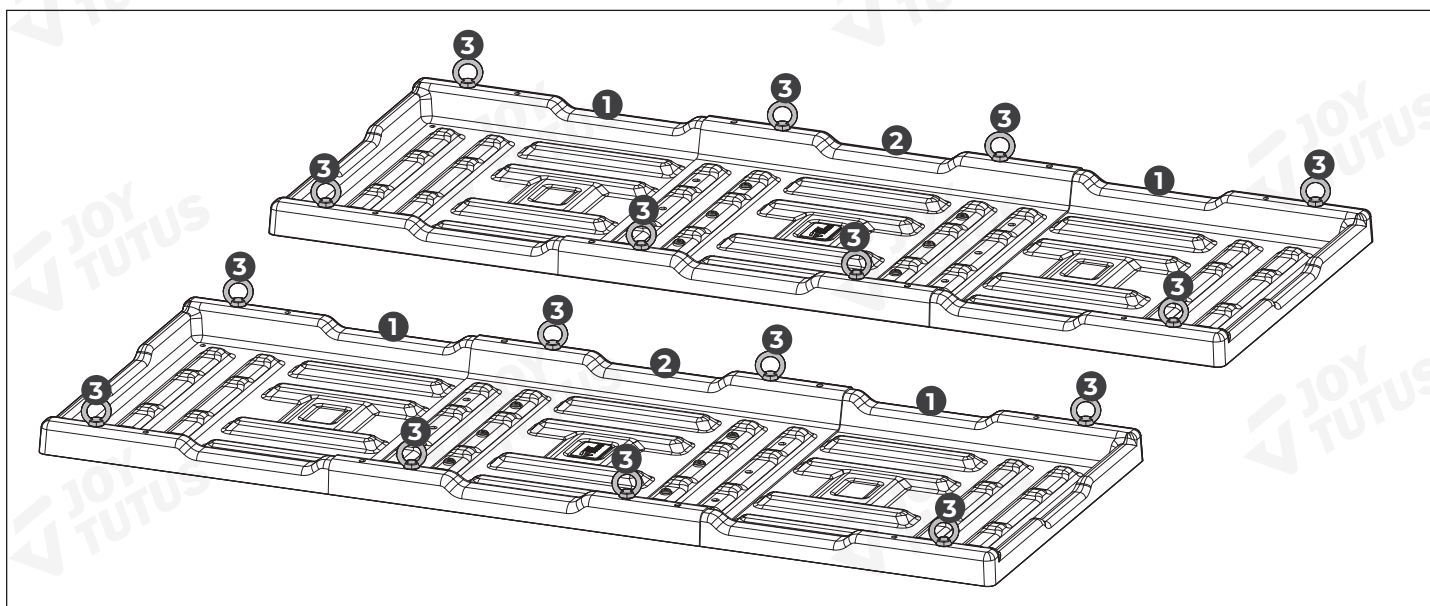
8 Hex wrench x2



(S10)

9 Socket wrench x1

SCHEMATIC DIAGRAM



Customer Support

Phone: +1 681 771 6771

HC: <https://support.joytutus.com/>

Contact us by email: service@joytutus.com

JOYTUTUS help center:
<http://support.joytutus.com>

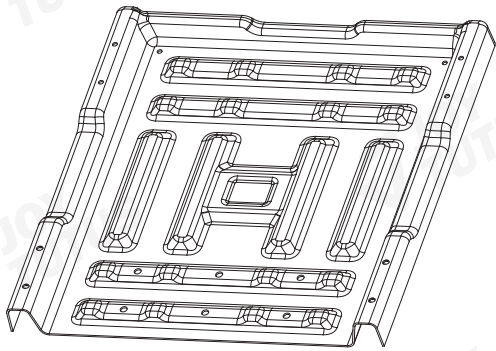


✓ INSTALLATION TIPS

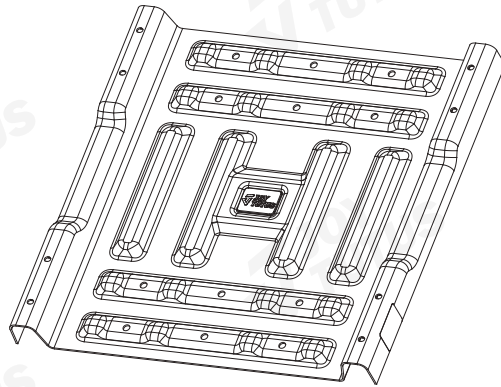
Repeat steps 1-2 to install 2 trays.

STEP 1:

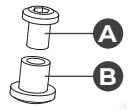
Required accessories:



1 Storage tray A x2



2 Storage tray B x1



(D6*8*8)

5 Sex bolt x12



(d8.2*D16*T2)

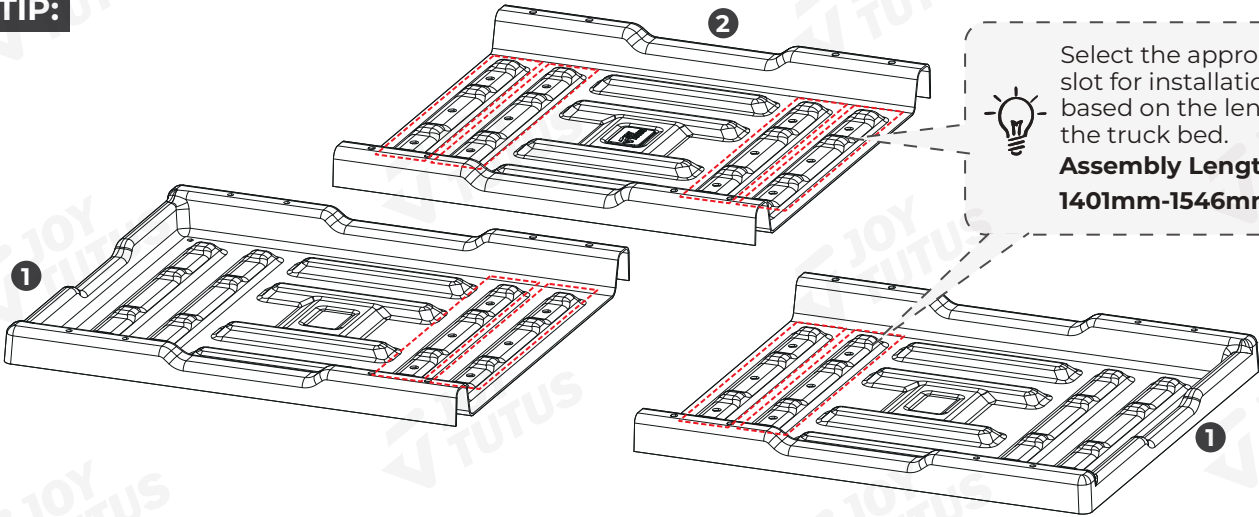
6 Washer x18



(S4)

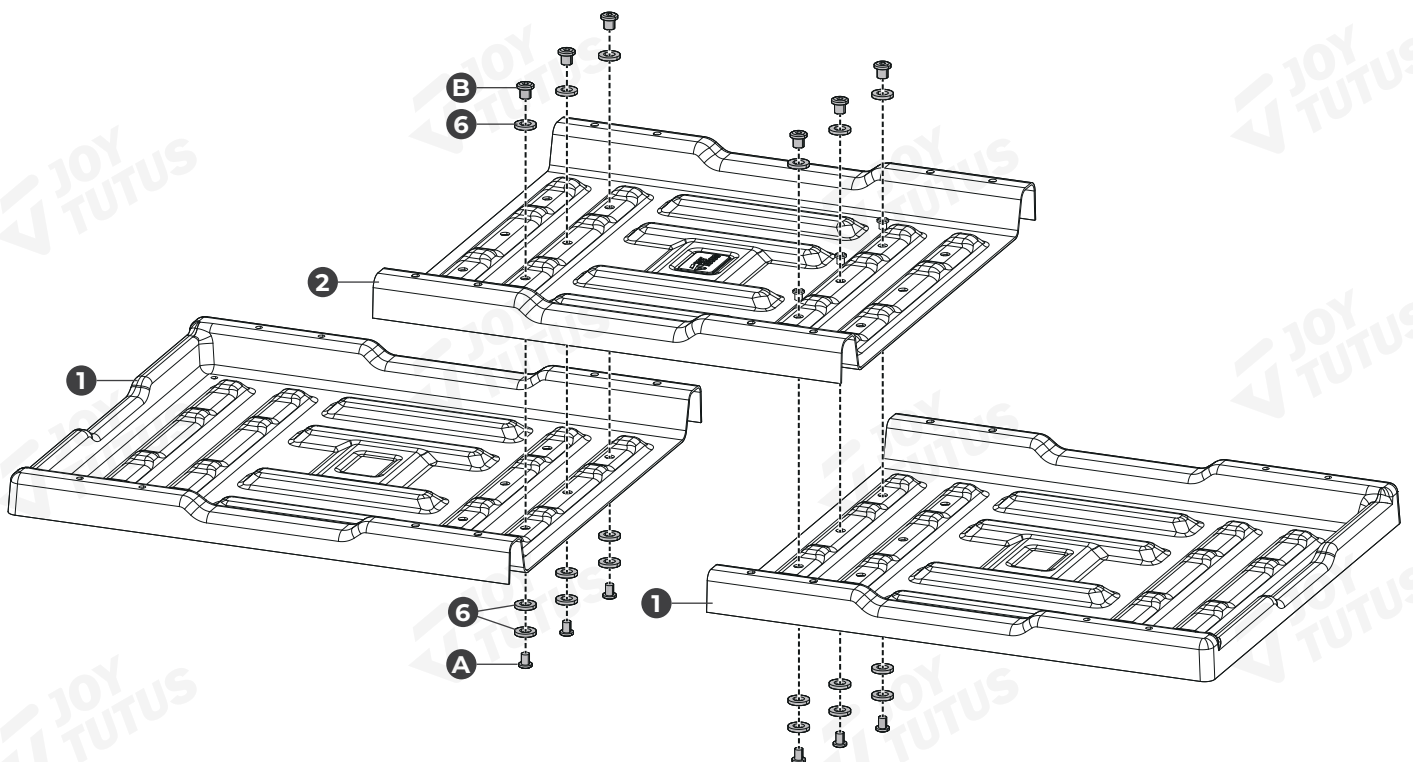
8 Hex wrench x2

TIP:



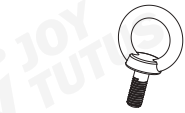
Select the appropriate slot for installation based on the length of the truck bed.

Assembly Length:
1401mm-1546mm



STEP 2:

Required accessories:



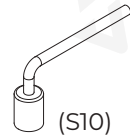
3 Toggle bolt screw x8



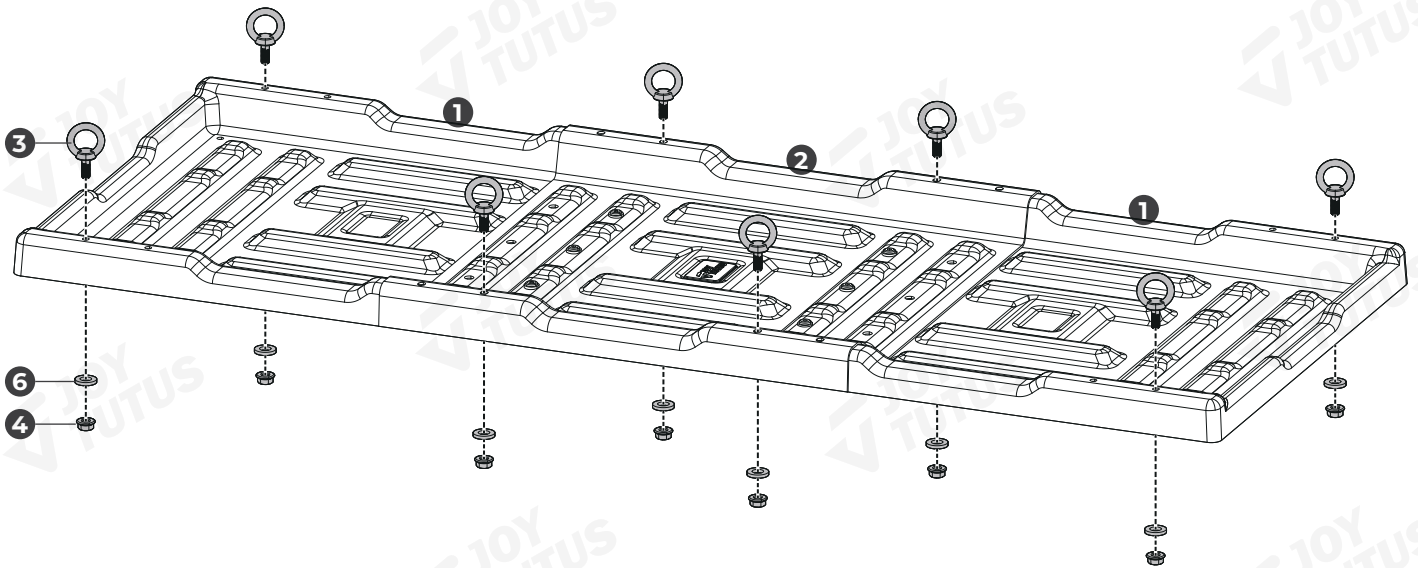
4 Nut x8



(d8.2*D16*T2)
6 Washer x8



9 Socket wrenchx1

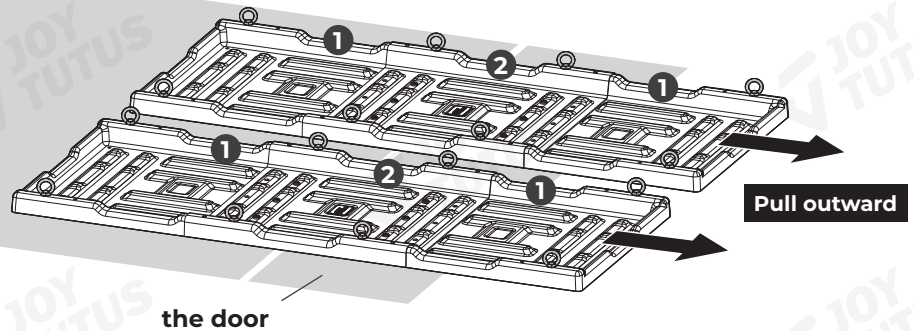


STEP 3:

FRONT

Pull outward until it reaches the appropriate distance (able to move the innermost goods, it is recommended that two-thirds of the pallet size still be on the vehicle).

the truck bed



STEP 4:

The original vehicle's tow ring

Tie the webbing tightly

Press

Pull

FRONT

