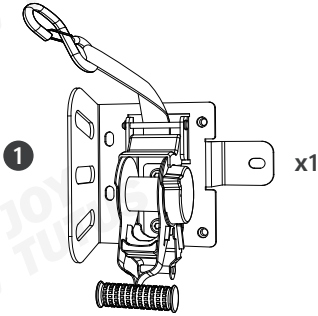


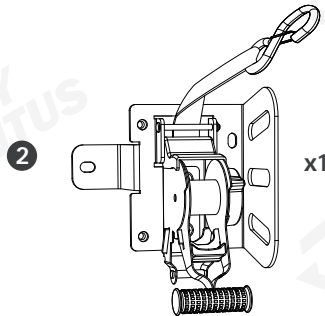
### IMPORTANT

Before installation, please make sure that all accessories are ready. (As shown in the picture below).

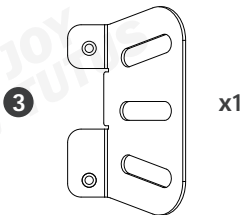
### PRODUCT INFORMATION



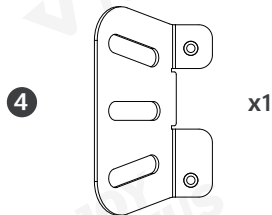
Left Ratchet Assembly



Right Ratchet Assembly



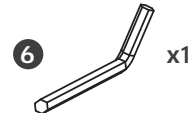
Left Side Plate



Right Side Plate



M8X18 Hex Flange Screw



5mm Hex Wrench

### CUSTOMER SUPPORT

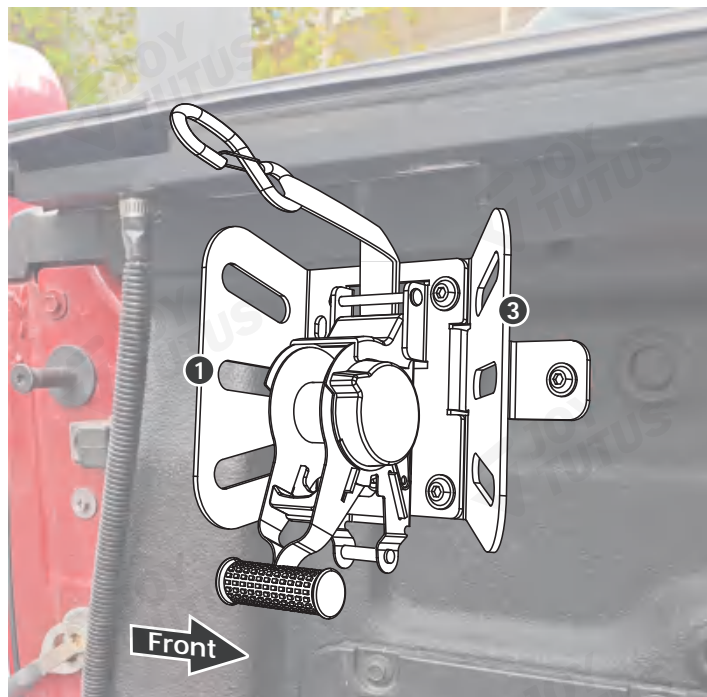
Contact us by email:  
service@joytutus.com

JOYTUTUS help center:



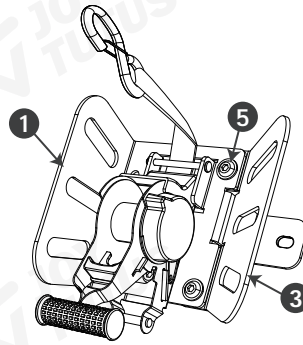
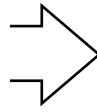
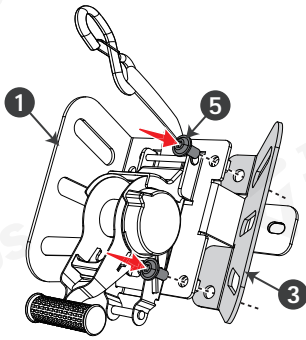
<http://support.joytutus.com>

### INSTALLATION COMPLETED DIAGRAM

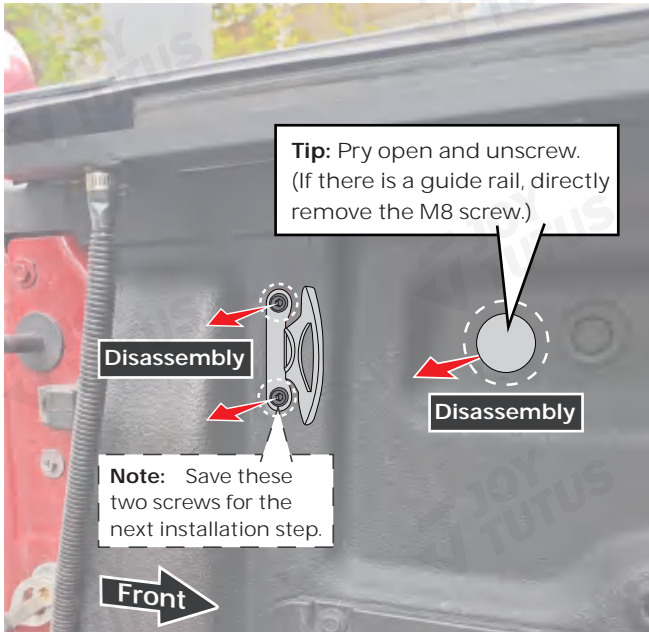


## ✓ INSTALLATION TIPS

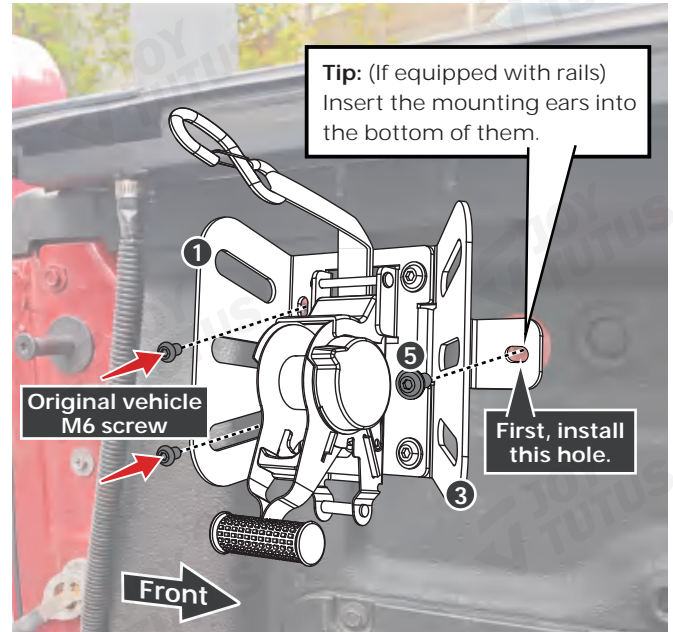
**STEP 1:** Secure **3** onto **1** using **5**.



**STEP 2:** Remove the M6 screw and hook, and take off the protective rubber sleeve from the M8 screw hole.



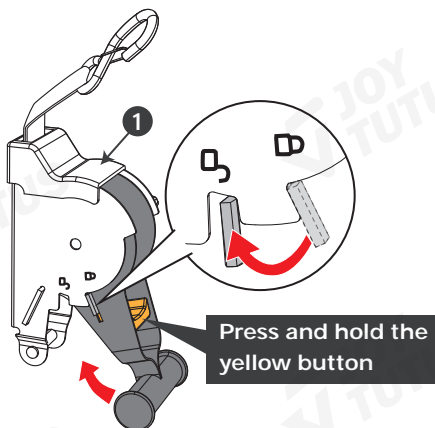
**STEP 3:** Place **1** into the installation position, align the mounting holes, then install **5** and the original M6 screw for fastening.



**Tip:** For installation on the opposite side, use accessories [2],[4], and [5], and refer to the steps above.

## ✓ USAGE METHOD

1. Press the yellow button, push down the handle, and ensure the latch locks into the unlocked position.



2. Press and hold the yellow button while simultaneously pulling out the webbing.

