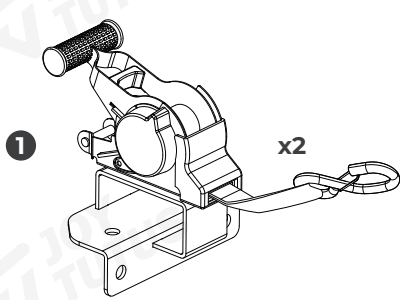


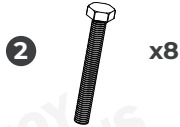
IMPORTANT

Before installation, please make sure that all accessories are ready. (As shown in the picture below).

PRODUCT INFORMATION



Ratchet Assembly



M10 Hex Bolt Fully Threaded



M10 Nylon Locking Flange Nut



15mm Open End Single Head Wrench



17mm Open End Single Head Wrench

CUSTOMER SUPPORT

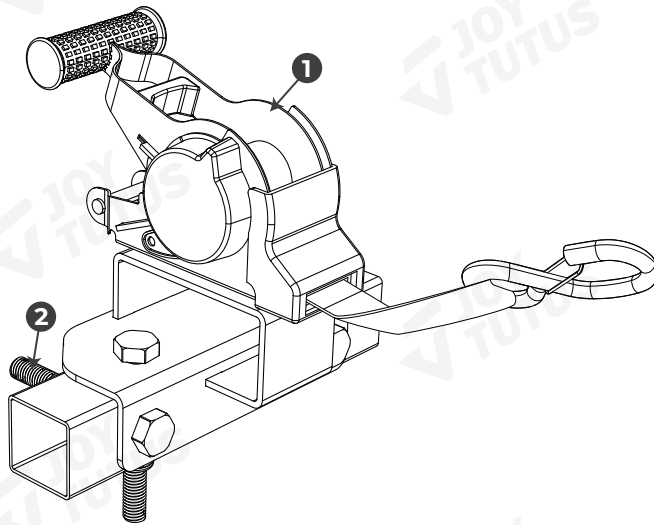
Contact us by email:
service@joytutus.com

JOYTUTUS help center:



<http://support.joytutus.com>

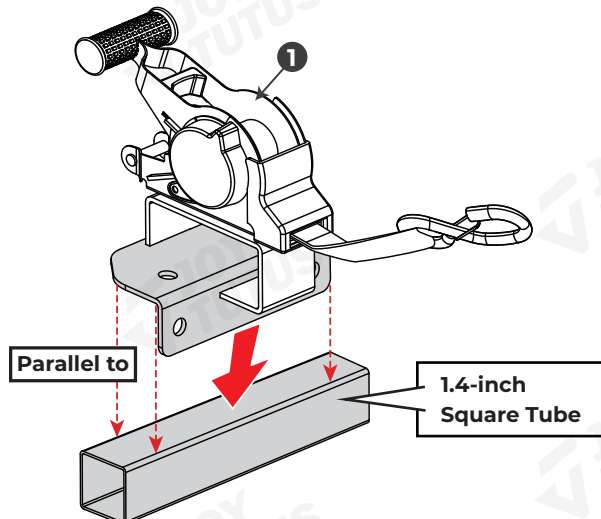
INSTALLATION COMPLETED DIAGRAM



INSTALLATION TIPS

STEP 1:

Attach **1** parallel to the square tube of the product to be installed.



STEP 2:

Use a marker to make cross marks at the drilling positions. Drill four holes with a diameter of $\varnothing 10.5$ at the marked locations on the square tube.

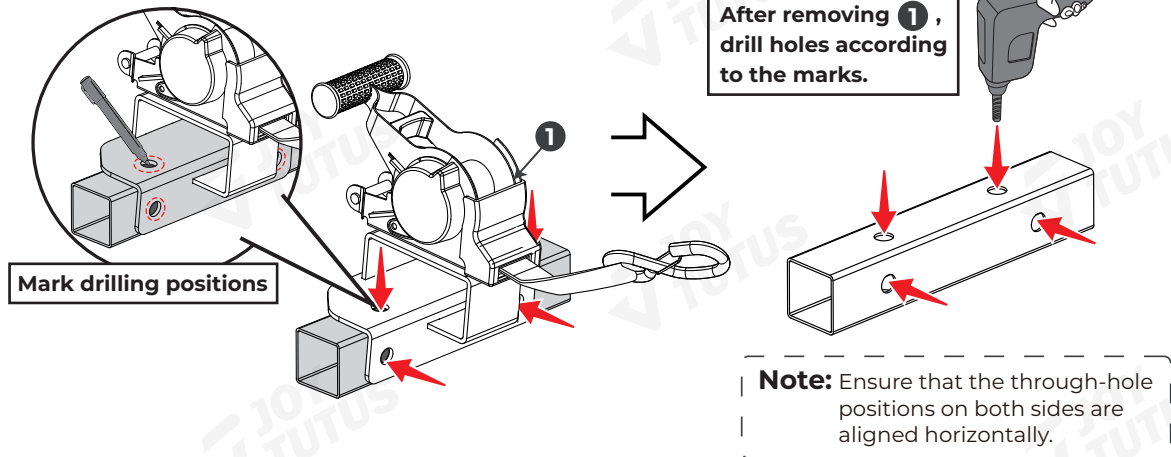
Required tool:



Marker Pen
(Self-supplied)



Electric Drill
(Self-supplied)



STEP 3:

Use 2 and 3 to secure 1 onto the square tube. (While securing 2 with 5, use 4 to rotate 3.)

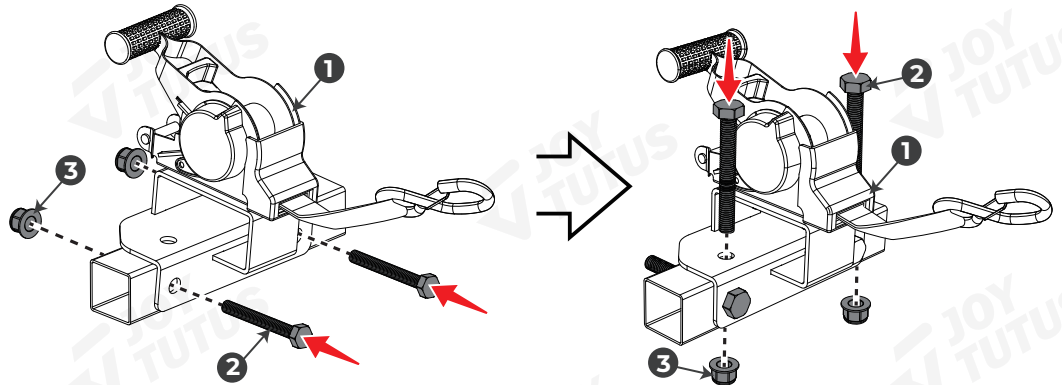
Required tool:



15mm Open End Single
Head Wrench



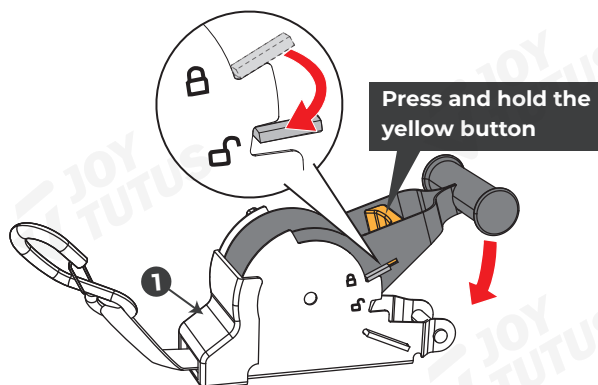
17mm Open End Single
Head Wrench



Tip: For installation on the opposite side, refer to the steps above.

USAGE METHOD

1. Press the yellow button, push down the handle, and ensure the latch locks into the unlocked position.



2. Press and hold the yellow button while simultaneously pulling out the webbing.

