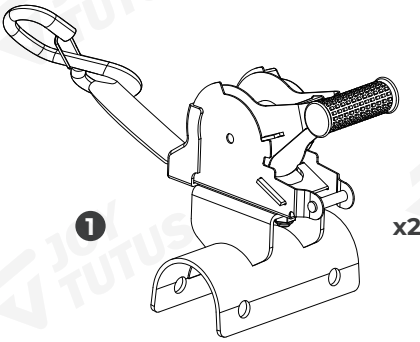


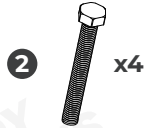
IMPORTANT

Before installation, please make sure that all accessories are ready. (As shown in the picture below).

PRODUCT INFORMATION



Ratchet Assembly



M10*80
Hex Head Bolt



M10 Nylon Locking
Flange Nut



15mm Open End Single
Head Wrench



17mm Open End Single
Head Wrench

CUSTOMER SUPPORT

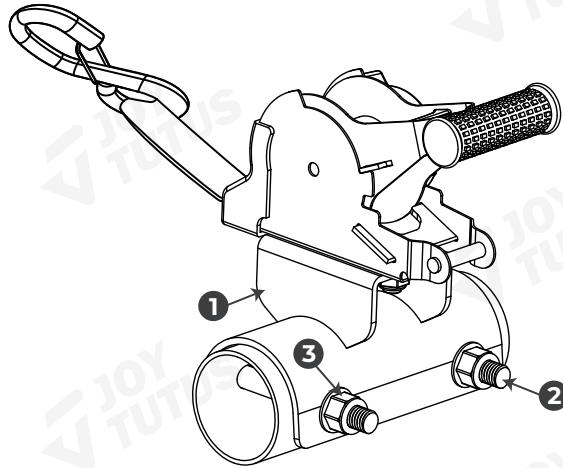
Contact us by email:
service@joytutus.com

JOYTUTUS help center:



<http://support.joytutus.com>

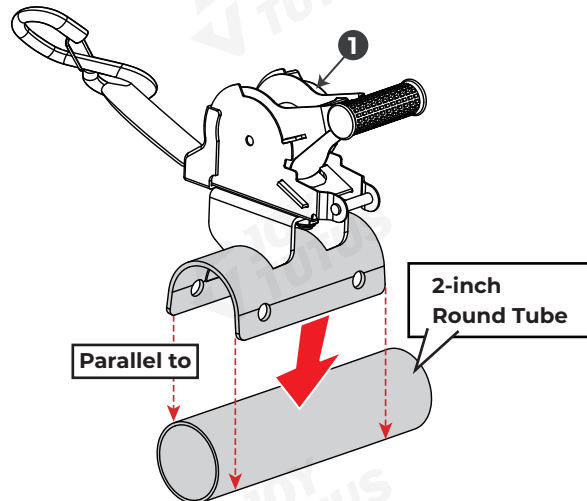
INSTALLATION COMPLETED DIAGRAM



INSTALLATION TIPS

STEP 1:

Attach **1** parallel to the round tube of the product to be installed.

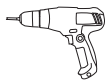


STEP 2: Use a marker to make cross marks at the drilling positions. Drill four holes with a diameter of $\varnothing 10.5$ at the marked locations on the round tube.

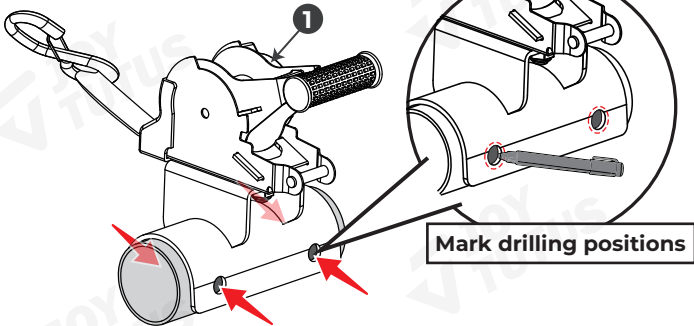
Required tool:



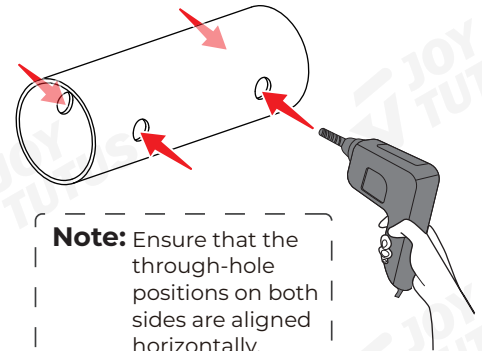
Marker Pen
(Self-supplied)



Electric Drill
(Self-supplied)



After removing **1**,
drill holes according
to the marks.



Note: Ensure that the
through-hole
positions on both
sides are aligned
horizontally.

STEP 3: Use **2** and **3** to secure **1** onto the round tube. (While securing **2** with **5**, use **4** to rotate **3**.)

Required tool:

4 x1

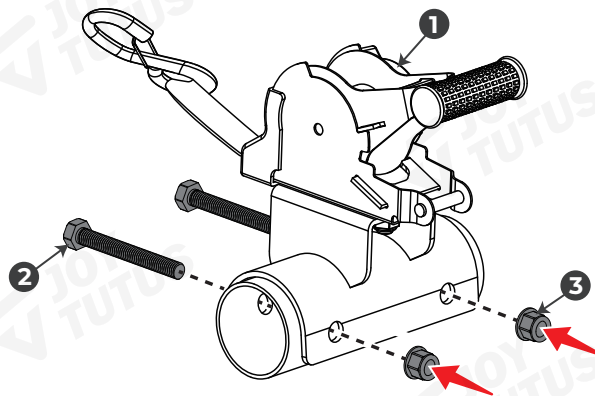


15mm Open End Single
Head Wrench

5 x1



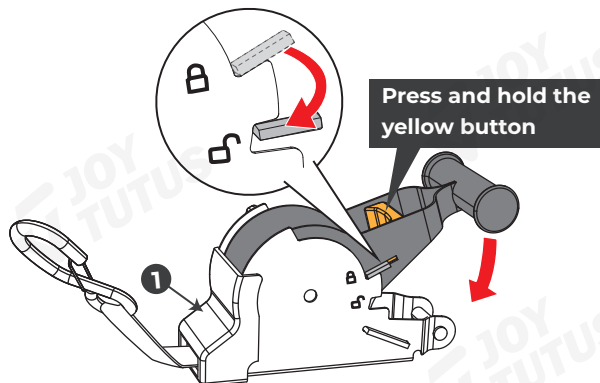
17mm Open End Single
Head Wrench



Tip: For installation on the opposite side, refer to the steps above.

USAGE METHOD

1. Press the yellow button, push down the handle, and ensure the latch locks into the unlocked position.



2. Press and hold the yellow button while simultaneously pulling out the webbing.

