

IMPORTANT

Before installation, please make sure that all accessories are ready. (As shown in the picture below).

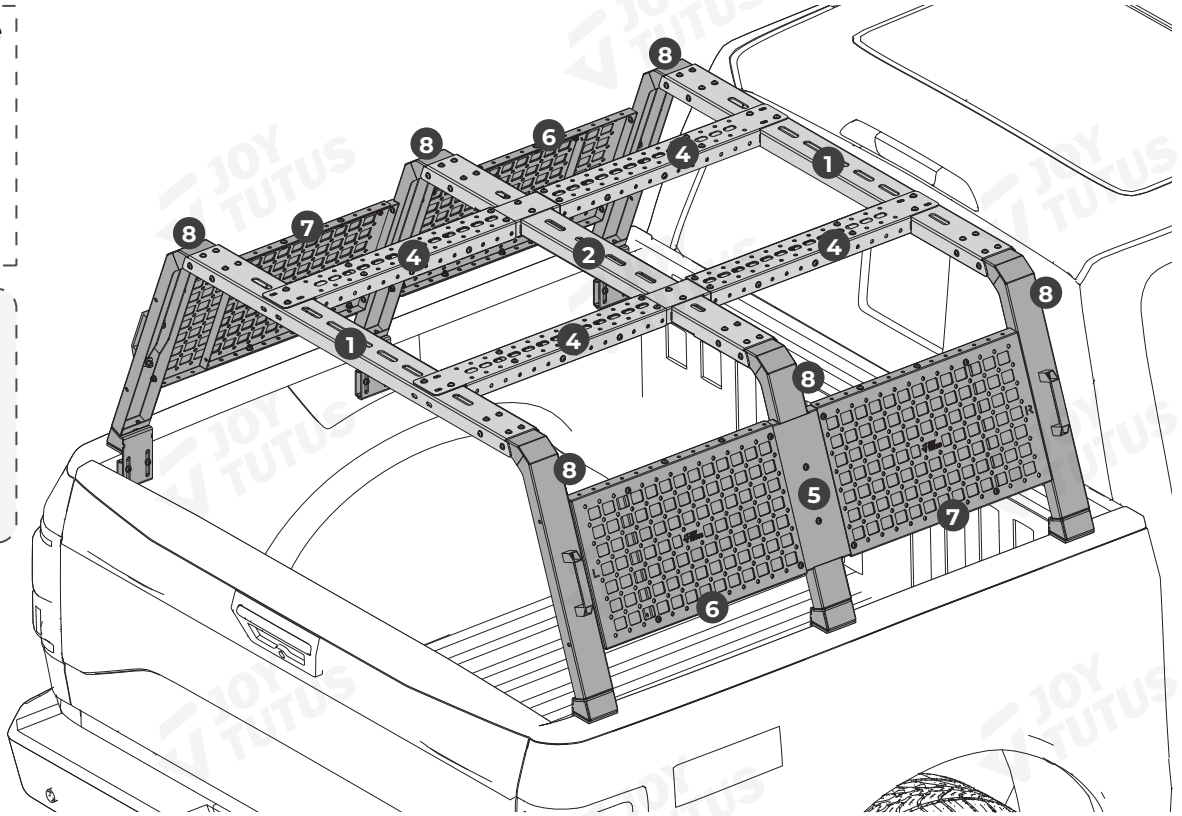
INSTALLATION COMPLETION DIAGRAM

01) Installation completion diagram of the high-frame version

Installation Guide



It is recommended that two people install it together.

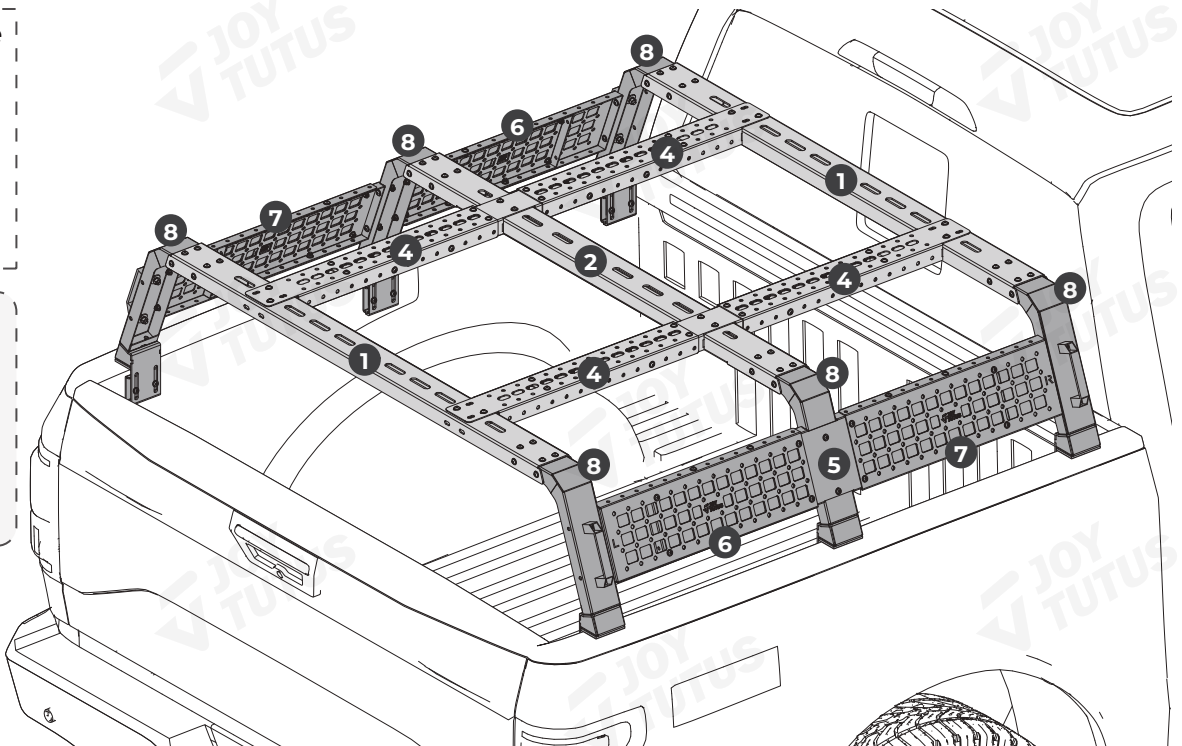


02) Installation completion diagram of the low-frame version

Installation Guide



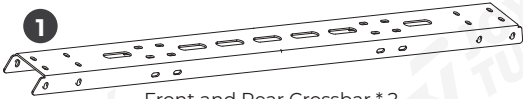
It is recommended that two people install it together.



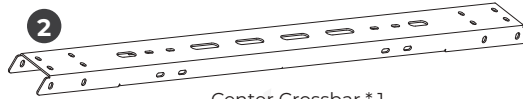
PRODUCT INFORMATION



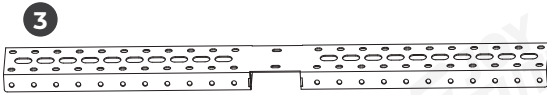
The accessory diagram is presented with the high-frame version as the primary reference. For the low-frame version, only the heights of parts [5], [6], and [7] are different; all other accessories and installation steps are identical.



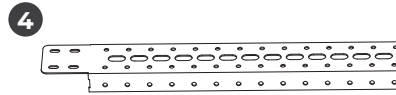
1 Front and Rear Crossbar * 2



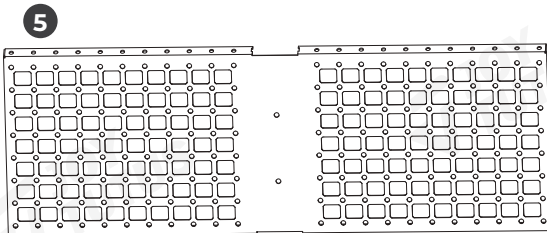
2 Center Crossbar * 1



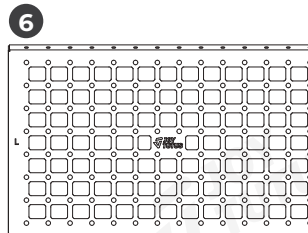
3 Lower Vertical Bar * 2



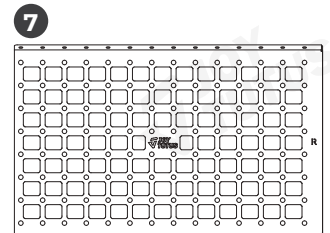
4 Upper Vertical Bar * 4



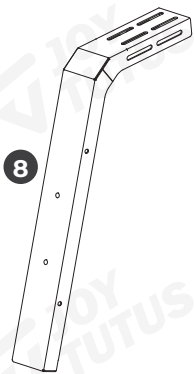
5 Inner Panel * 2



6 Outer Panel Left * 2



7 Outer Panel Right * 2



8 Corner Bar * 6



9 Mounting Bracket * 6



10 Handle * 4



11 Clamping Bracket * 6



12 Nut Plate * 6



13 (M8*35)
Screw * 14
(including 2 spare)



14 (M8*25)
Screw * 34
(including 2 spare)



15 (M8)
Nut * 22
(including 2 spare)



16 (M8)
Washer * 46
(including 2 spare)



17 (M8)
Spring Washer * 34
(including 2 spare)



18 (M6*20)
Screw * 164
(including 4 spare)



19 (M6)
Lock Nut * 164
(including 4 spare)



20 (M6)
Washer * 328
(including 8 spare)



21 5# Hex Key * 1



22 4# Hex Key * 1



23 Double-ended Open-end Wrench 10-13 * 1

Customer Support



Contact us by email: service@joytutus.com

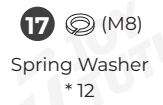
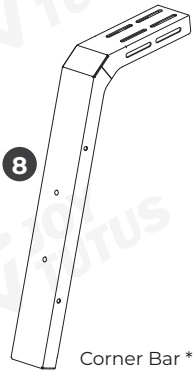
JOYTUTUS help center:
<http://support.joytutus.com>



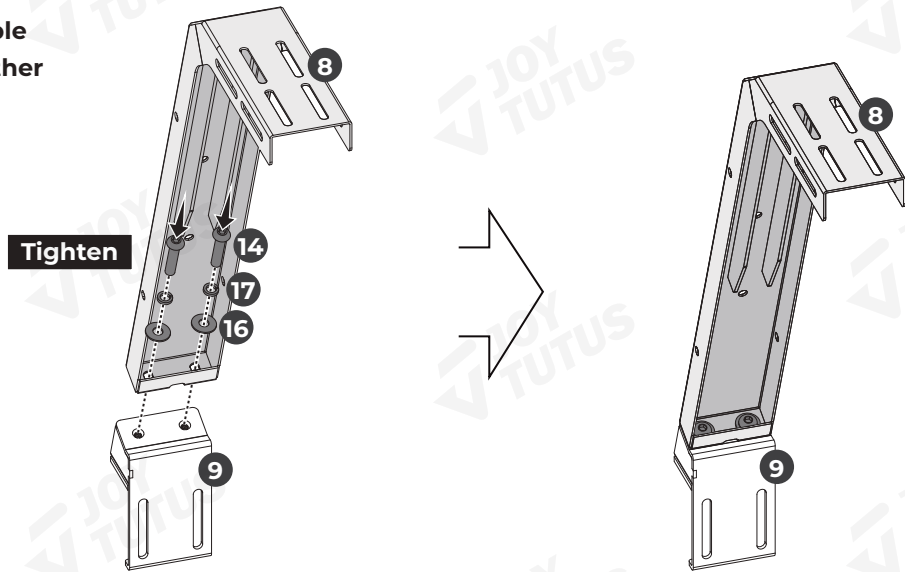
✓ INSTALLATION TIPS

STEP 1

Required accessories:

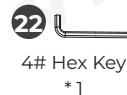
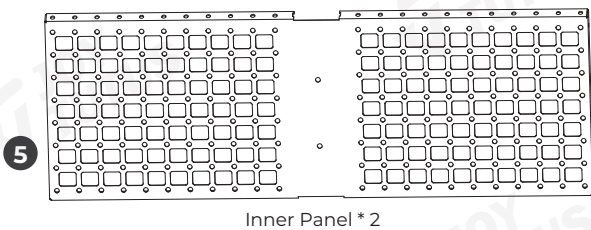


As shown in the figure, assemble the six 8 and 9 parts together and tighten them directly.



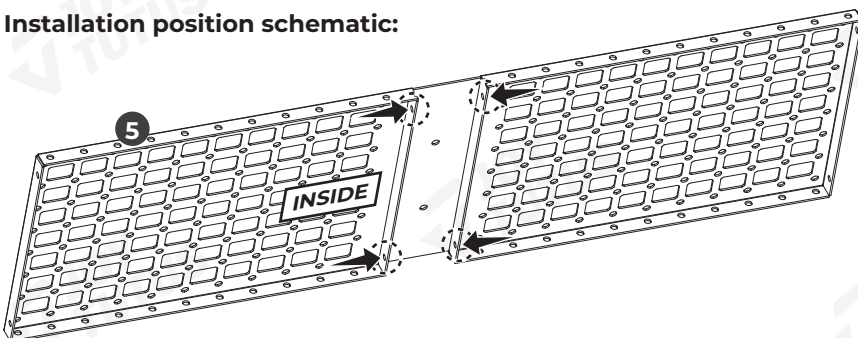
STEP 2

Required accessories:



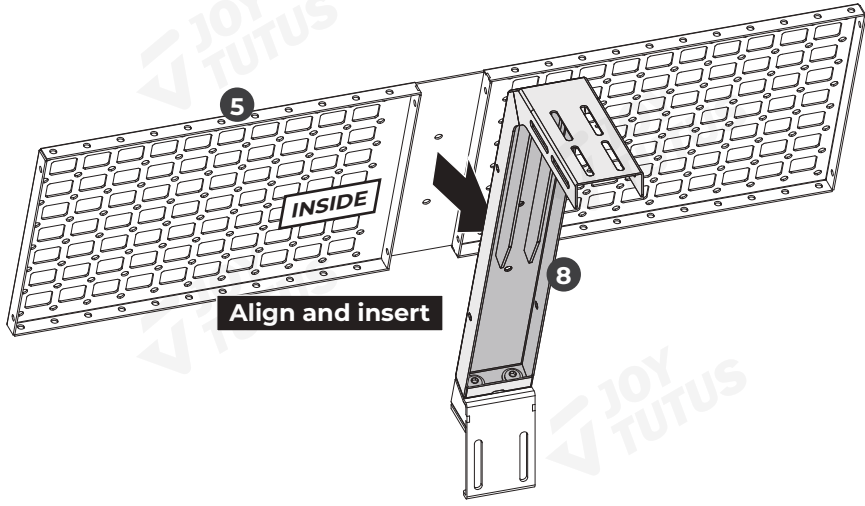
STEP 2-1

Installation position schematic:

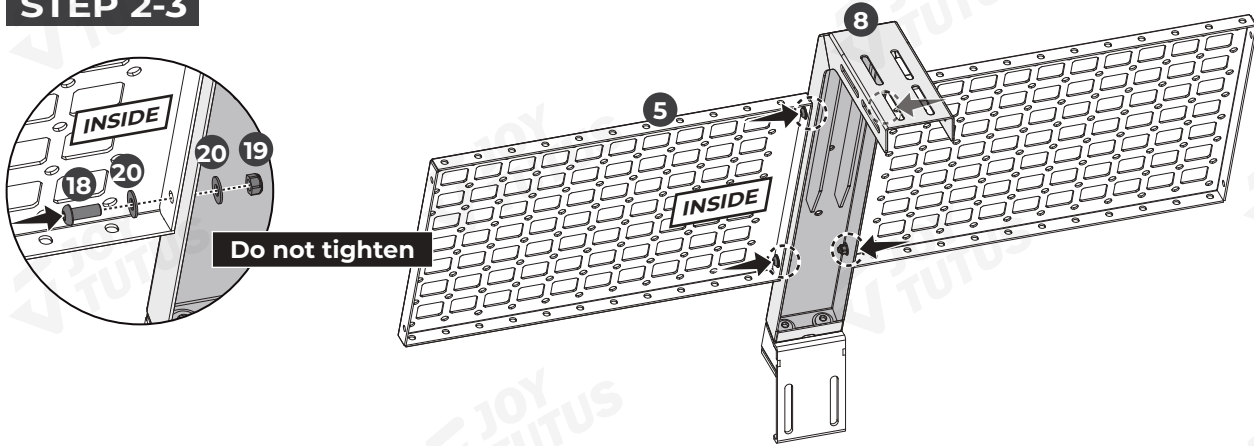


As shown in the figure, assemble the two 8 and 5 parts together without tightening them for now.

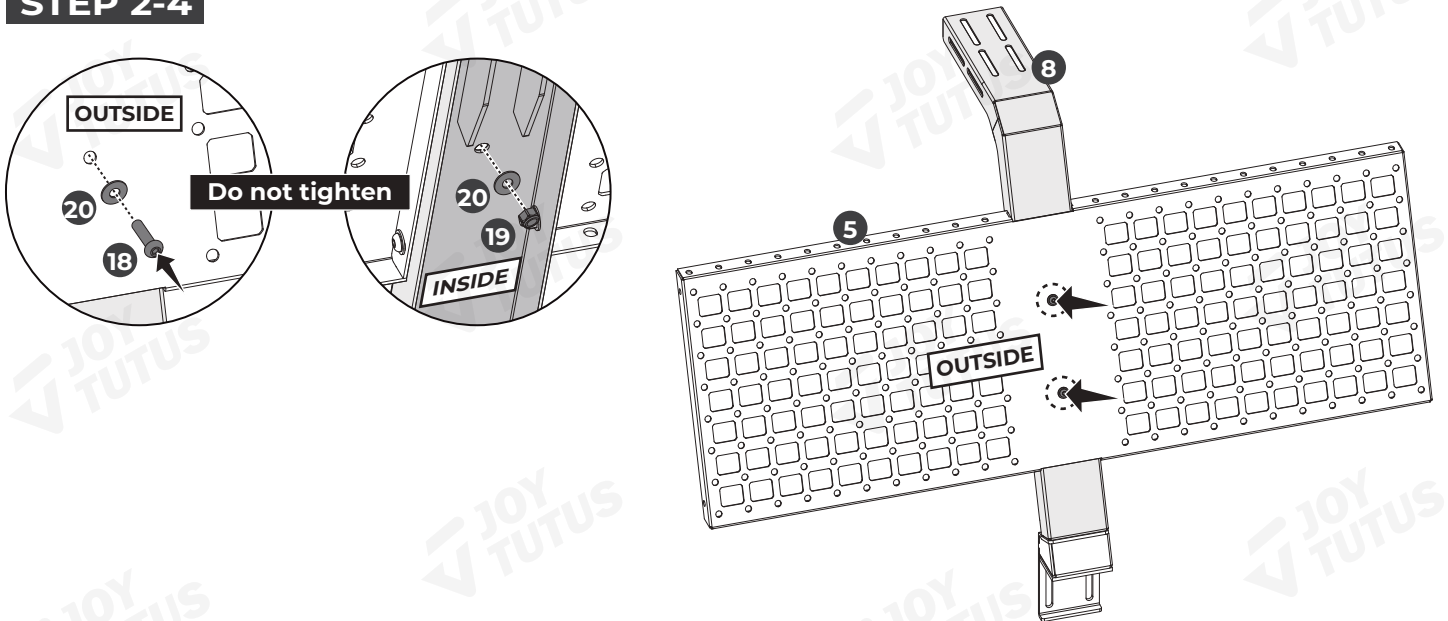
STEP 2-2



STEP 2-3

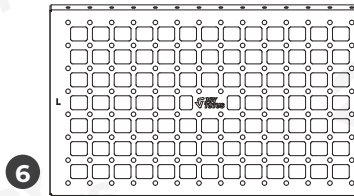


STEP 2-4



STEP 3

Required accessories:



Outer Panel Left * 2



Screw * 4



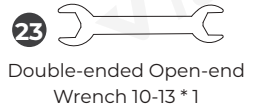
Lock Nut * 4



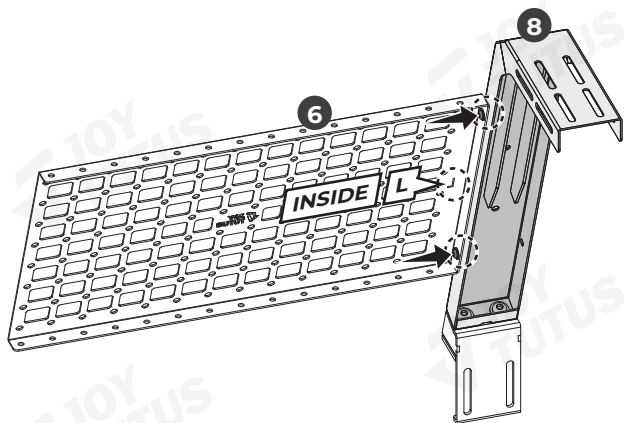
Washer * 8



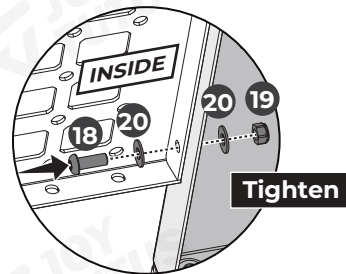
4# Hex Key * 1



Double-ended Open-end Wrench 10-13 * 1

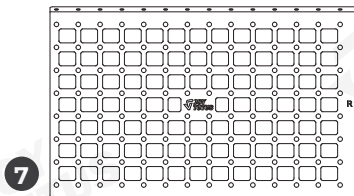


As shown in the figure, assemble the two 8 and 6 parts together and tighten them directly.



STEP 4

Required accessories:



Outer Panel Right * 2



Screw * 4



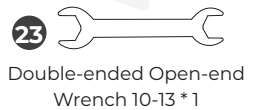
Lock Nut * 4



Washer * 8

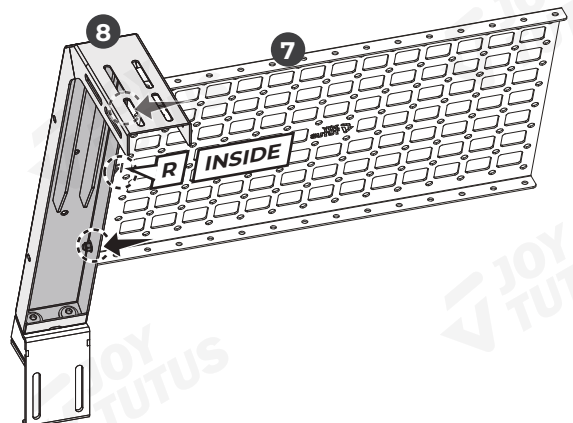
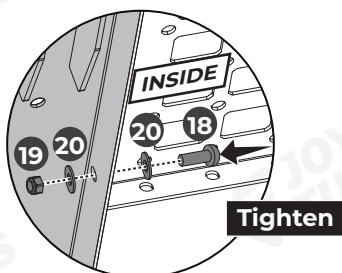


4# Hex Key * 1



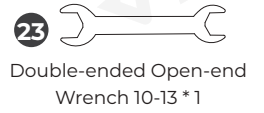
Double-ended Open-end Wrench 10-13 * 1

As shown in the figure, assemble the two 8 and 7 parts together and tighten them directly.



STEP 5

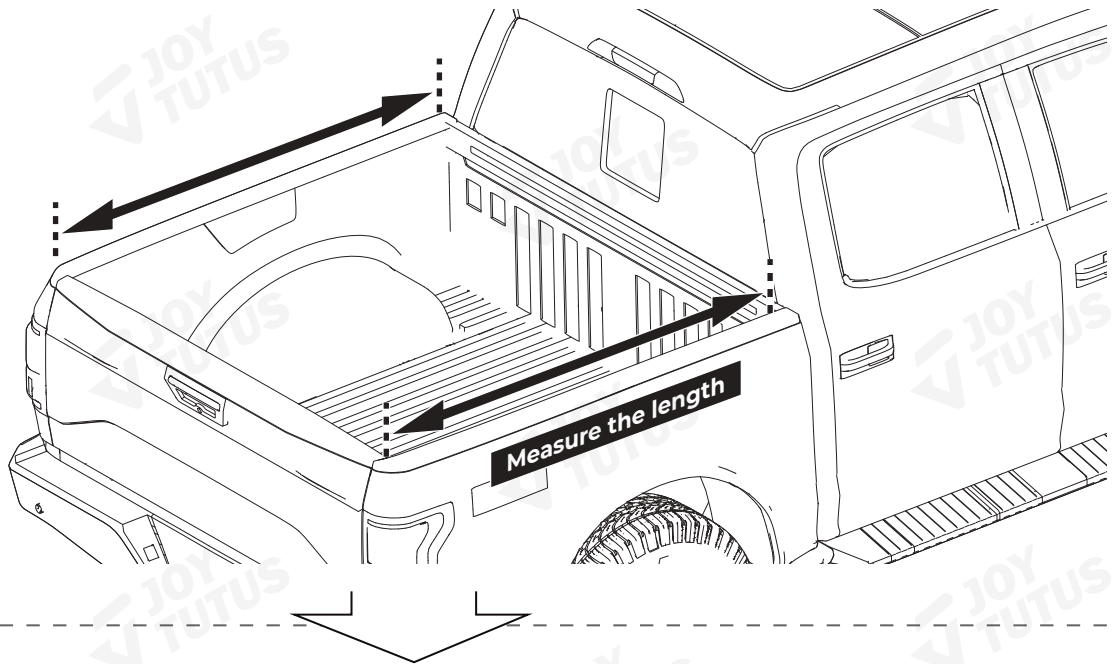
Required accessories:



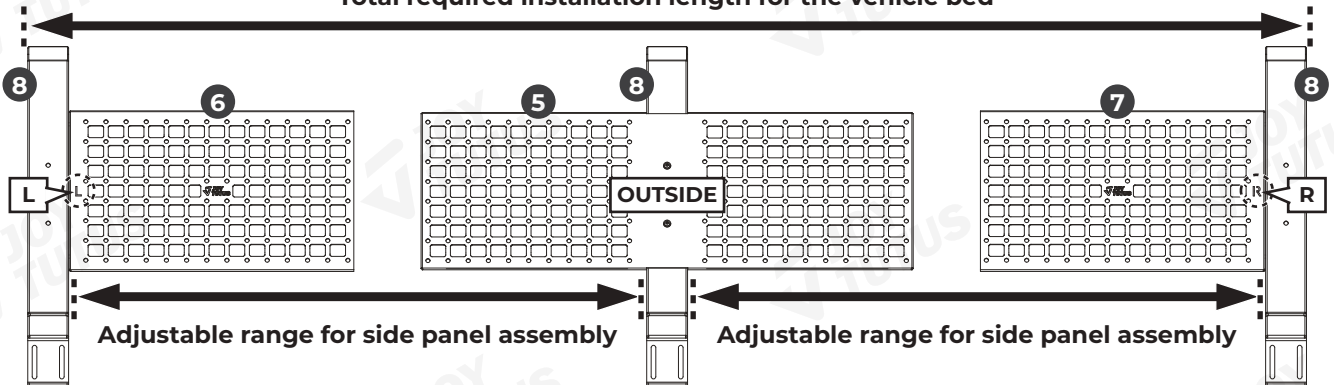
STEP 5-1



Measure the length of your vehicle bed to confirm the required length of the bed frame to be installed.



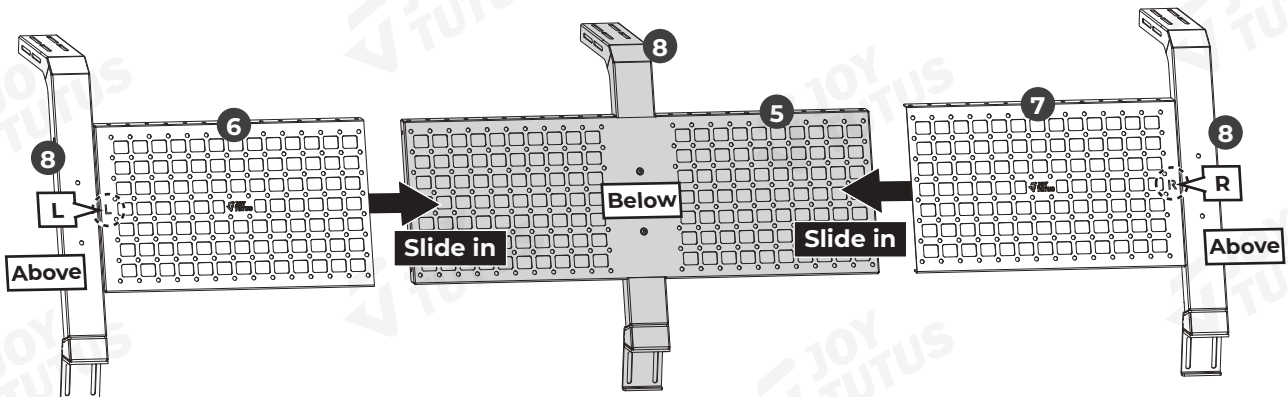
Total required installation length for the vehicle bed



STEP 5-2

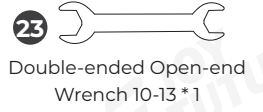
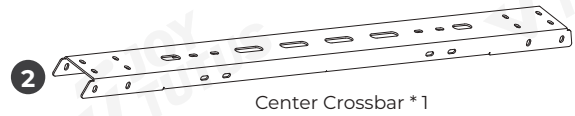
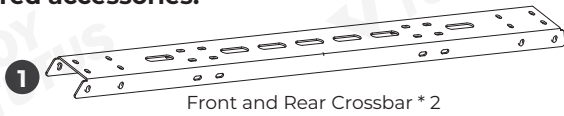
According to the total required installation length for the vehicle bed, assemble 6, 5, and 7 together.

(Note: 6 and 7 are located above 5.)

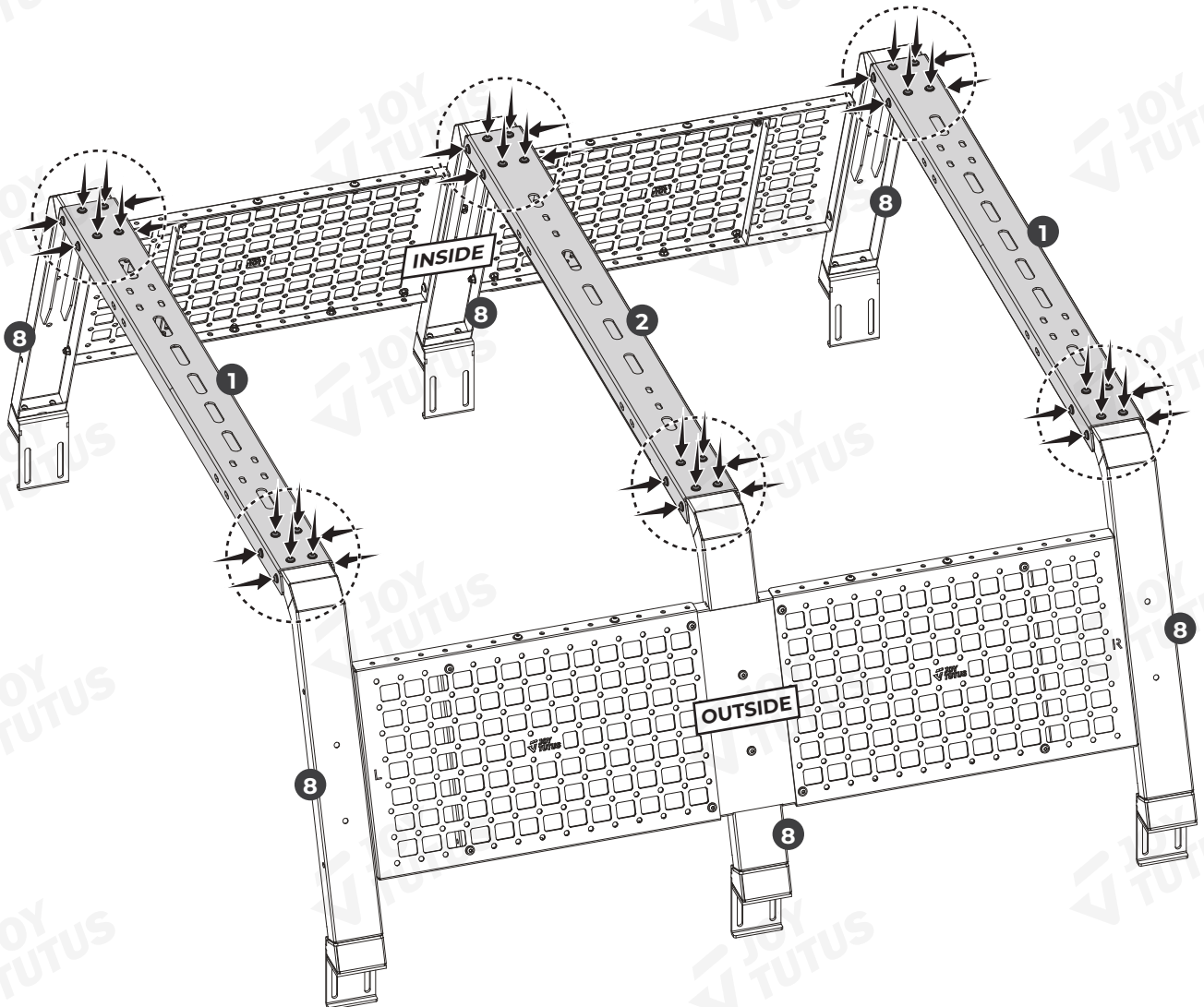
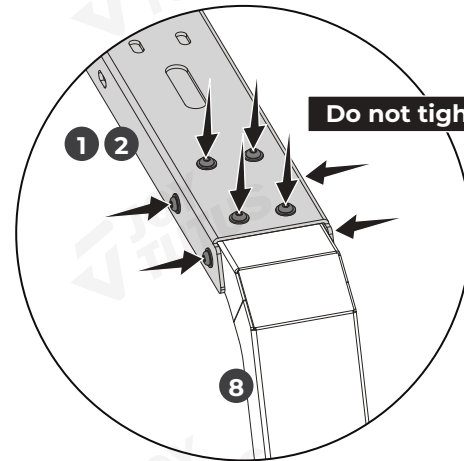
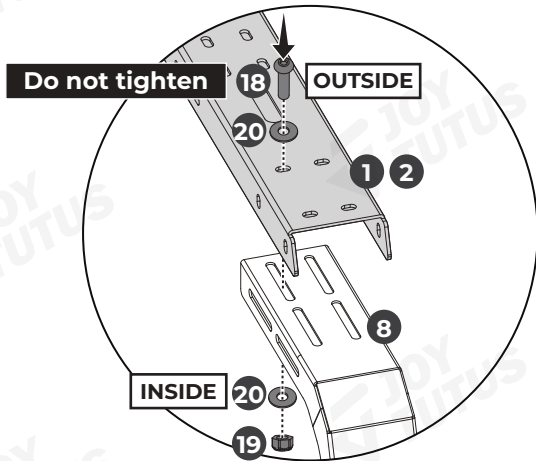


STEP 6

Required accessories:

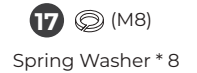


As shown in the figure, assemble two parts **1** and one part **2** onto part **8**, but do not tighten them for now.

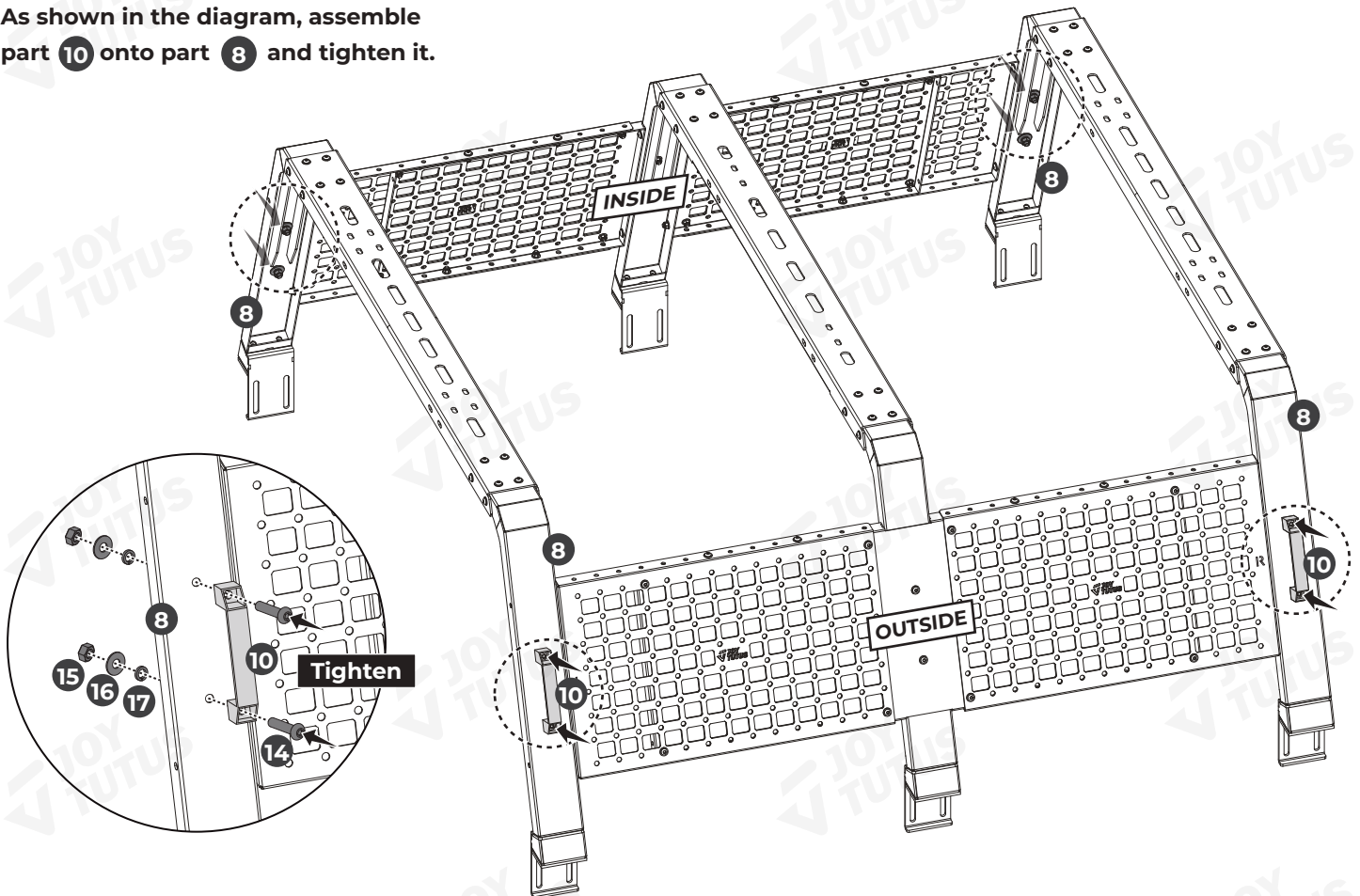


STEP 7

Required accessories:

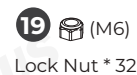
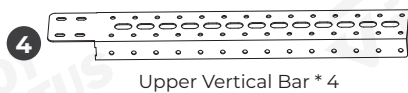
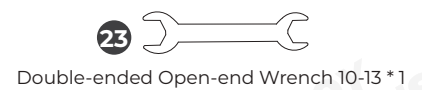
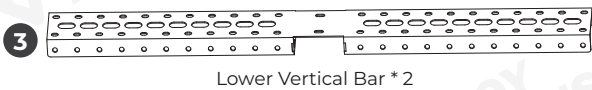


As shown in the diagram, assemble part 10 onto part 8 and tighten it.



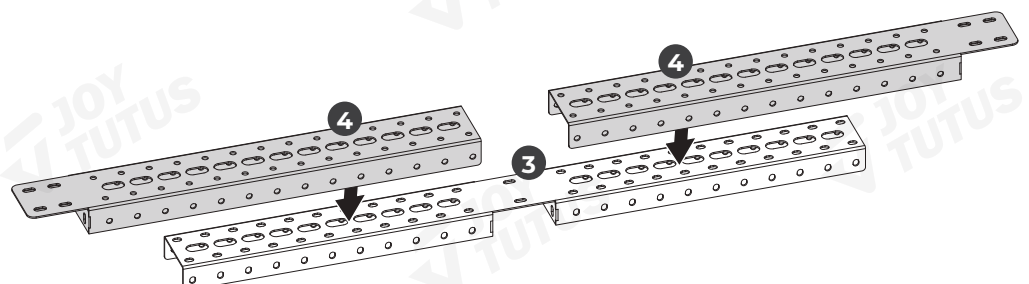
STEP 8

Required accessories:



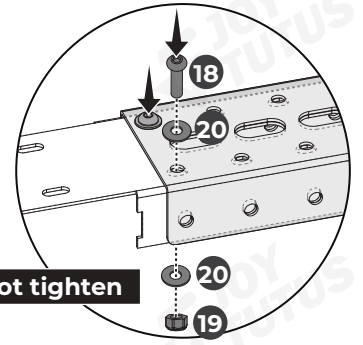
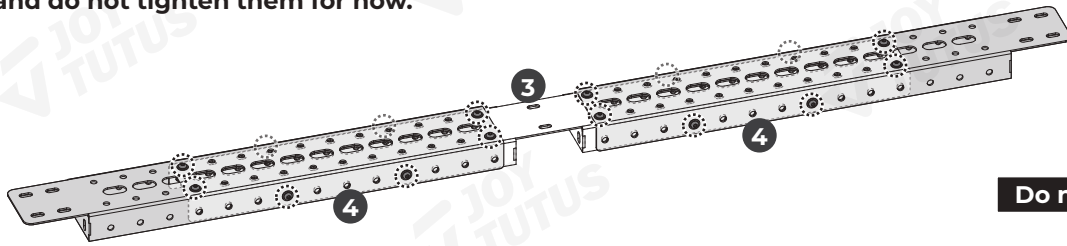
STEP 8-1

Based on the length of the side panel assembly 6 5 7 assembled in STEP 5, assemble two parts 4 and one part 3 together.



STEP 8-2

As shown in the figure, assemble parts **3** and **4** in two sets, and do not tighten them for now.



STEP 9


Required accessories:

18  (M6*20)
Screw * 28

19  (M6)
Lock Nut * 28

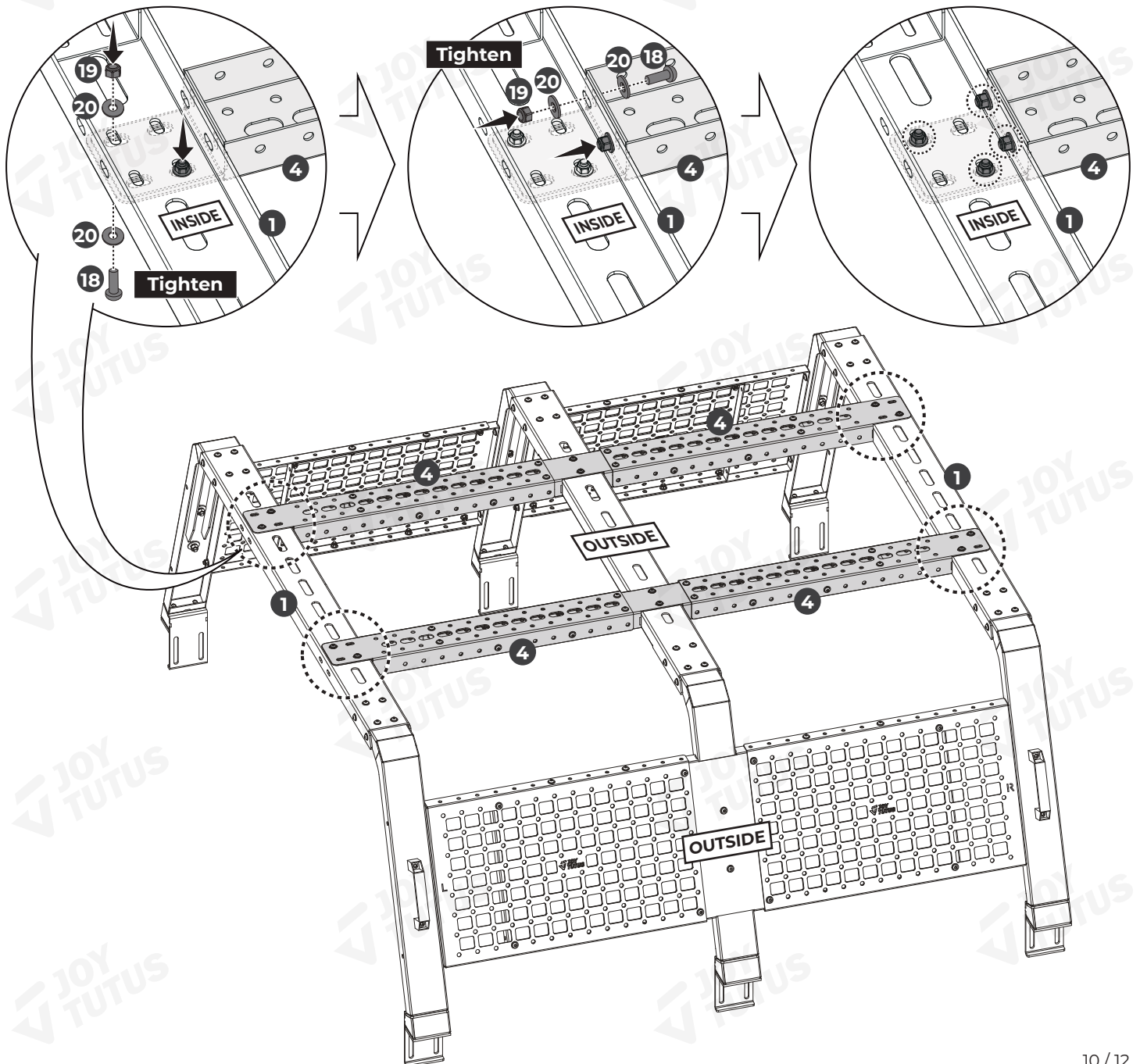
20  (M6)
Washer * 56

22 
4# Hex Key
* 1

23 
Double-ended Open-end
Wrench 10-13 * 1

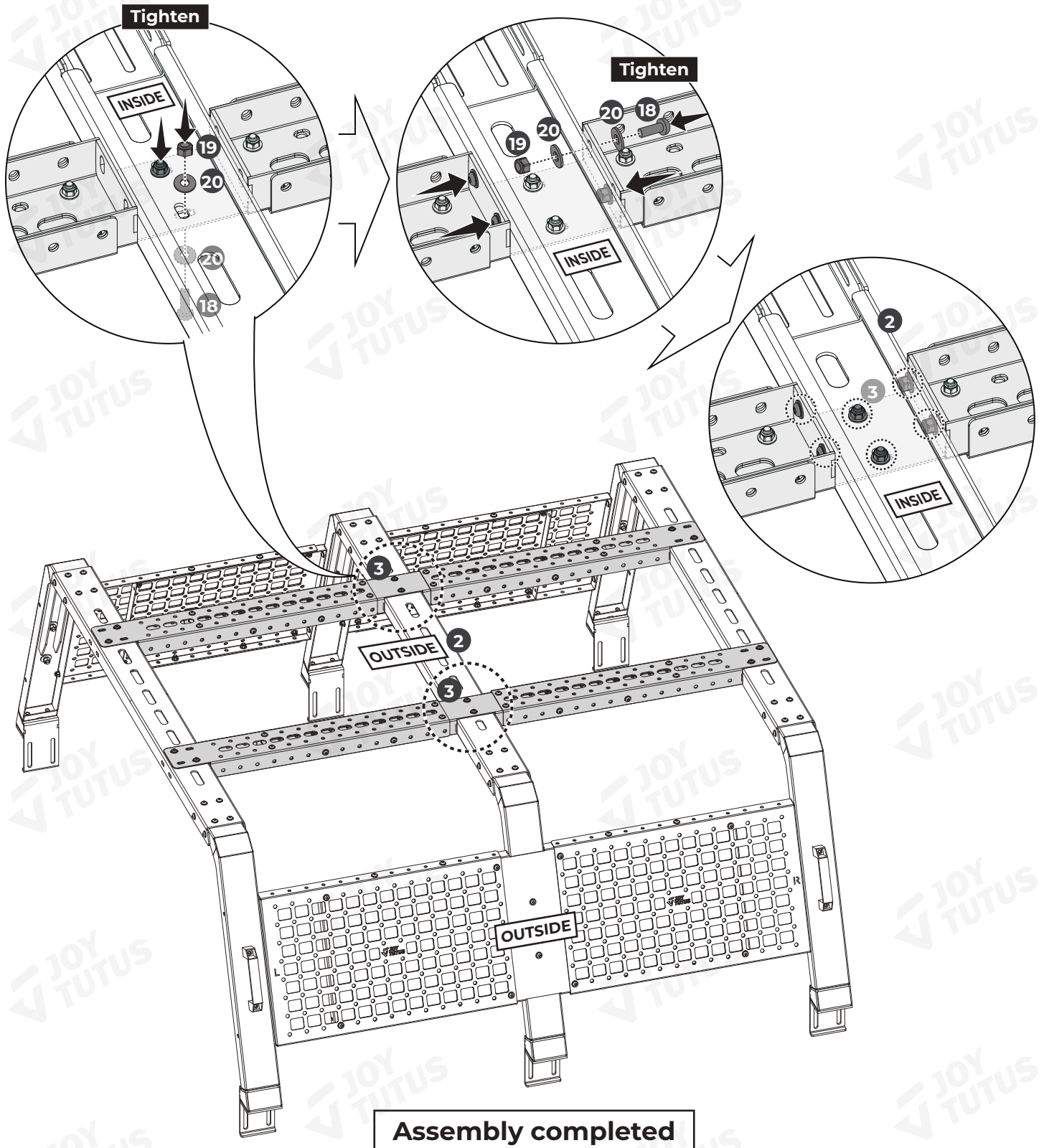
STEP 9-1

As shown in the figure, secure part **4** to part **1**, and tighten them directly.



STEP 9-2

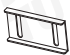





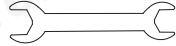
As shown in the figure, secure part **3** to part **2**, and tighten them directly.

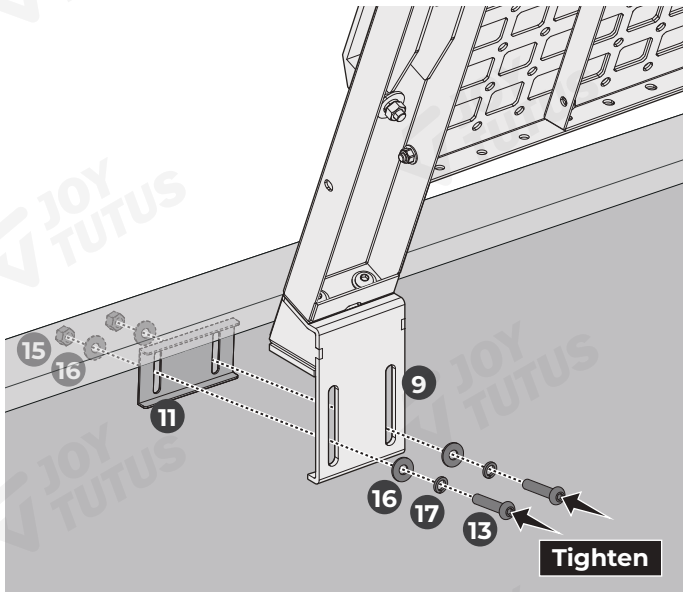


Move the assembled product onto the rear cargo bed of the vehicle, adjust the spacing, and then tighten the screws from **Step 2**, **Step 6**, and **Step 8**.


STEP 10

If the bucket has no track:

- 11**  Clamping Bracket * 6
- 13**  (M8*35) Screw * 12
- 15**  (M8) Nut * 12
- 16**  (M8) Washer * 24
- 17**  (M8) Spring Washer * 12
- 21**  5# Hex Key * 1
- 23**  Double-ended Open-end Wrench 10-13 * 1



If the bucket has track:

- 12**  Nut Plate * 6
- 14**  (M8*25) Screw * 12
- 16**  (M8) Washer * 12
- 17**  (M8) Spring Washer * 12
- 21**  5# Hex Key * 1

