

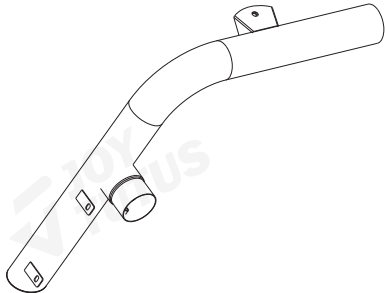
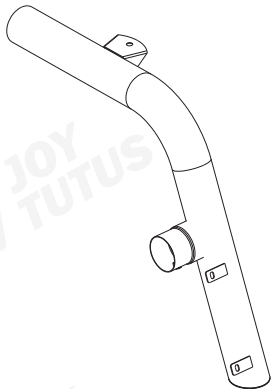

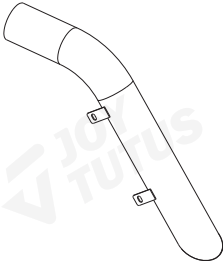
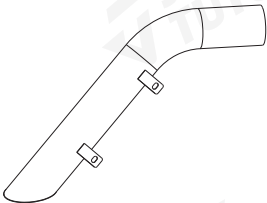



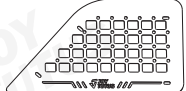






















IMPORTANT

Before installation, please make sure that all accessories are ready. (As shown in the picture below).

Installation Instructions



PRODUCT INFORMATION

-  **1** Left Bend Pipe x1
-  **2** Right Bend Pipe x1
-  **3** Middle Connecting Pipe x1
-  **4** Left Connecting Pipe x1
-  **5** Right Connecting Pipe x1
-  **6** Left Support Foot x1
-  **7** Right Support Foot x1
-  **8** Left Tactical Panel x1
-  **9** Right Tactical Panel x1
-  **10** Lamp Mounting Plate x2
-  **11** Rubber Pad A x2
-  **12** Rubber Pad B x2
-  **13** Mounting Clamp x4
-  **14** Mounting Nut Plate x4
-  M8 x 25
15 Flat Head Socket Cap Screw x20
(Include 2 spares)
-  M8 x 35
16 Flat Head Socket Cap Screw x9
(Include 1 spare)
-  **17** Φ8.4 x Φ22 x T1.5 Washer x32
(Include 2 spares)
-  M8
18 Split Lock Washer x20
(Include 2 spares)
-  M8
19 Hex Nut x14
(Include 2 spares)
-  M6 x 20
20 Flat Head Socket Cap Screw x9
(Include 1 spare)
-  **21** Φ6.4 x Φ18 x T1.2 Washer x18
(Include 2 spares)
-  M6
22 Split Lock Washer x9
(Include 1 spare)
-  M6
23 Hex Nut x9
(Include 1 spare)
-  M10 x 30
24 Hex Bolt x5
(Include 1 spare)
-  **25** Φ10.5 x Φ30 x T3.0 Washer x1
-  **26** Φ10.5 x Φ25 x T1.5 Washer x5
(Include 1 spare)
-  M10
27 Split Lock Washer x5
(Include 1 spare)
-  **28** L-shaped Hex Key (S=5) x1
-  **29** L-shaped Hex Key (S=4) x1
-  **30** 10-13 Double-ended Open-end Wrench x1
-  **31** 14-16 Double-ended Open-end Wrench x1

Customer Support

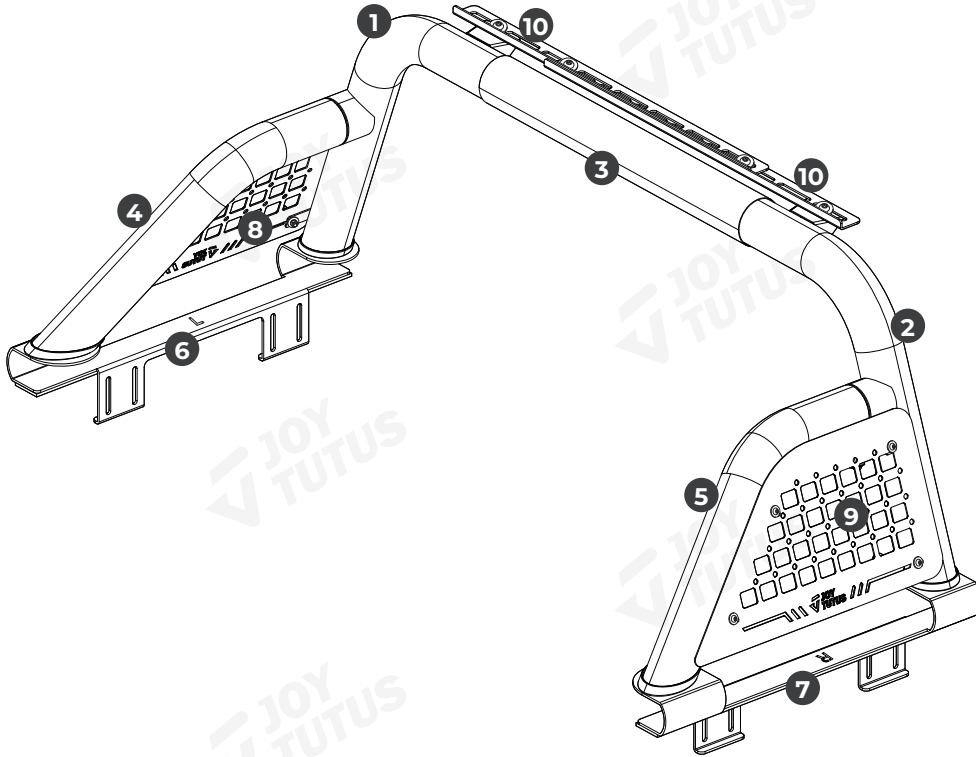


Contact us by email: service@joytutus.com

JOYTUTUS help center:
<http://support.joytutus.com>

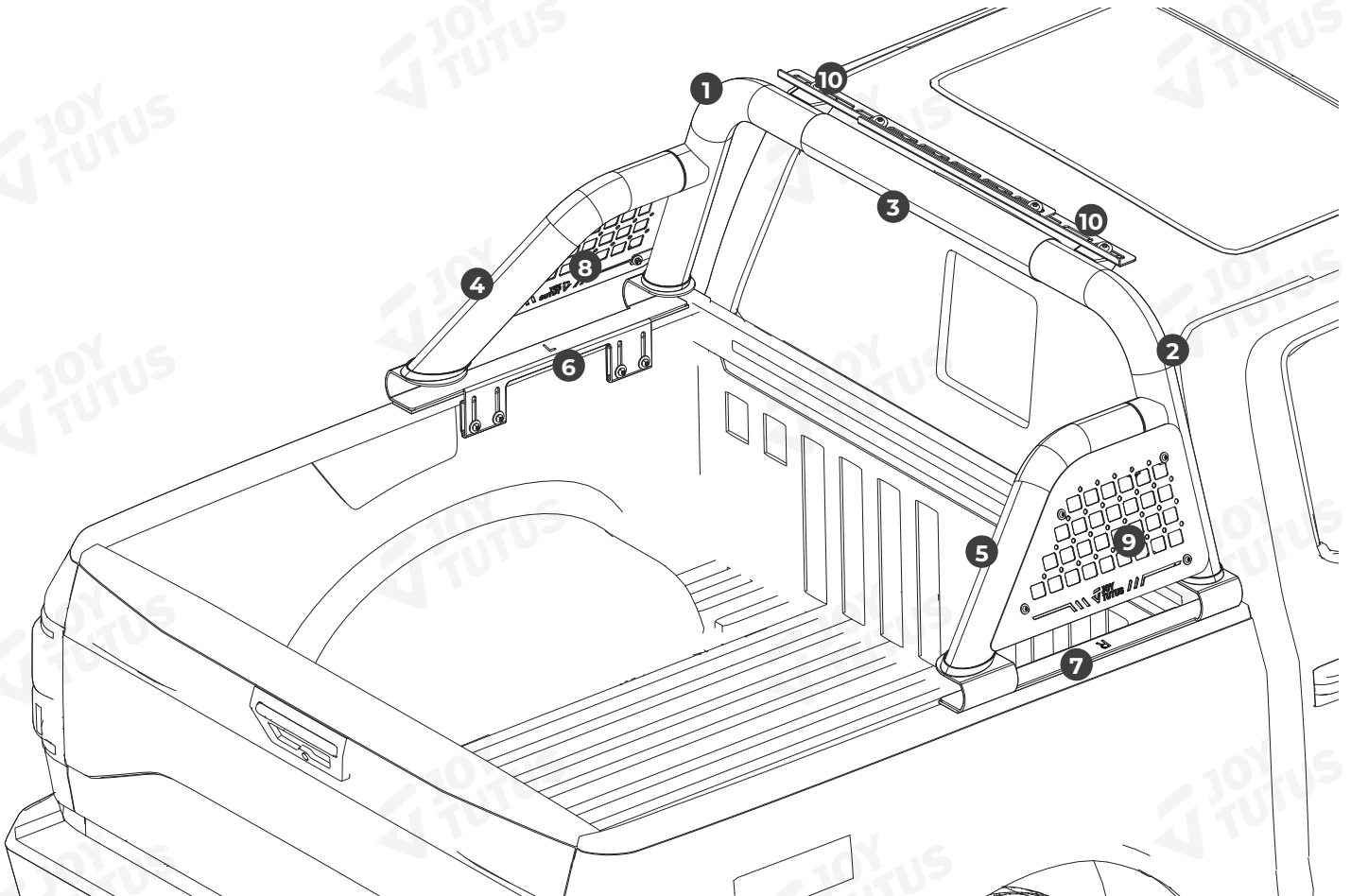


✓ INSTALLATION COMPLETION DIAGRAM



Assembly Completion Diagram

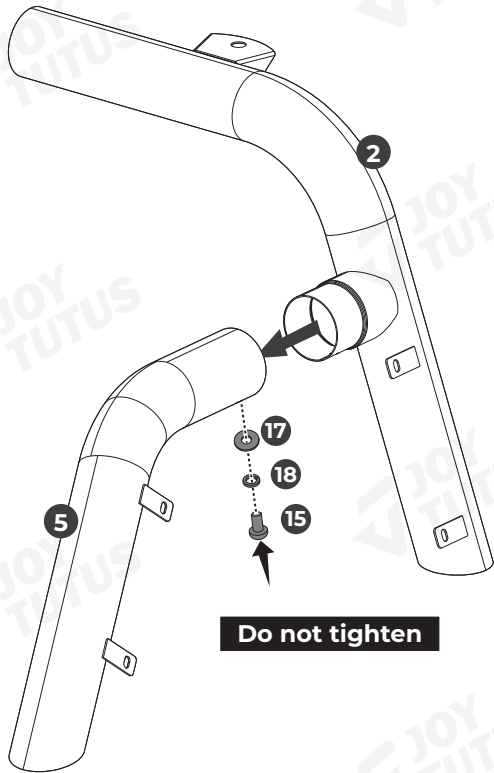
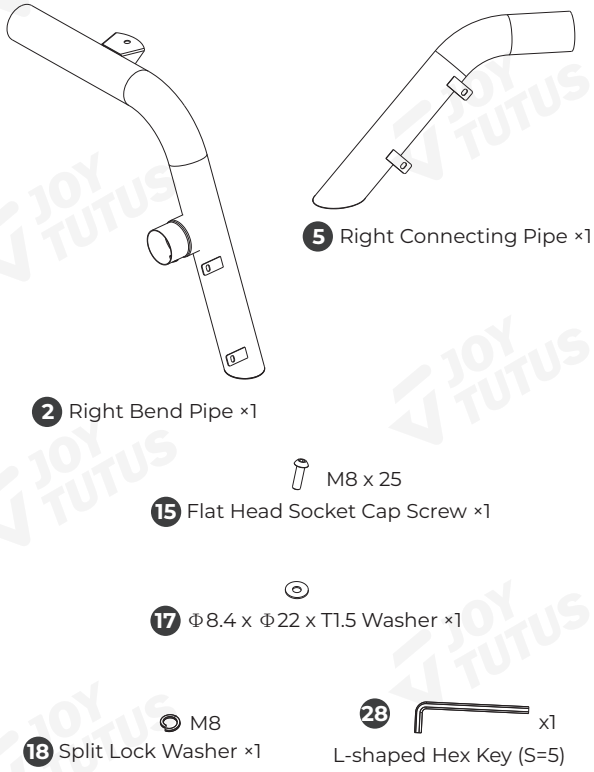
Installation Completion Diagram



INSTALLATION TIPS

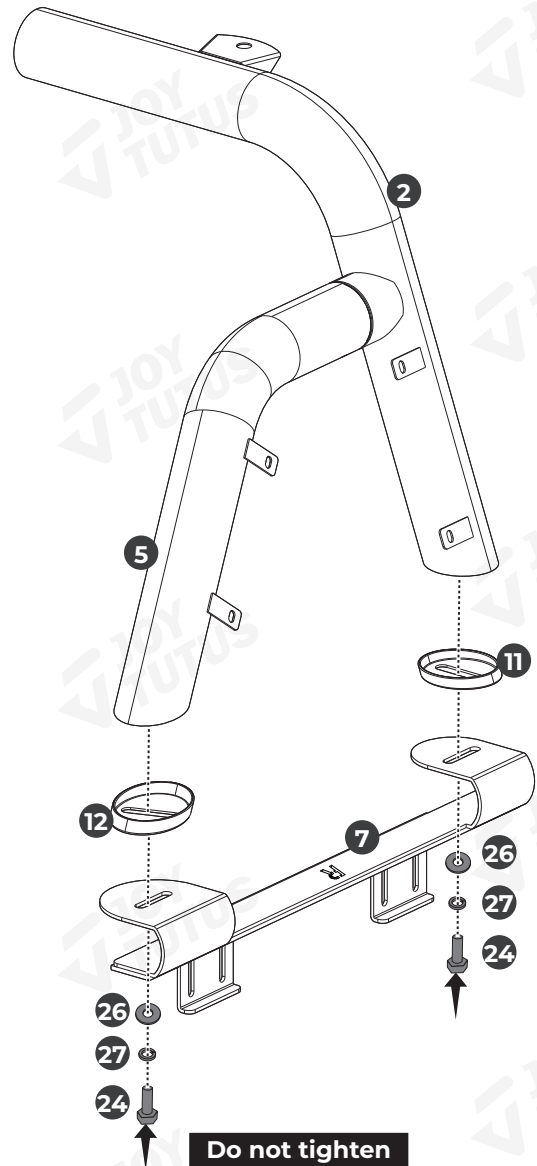
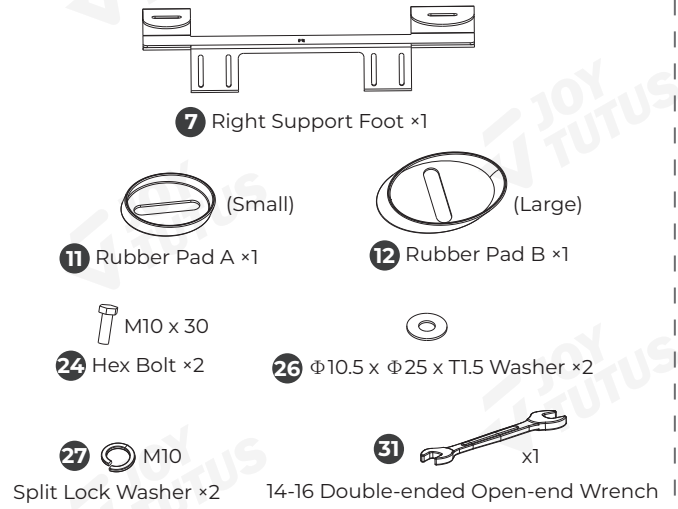
STEP 1

Required accessories:



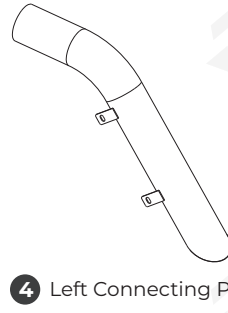
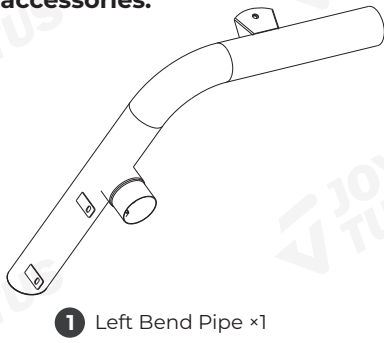
STEP 2

Required accessories:

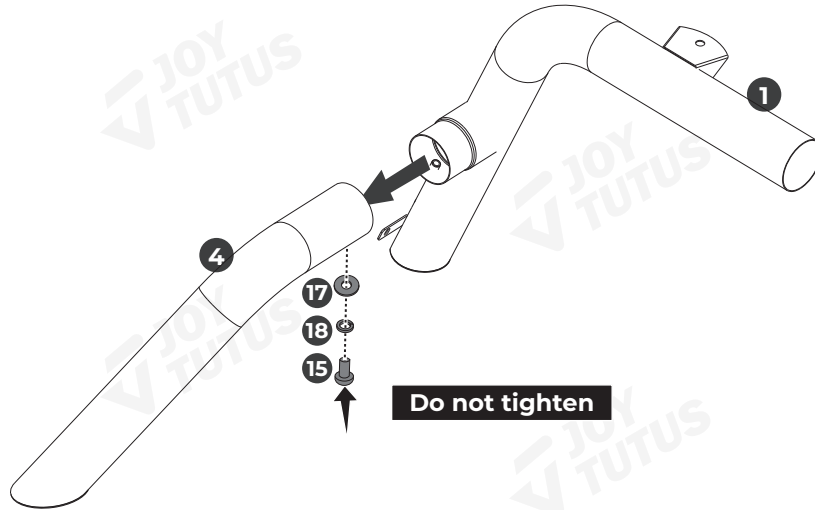


STEP 3

Required accessories:

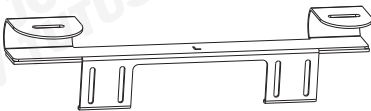


- M8 x 25
- 15 Flat Head Socket Cap Screw x1
- 17 $\Phi 8.4 \times \Phi 22 \times T1.5$ Washer x1
- M8
- 18 Split Lock Washer x1
- 28 L-shaped Hex Key (S=5) x1



STEP 4

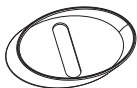
Required accessories:



- 11 Rubber Pad A x1



- 12 Rubber Pad B x1



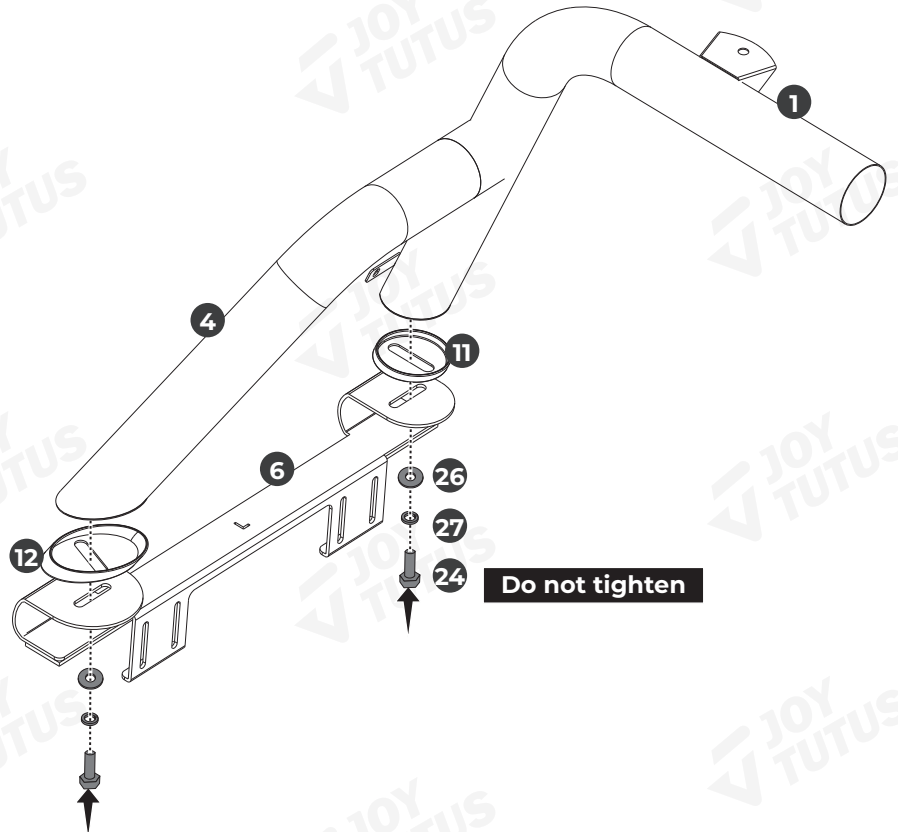
- M10 x 30
- 24 Hex Bolt x2



- 26 $\Phi 10.5 \times \Phi 25 \times T1.5$ Washer x2

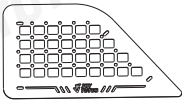


- M10
- 27 Split Lock Washer x2

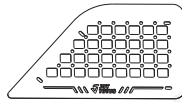


STEP 5

Required accessories:



8 Left Tactical Panel ×1



9 Right Tactical Panel ×1

20 Flat Head Socket Cap Screw ×8

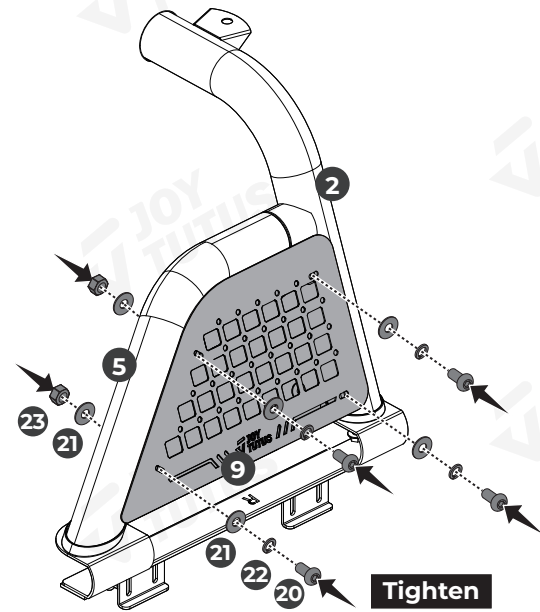
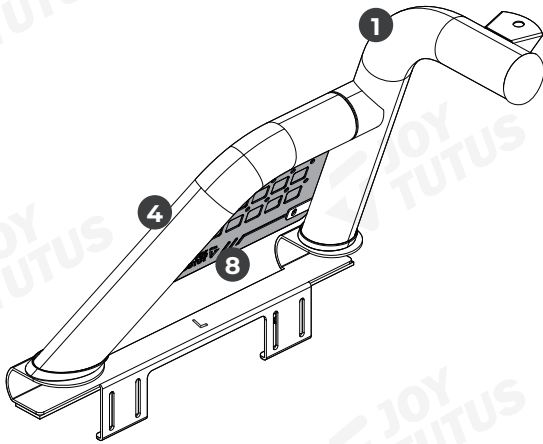
22 Split Lock Washer ×8

29 L-shaped Hex Key (S=4)

21 $\Phi 6.4 \times \Phi 18 \times T1.2$ Washer ×16

23 Hex Nut ×8

30 10-13 Double-ended Open-end Wrench



STEP 6

Required accessories:



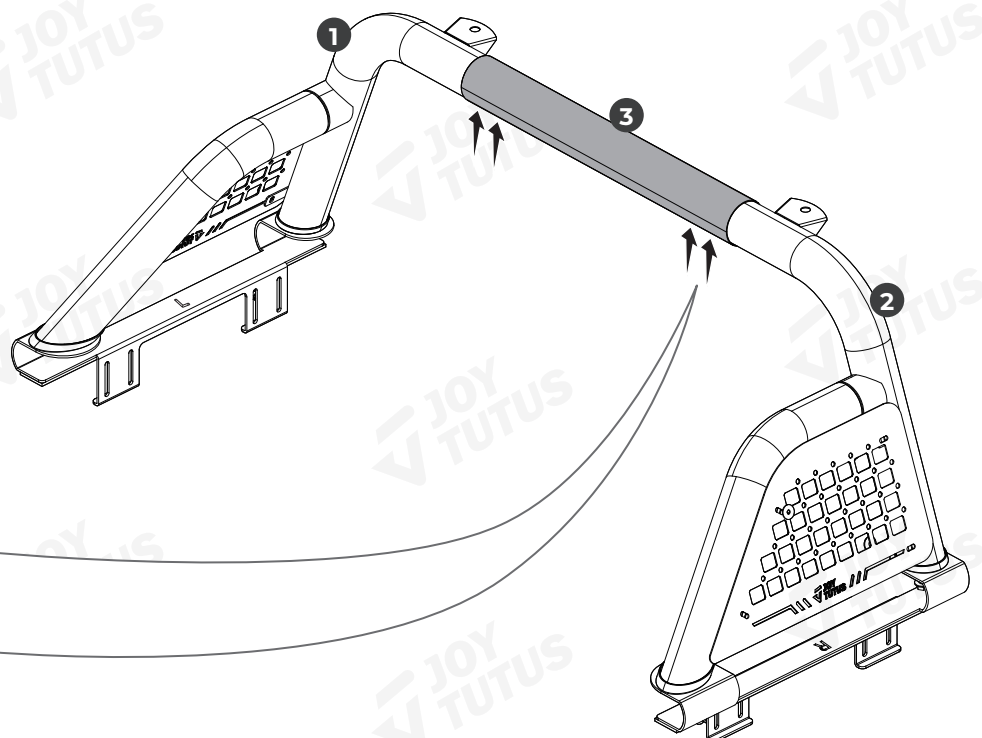
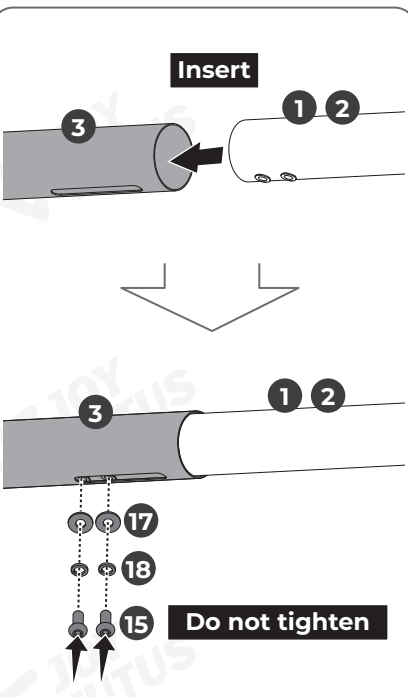
Middle Connecting Pipe *1

15 Flat Head Socket Cap Screw ×4

17 $\Phi 8.4 \times \Phi 22 \times T1.5$ Washer ×4









18 Split Lock Washer ×4

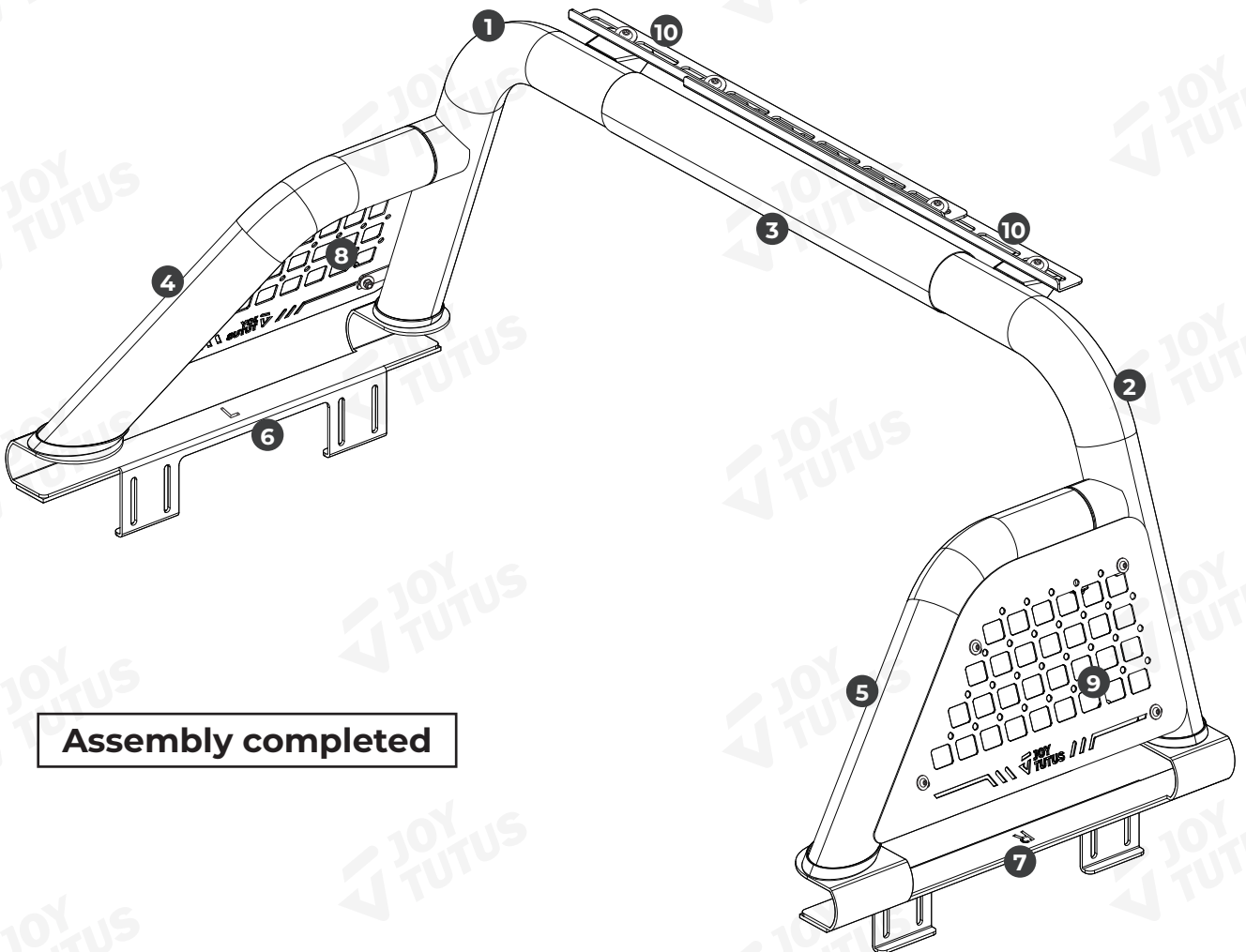
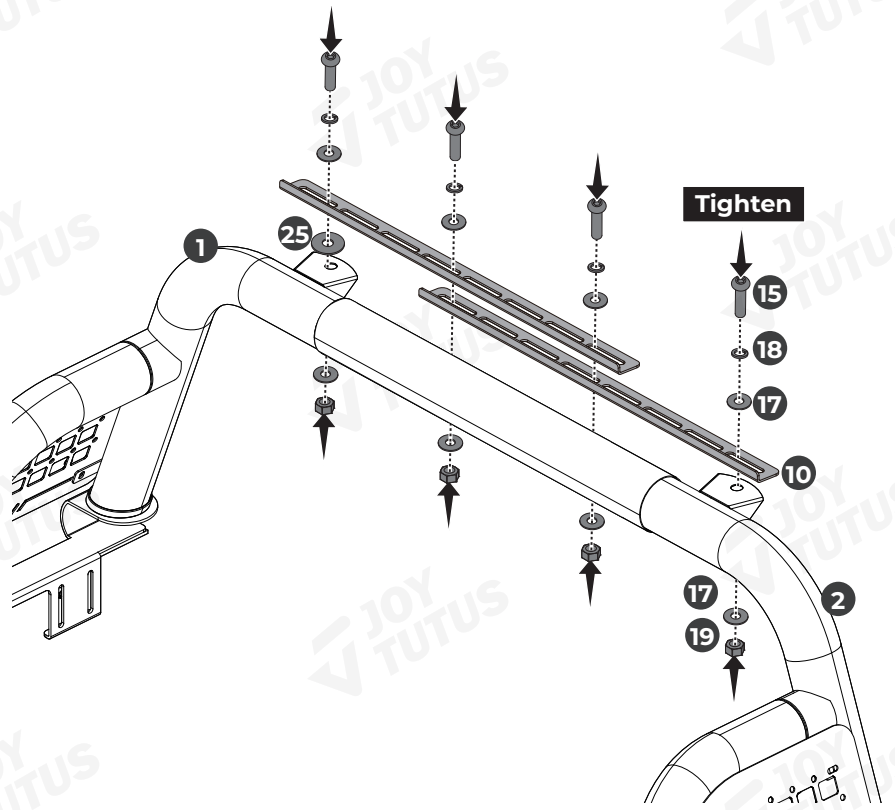
28 L-shaped Hex Key (S=5)



STEP 7

Required accessories:








-  **10** Lamp Mounting Plate ×2
-  M8 x 25
- 15** Flat Head Socket Cap Screw ×4
-  **17** $\Phi 8.4 \times \Phi 22 \times T1.5$ Washer ×8
-  M8
- 18** Split Lock Washer ×4
-  M8
- 19** Hex Nut ×4
-  **25** $\Phi 10.5 \times \Phi 30 \times T3.0$ Washer ×1
-  **28** x1
L-shaped Hex Key (S=5)
-  **30** x1
10-13 Double-ended Open-end Wrench

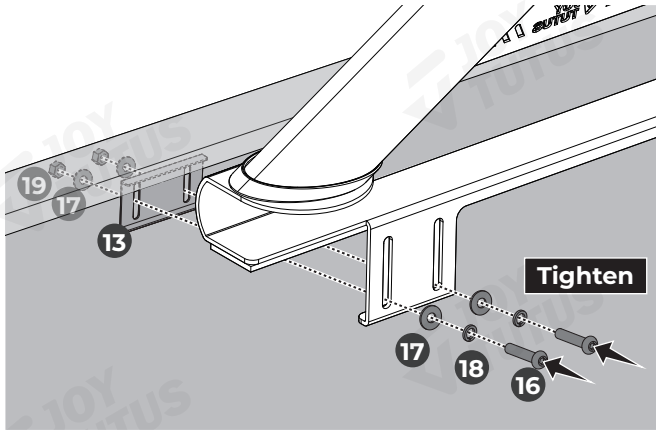


Assembly completed



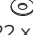



STEP 8

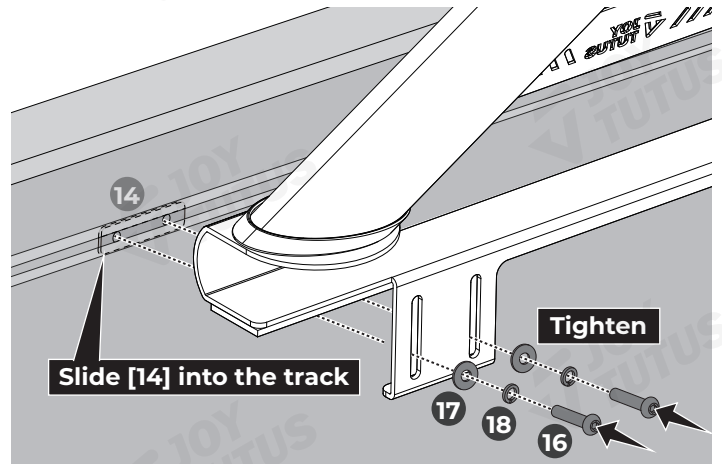
If the bucket has no track:

-  **13** Mounting Clamp ×4
-  **16** Flat Head Socket Cap Screw ×8
-  **17** $\Phi 8.4 \times \Phi 22 \times T1.5$ Washer ×16
-  **19** Hex Nut ×8
-  **18** Split Lock Washer ×8
-  **28** L-shaped Hex Key (S=5)
-  **30** 10-13 Double-ended Open-end Wrench

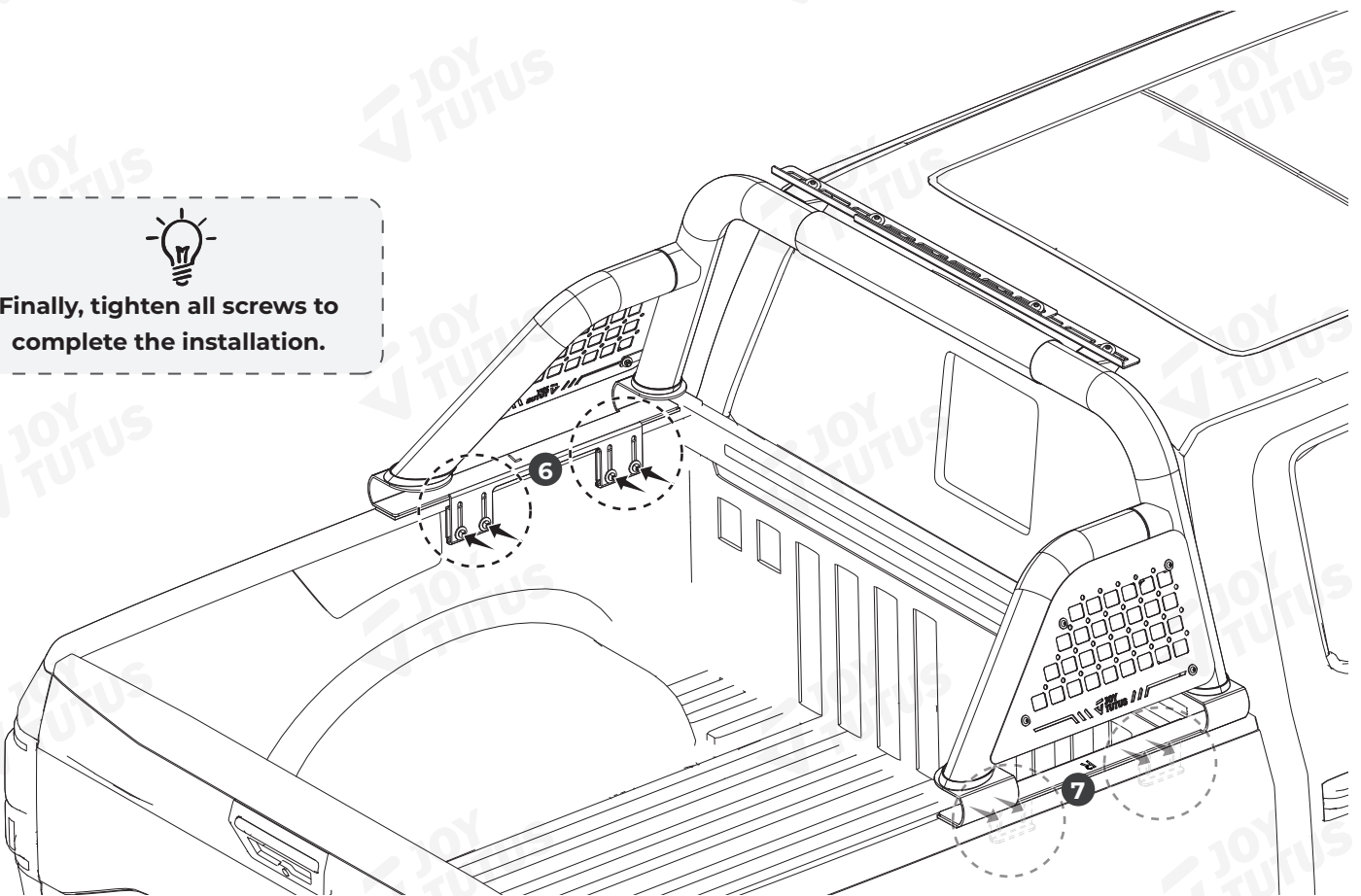


If the bucket has track:

-  **14** Mounting Nut Plate ×4
-  **16** Flat Head Socket Cap Screw ×8
-  **17** $\Phi 8.4 \times \Phi 22 \times T1.5$ Washer ×8
-  **18** Split Lock Washer ×8
-  **28** L-shaped Hex Key (S=5)
-  **30** 10-13 Double-ended Open-end Wrench



Finally, tighten all screws to complete the installation.



If you have any questions, please visit Joytutus website or email for quick response.
 Web: www.joytutus.com
 Email: Service@joytutus.com