
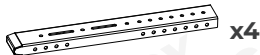

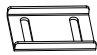











IMPORTANT

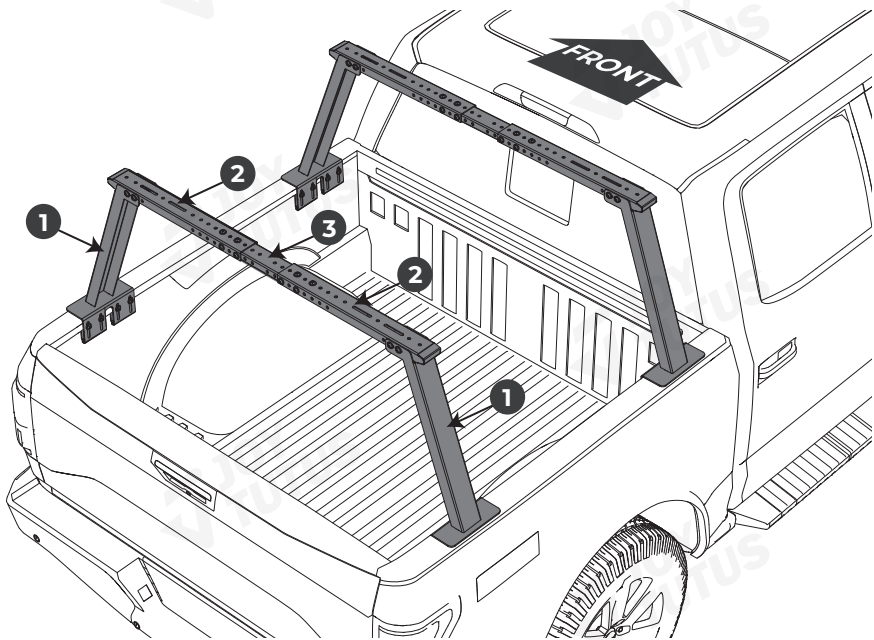
Before installation, please make sure that all accessories are ready.
(As shown in the picture below)




PRODUCT INFORMATION

- 1**  x4
Foot Code
- 2**  x4
Cross Bar
- 3**  x2
Middle Connecting Rod
- 4**  x8
Mounting Clamp Code
- 5**  x8
Mounting Nut Plate
- 6**  x18
M8*40 Screw
(Includes 2 spares)
- 7**  x58
M8*25 Screw
(Includes 2 spares)
- 8**  x118
M8*20*1.5 Washer
(Includes 6 spares)
- 9**  x34
M8 Open Spring Washer
(Includes 2 spares)
- 10**  x18
M8 Hex Nut
(Includes 2 spares)
- 11**  x42
M8 Nylon Lock Nut
(Includes 2 spares)
- 12**  x1
S=5 Hex Key
- 13**  x1
13mm
Open-End Wrench

INSTALLATION COMPLETION DIAGRAM



Customer Support

 Contact us by email: service@joytutus.com

JOYTUTUS help center:
<http://support.joytutus.com>



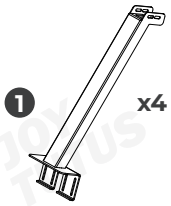
INSTALLATION METHOD

STEP 1:

Using tools [12][13] to secure accessories [7][8][11] to [1][2][3].

(Tip: The diagram shows a single pair installation example; the installation method for the other pair is the same.)

Required accessories:



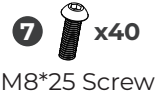
Foot Code



Cross Bar



Middle Connecting Rod



M8*25 Screw



M8*20*1.5 Washer



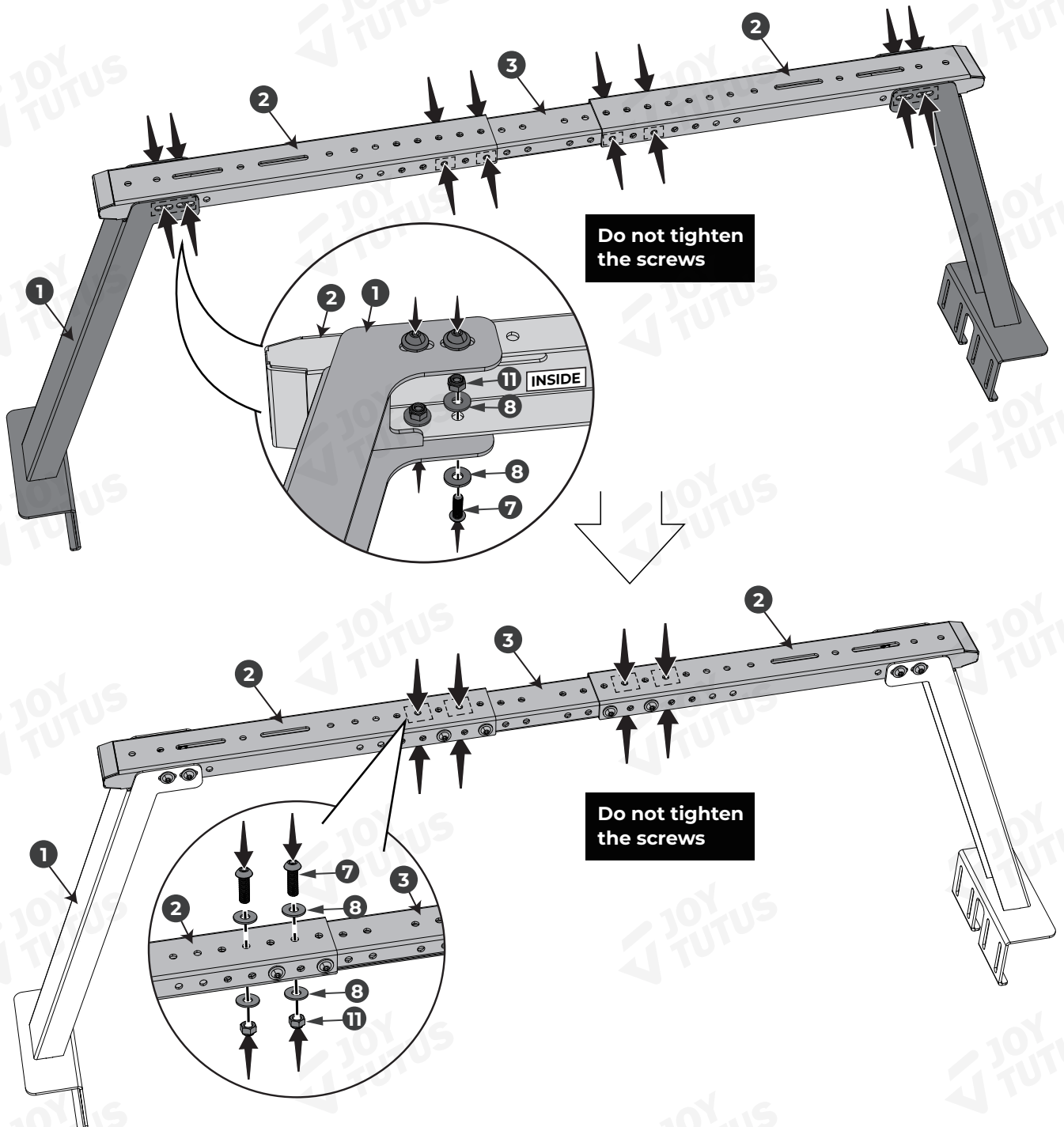
M8 Nylon Lock Nut



S=5 Hex Key



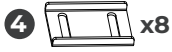
13mm Open-End Wrench



STEP 2:

WITHOUT SLIDING TRACK VERSION

Required accessories:



Mounting Clamp Code



M8*40 Screw



M8*20*1.5 Washer



M8 Open Spring Washer



M8 Hex Nut

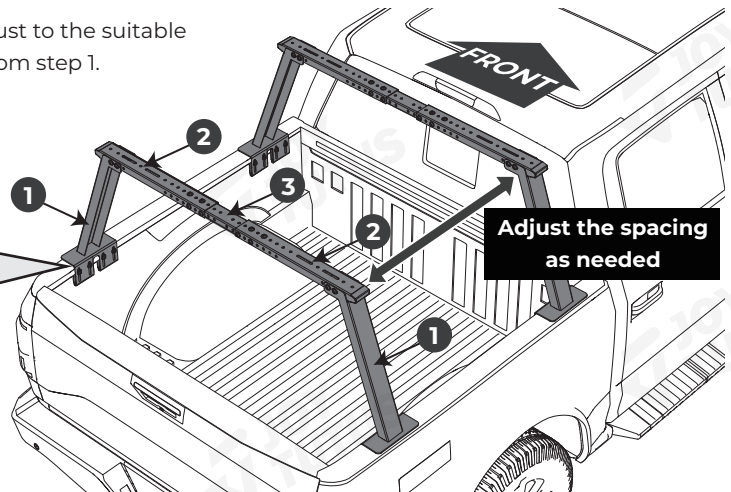
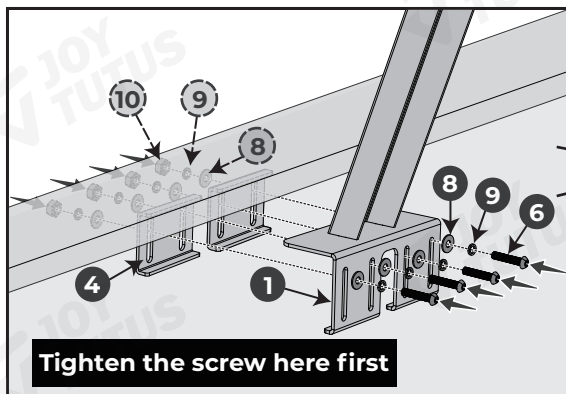


S=5 Hex Key



13mm Open-End Wrench

Place the ladder rack onto the cargo compartment, adjust to the suitable width and secure both sides, then tighten the screws from step 1.



WITH SLIDING TRACK VERSION

Required accessories:



Mounting Nut Plate



M8*25 Screw



M8*20*1.5 Washer

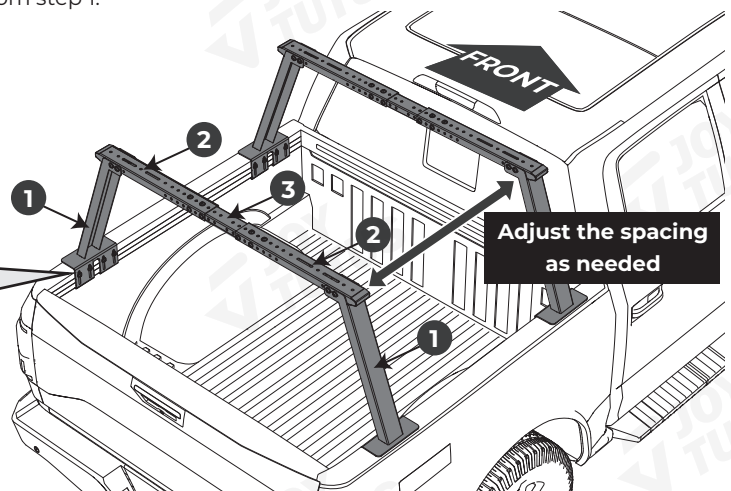
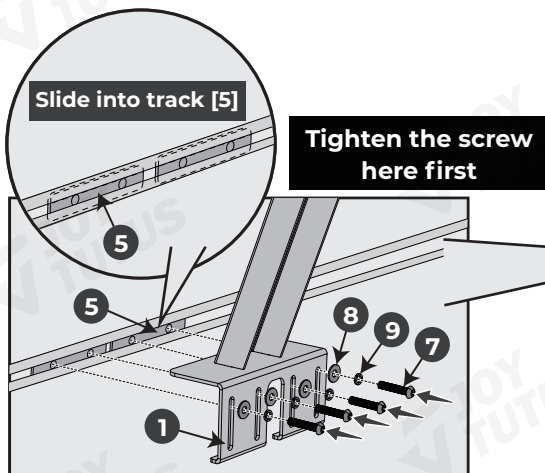


M8 Open Spring Washer



S=5 Hex Key

Place the ladder rack onto the cargo compartment, adjust to the suitable width and secure both sides, then tighten the screws from step 1.



If you have any questions, please visit Joytutus website for quick response.
Web: www.joytutus.com