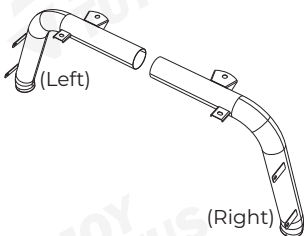


IMPORTANT

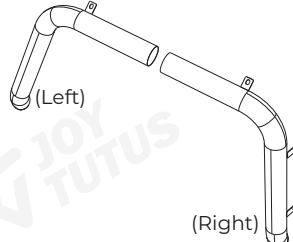
Before installation, please make sure that all accessories are ready.
(As shown in the picture below).

PRODUCT INFORMATION

Installation Instructions



1 $\Phi 76*1.2*869$ Bent Tubes
(Left and Right) $\times 1$



2 $\Phi 76*1.2*1035$ Bent Tubes
(Left and Right) $\times 1$

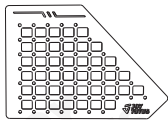
3 Middle Connecting Pipe $\times 2$

4 $\Phi 19*1.0*510$ Crossbar $\times 2$

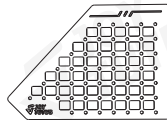
5 $\Phi 19*1.0*565$ Crossbar $\times 2$

6 Crossbar Connecting Tube $\times 2$

7 Light Plate $\times 2$



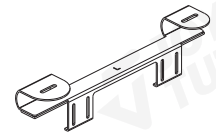
8 Left Tactical Panel $\times 1$



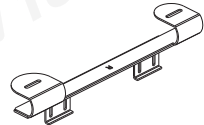
9 Right Tactical Panel $\times 1$



10 Rubber Washer $\times 4$



11 Left Mounting Bracket $\times 1$



12 Right Mounting Bracket $\times 1$



13 Mounting Clamp $\times 4$



14 Mounting Nut Plate $\times 4$



15 Flat Round Head Screw $\times 16$
(Include 2 spares)



16 Flat Round Head Screw $\times 9$
(Include 1 spares)



17 $\Phi 8*\Phi 22*1.5$ Oversized
Flat Washer $\times 38$
(Include 2 spares)



18 Spring Washer $\times 24$
(Include 2 spares)



19 Hex Nut $\times 15$
(Include 1 spares)



20 Flat Round Head Screw $\times 9$
(Include 1 spare)



21 Flat Round Head Screw $\times 14$
(Include 2 spare)



22 $\Phi 6*\Phi 18*1.2$ Oversized
Flat Washer $\times 38$
(Include 2 spares)



23 Spring Washer $\times 22$
(Include 2 spare)



24 Hex Nut $\times 18$
(Include 2 spare)



25 Hex Head Bolt $\times 5$
(Include 1 spares)



26 $\Phi 10.5*\Phi 30*3.0$ Oversized
Flat Washer $\times 1$



27 $\Phi 10.5*\Phi 25*1.5$ Washer $\times 5$
(Include 1 spare)



28 Spring Washer $\times 5$
(Include 1 spare)



29 L-shaped Hex Key (S=4) $\times 1$



30 L-shaped Hex Key (S=5) $\times 1$



31 10-13 Double-ended
Open-end Wrench $\times 1$



32 14-16 Double-ended
Open-end Wrench $\times 1$

Customer Support

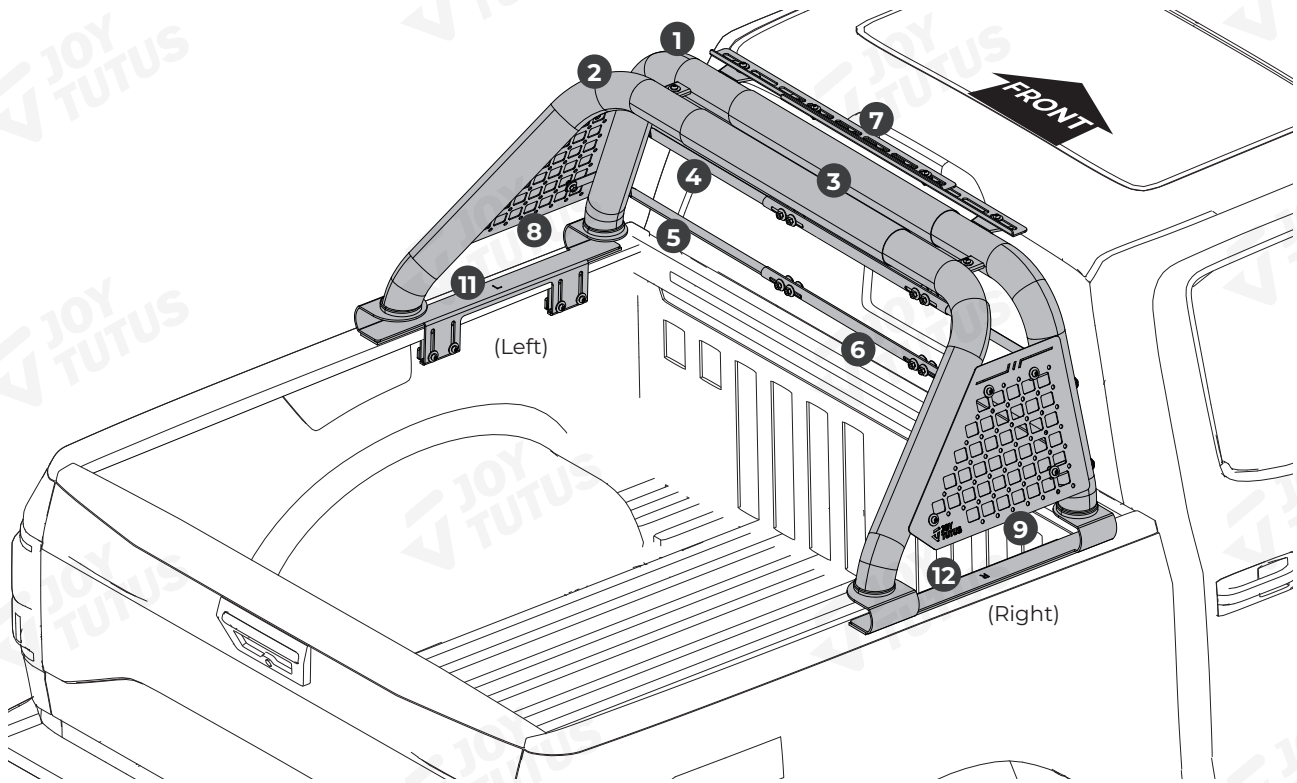


Contact us by email: service@joytutus.com

JOYTUTUS help center:
<http://support.joytutus.com>



INSTALLATION COMPLETION DIAGRAM

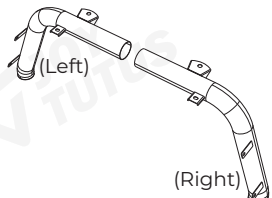


INSTALLATION TIPS

STEP 1

STEP 1-1

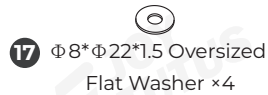
Required accessories:



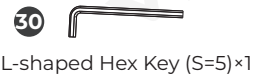
1 $\Phi 76 \times 1.2 \times 869$ Bent Tubes (Left and Right) $\times 1$



3 Middle Connecting Pipe $\times 1$



17 $\Phi 8 \times \Phi 22 \times 1.5$ Oversized Flat Washer $\times 4$



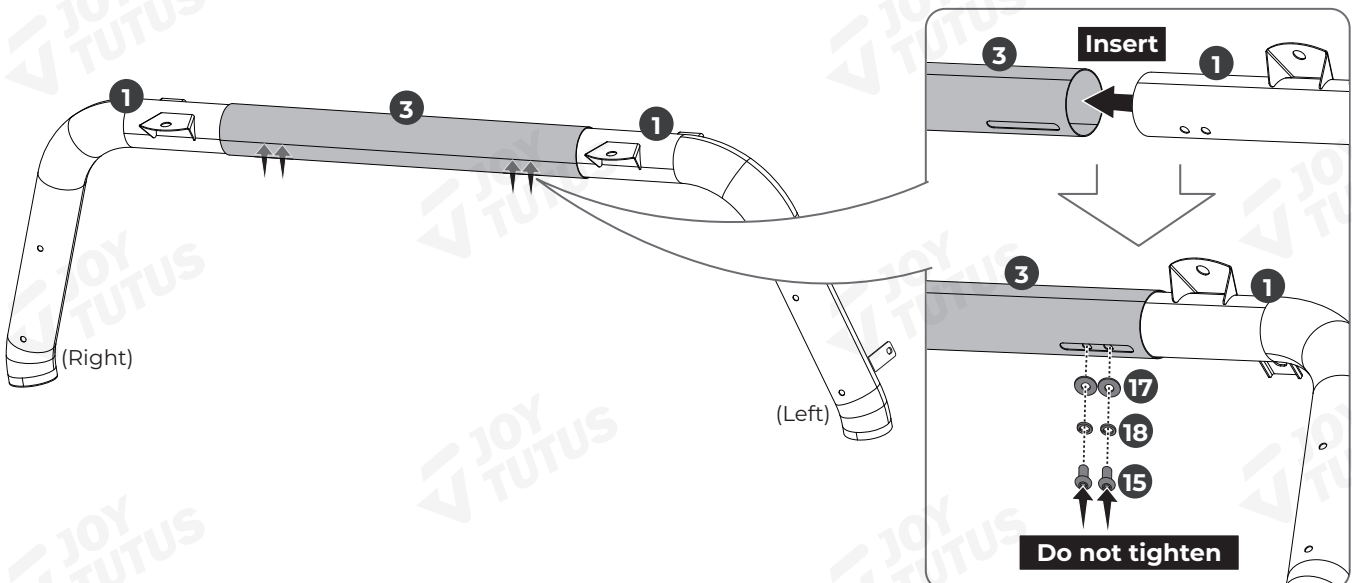
30 L-shaped Hex Key (S=5) $\times 1$



15 M8 $\times 25$ Flat Round Head Screw $\times 4$

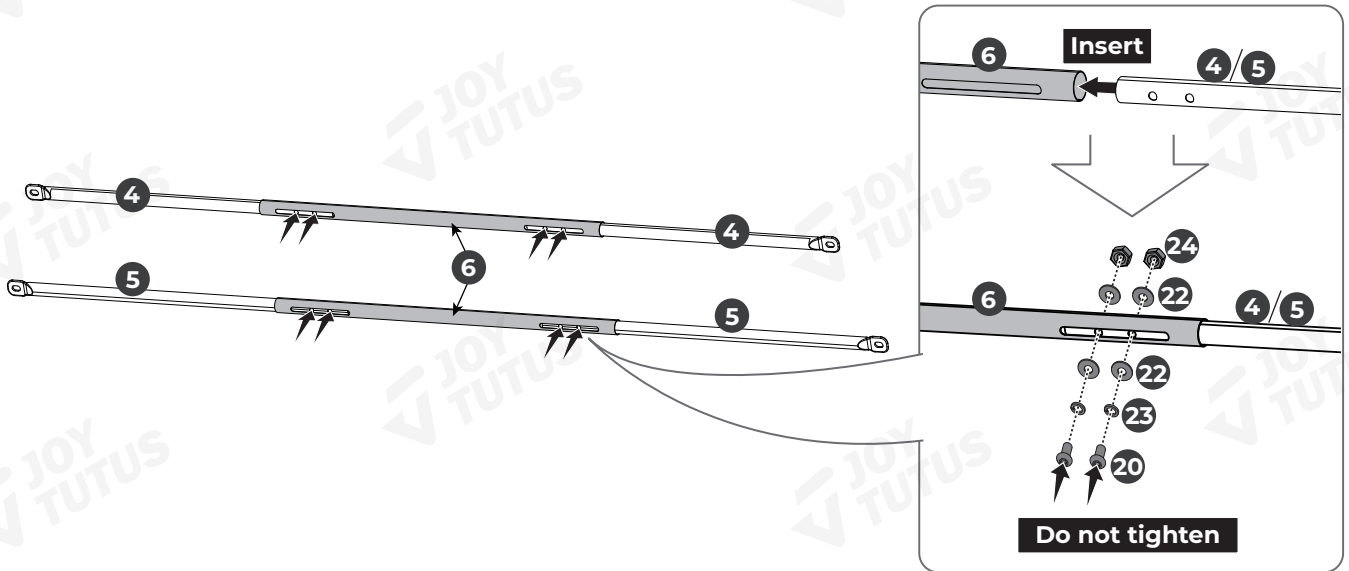
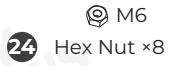
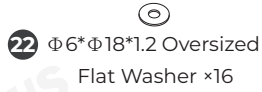
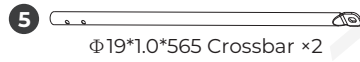
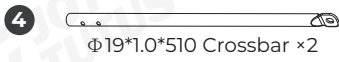


18 M8 Spring Washer $\times 4$



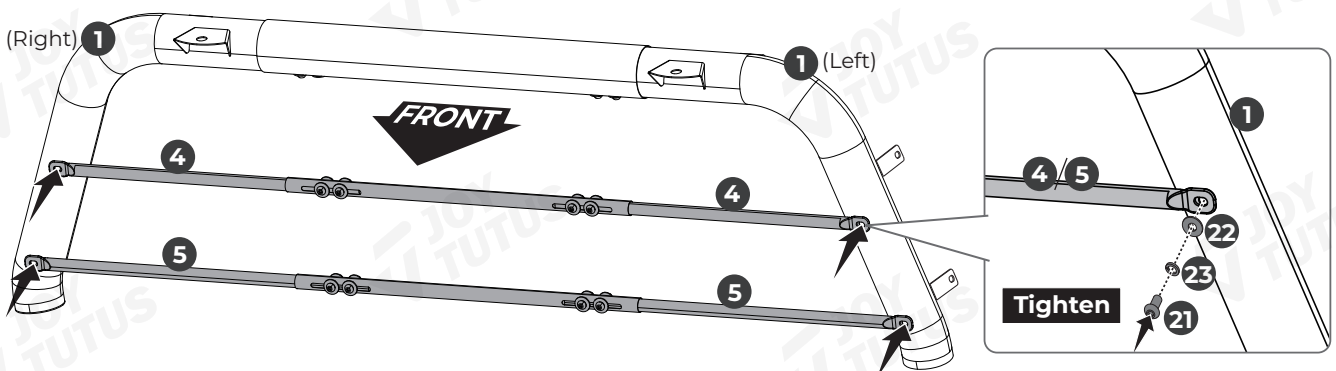
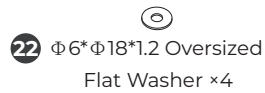
STEP 1-2

Required accessories:



STEP 1-3

Required accessories:



STEP 1-4

Required accessories:

15 M8 x 25 Flat Round Head Screw × 4

17 $\Phi 8 \times \Phi 22 \times 1.5$ Oversized Flat Washer × 8

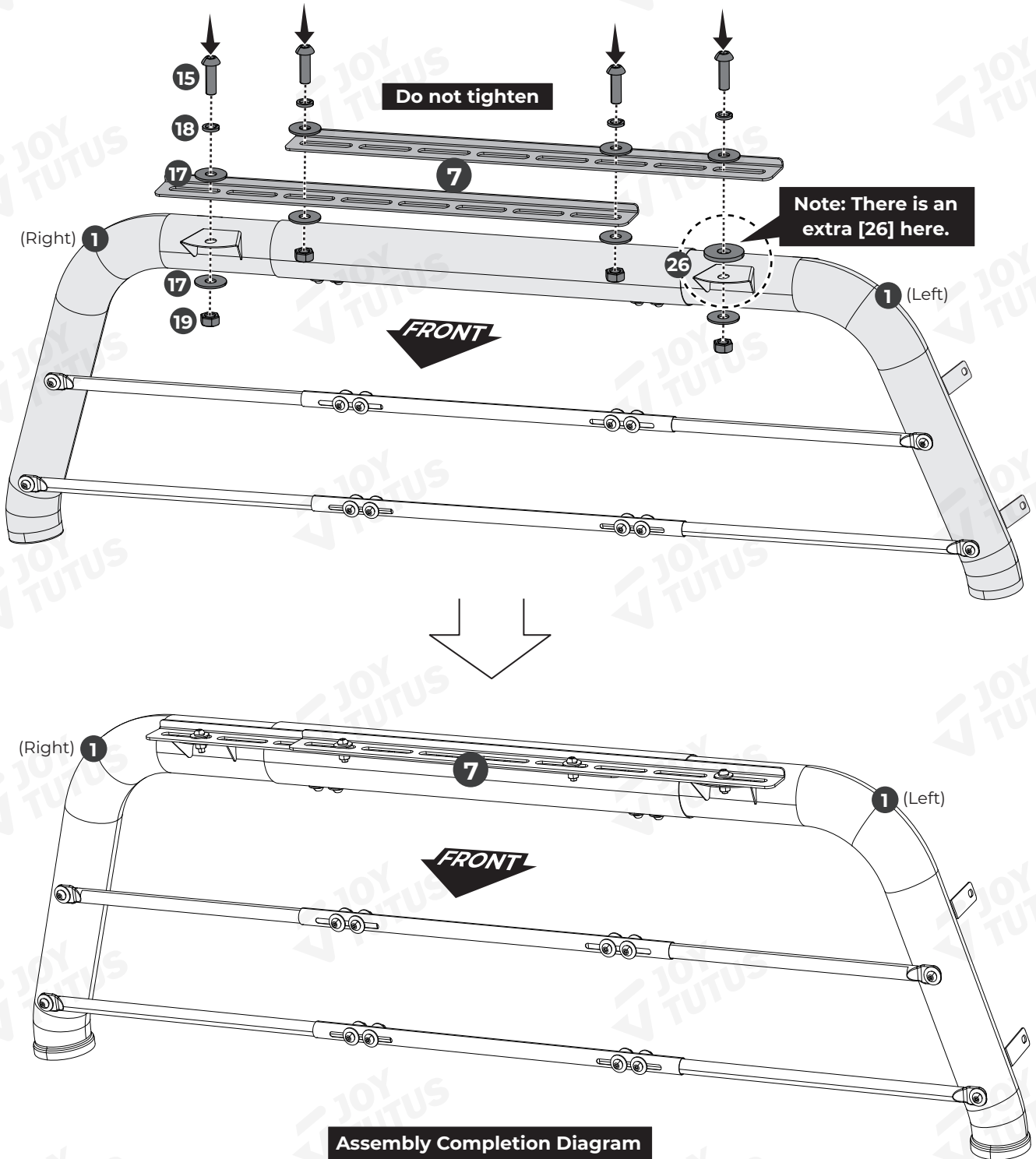
18 M8 Spring Washer × 4

19 M8 Hex Nut × 4

26 $\Phi 10.5 \times \Phi 30 \times 3.0$ Oversized Flat Washer × 1

30 L-shaped Hex Key (S=5) × 1

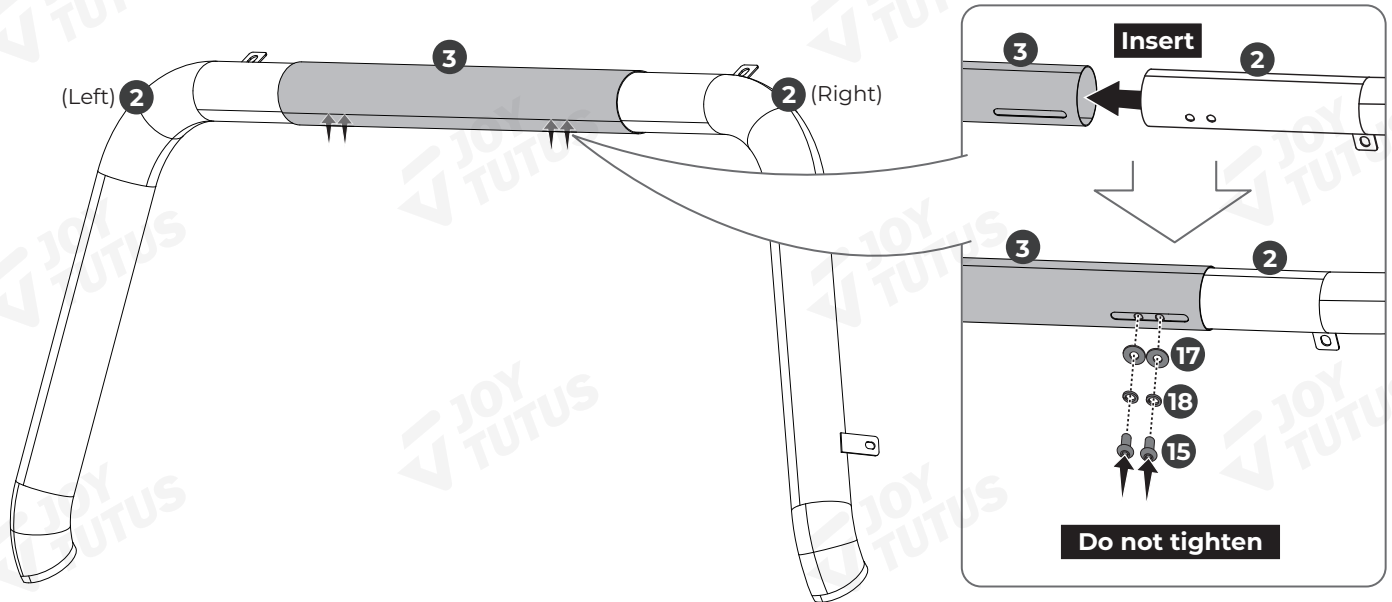
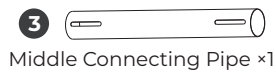
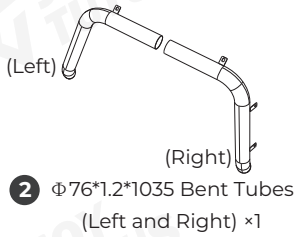
31 10-13 Double-ended Open-end Wrench × 1



STEP 2

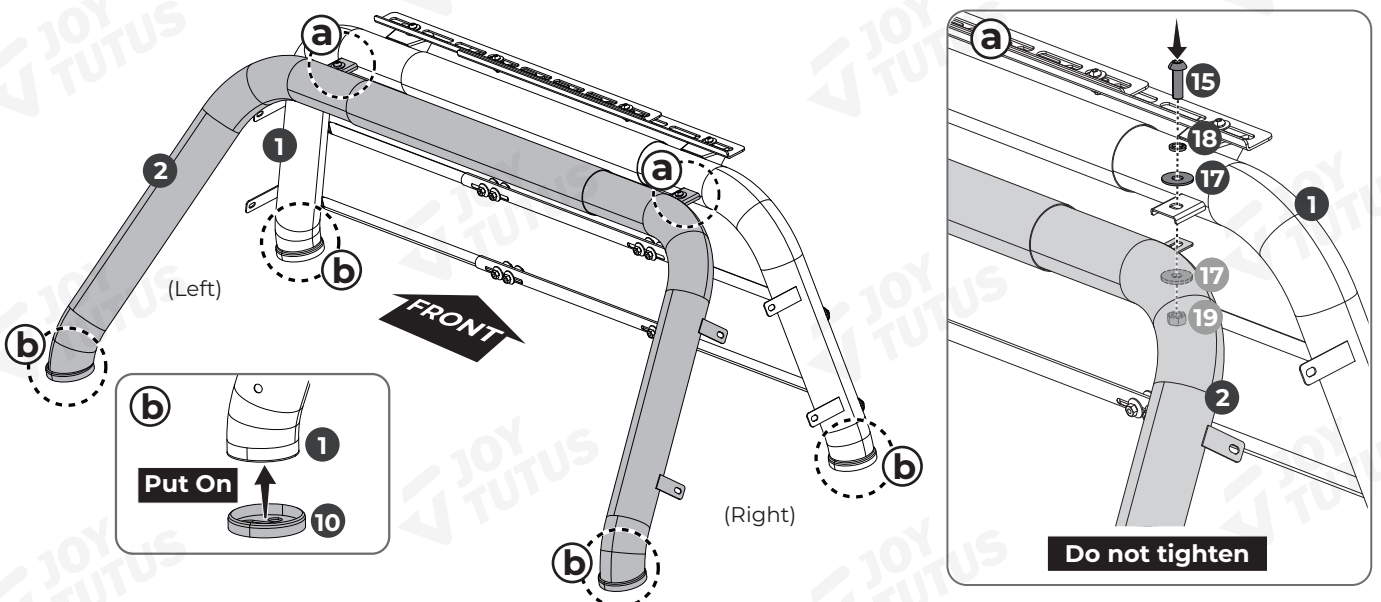
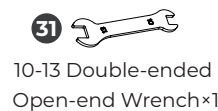
STEP 2-1

Required accessories:



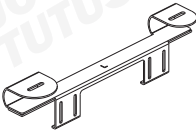
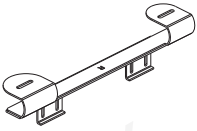
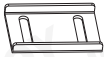






STEP 2-2

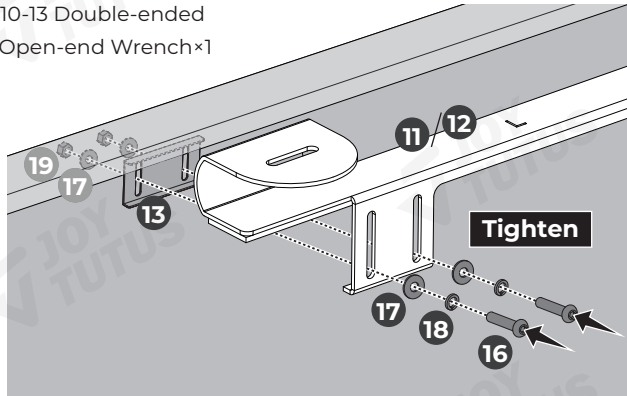
Required accessories:



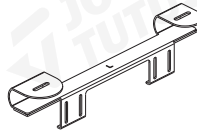
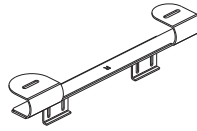





STEP 3

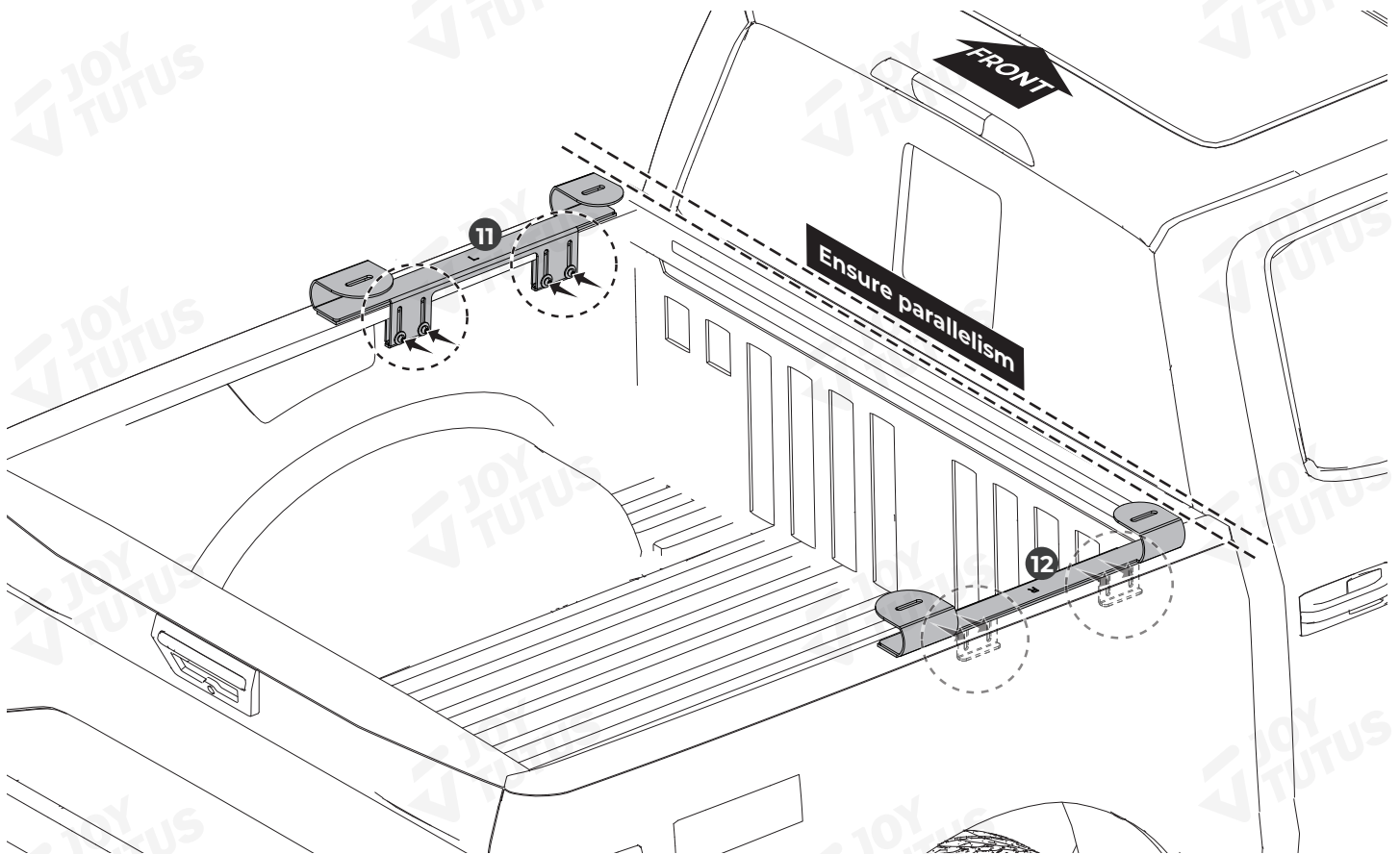
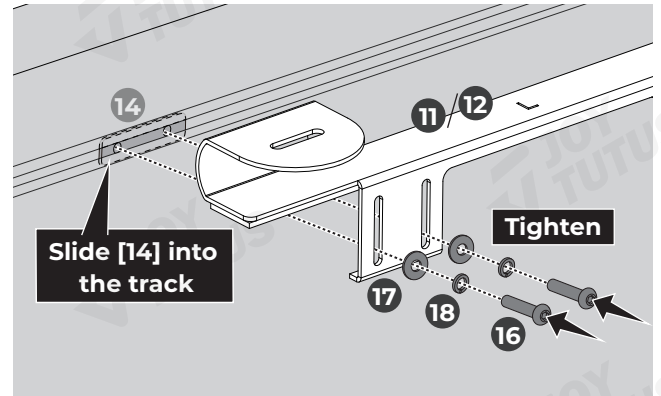
If the bucket has no track:

-  **11** Left Mounting Bracket ×1
-  **12** Right Mounting Bracket ×1
-  **13** Mounting Clamp ×4
-  M8 x 35
16 Flat Round Head Screw ×8
-  M8
18 Spring Washer ×8
-  **17** $\Phi 8 \times \Phi 22 \times 1.5$ Oversized Flat Washer ×16
-  M8
19 Hex Nut ×8
-  **30** L-shaped Hex Key (S=5) ×1
-  **31** 10-13 Double-ended Open-end Wrench ×1










If the bucket has track:

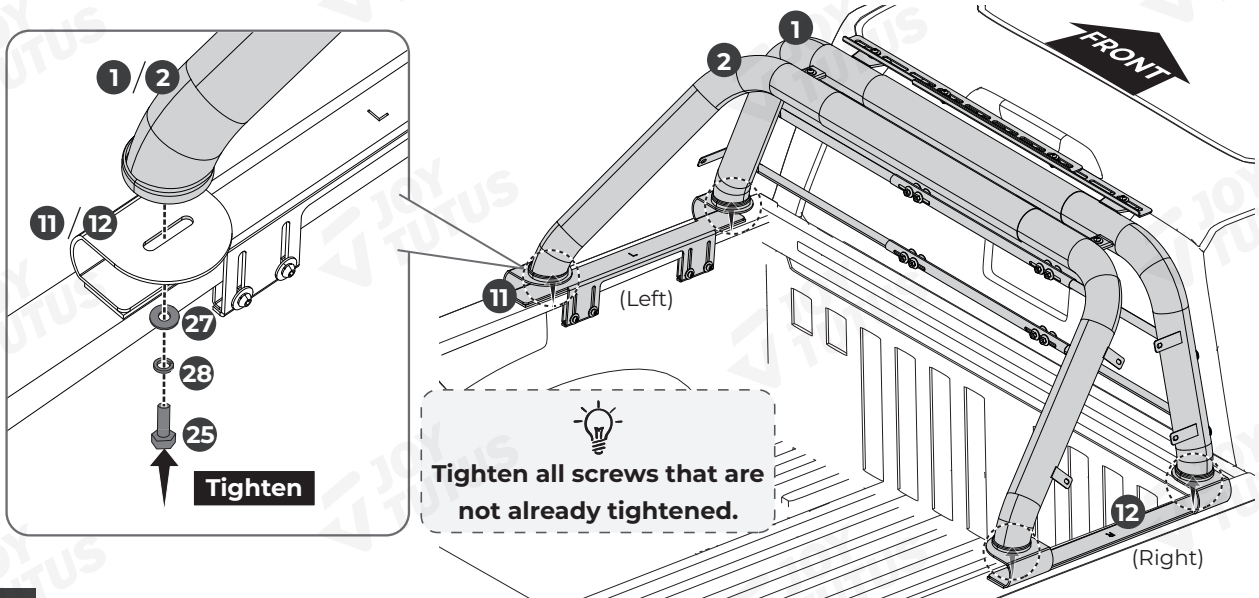
-  **11** Left Mounting Bracket ×1
-  **12** Right Mounting Bracket ×1
-  **14** Mounting Nut Plate ×4
-  M8 x 35
16 Flat Round Head Screw ×8
-  M8
18 Spring Washer ×8
-  **17** $\Phi 8 \times \Phi 22 \times 1.5$ Oversized Flat Washer ×8
-  **30** L-shaped Hex Key (S=5) ×1



STEP 4

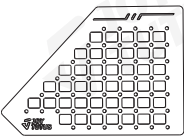
Required accessories:

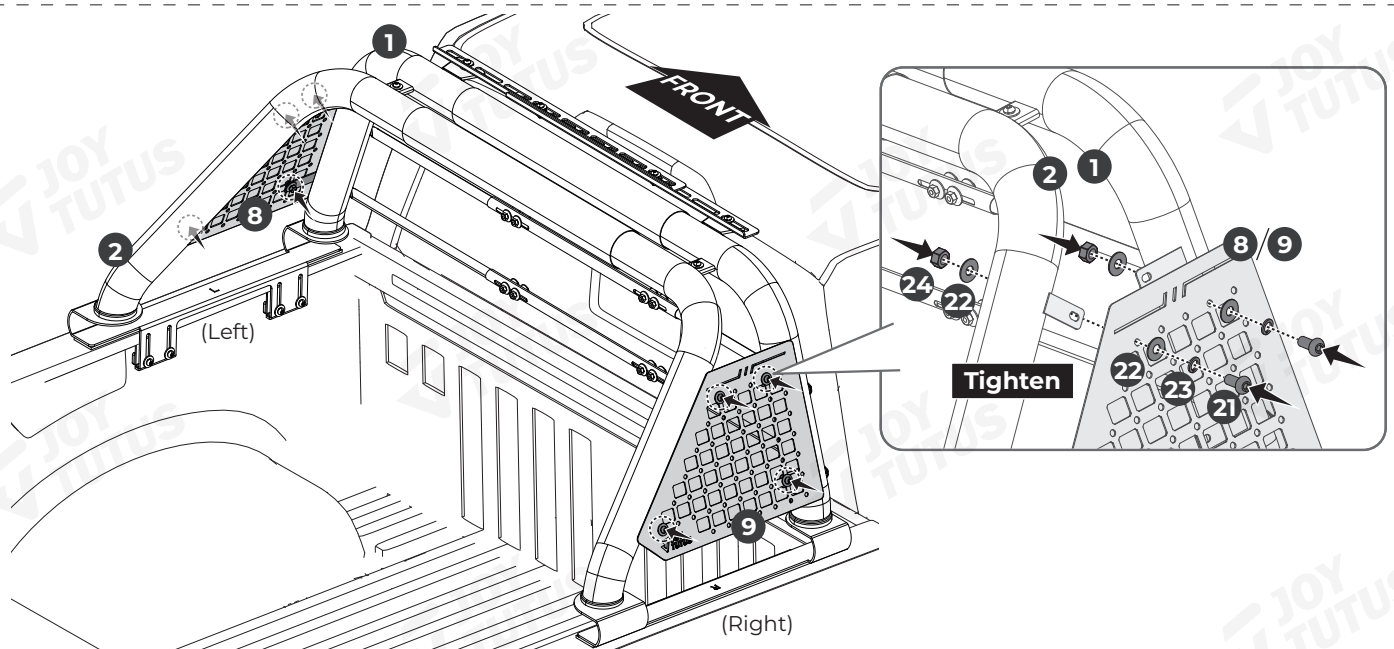
- 
 M10 x 30
25 Hex Head Bolt x4
- 
 Φ10.5*Φ25*1.5Washer x4
27 Φ10.5*Φ25*1.5Washer x4
- 
 M10
28 Spring Washer x4
- 
 L-shaped Hex Key (S=4) x1
29 L-shaped Hex Key (S=4) x1
- 
 L-shaped Hex Key (S=5) x1
30 L-shaped Hex Key (S=5) x1
- 
 10-13 Double-ended Open-end Wrench x1
31 10-13 Double-ended Open-end Wrench x1
- 
 14-16 Double-ended Open-end Wrench x1
32 14-16 Double-ended Open-end Wrench x1



STEP 5

Required accessories:

- 
8 Left Tactical Panel x1
- 
9 Right Tactical Panel x1
- 
 M6 x 20
21 Flat Round Head Screw x8
- 
 M6
24 Hex Nut x8
- 
 Φ6*Φ18*1.2 Oversized Flat Washer x16
22 Φ6*Φ18*1.2 Oversized Flat Washer x16
- 
 L-shaped Hex Key (S=4) x1
29 L-shaped Hex Key (S=4) x1
- 
 M6
23 Spring Washer x8
- 
 10-13 Double-ended Open-end Wrench x1
31 10-13 Double-ended Open-end Wrench x1



If you have any questions, please visit Joytutus website or email for quick response.
 Web: www.joytutus.com
 Email: Service@joytutus.com