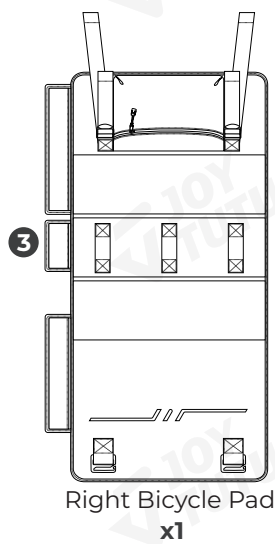
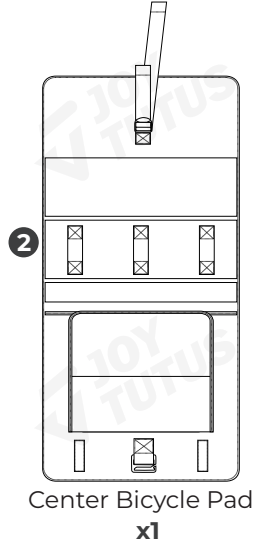
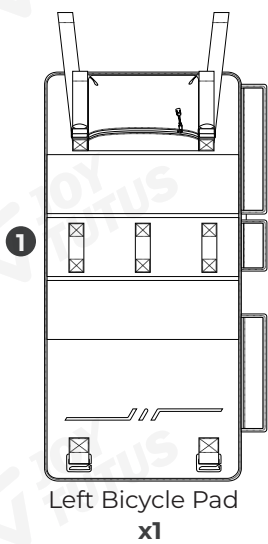


✓ IMPORTANT

Before installation, please make sure that all accessories are ready.
(As shown in the picture below)

✓ PRODUCT INFORMATION



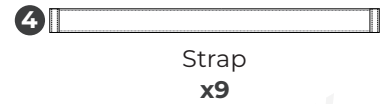
CUSTOMER SUPPORT

Contact us by email:
service@joytutus.com

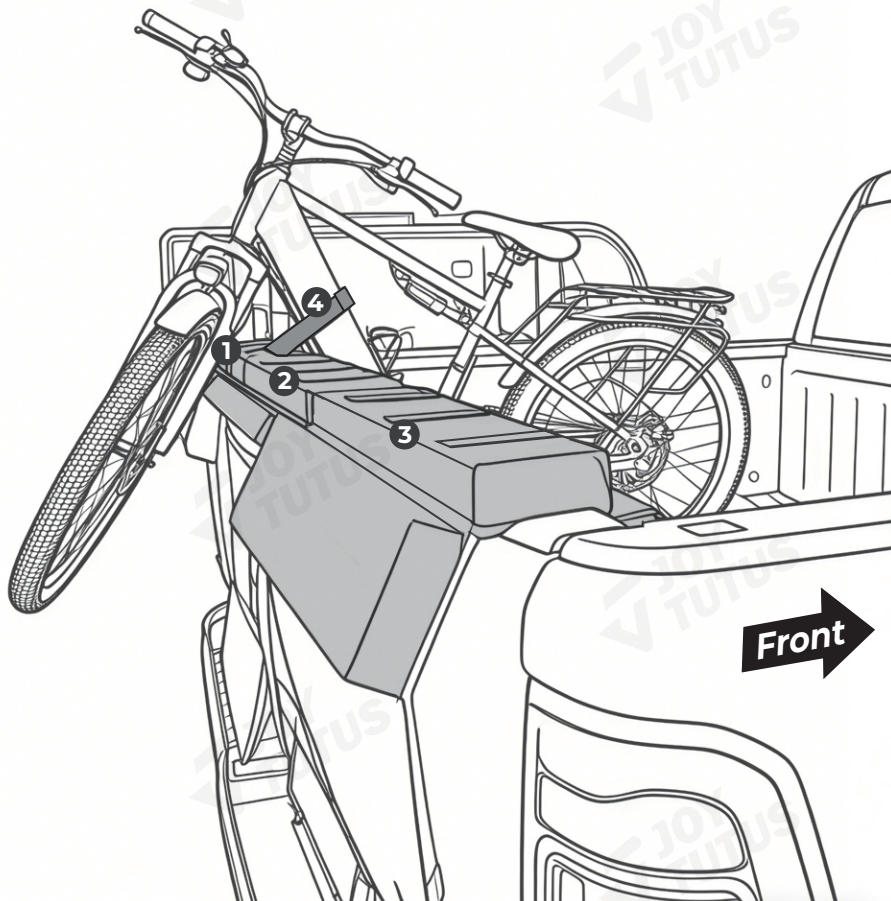
JOYTUTUS help center:



<http://support.joytutus.com>

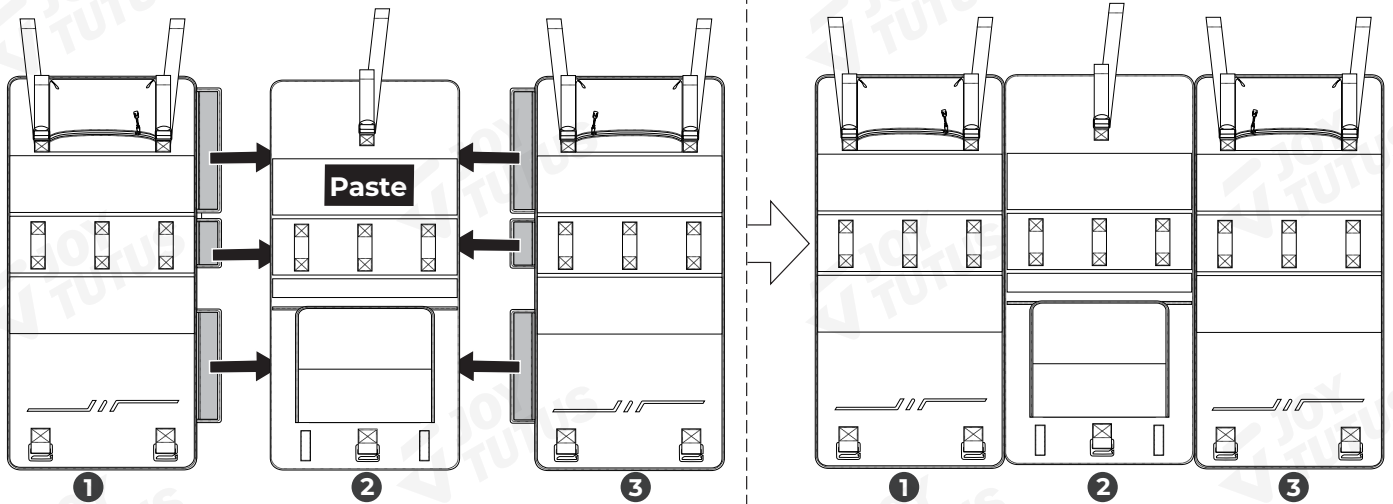


✓ INSTALLATION COMPLETION DIAGRAM



✓ INSTALLATION METHOD

STEP 1:



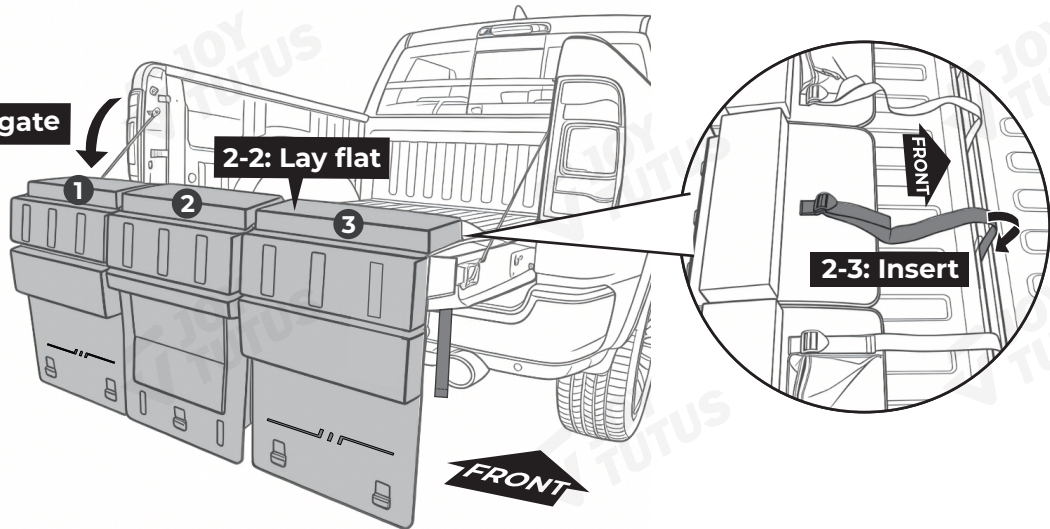
STEP 2:

Insert the five straps on [1,2,3] into the opened tailgate gap.

2-1: Open the tailgate

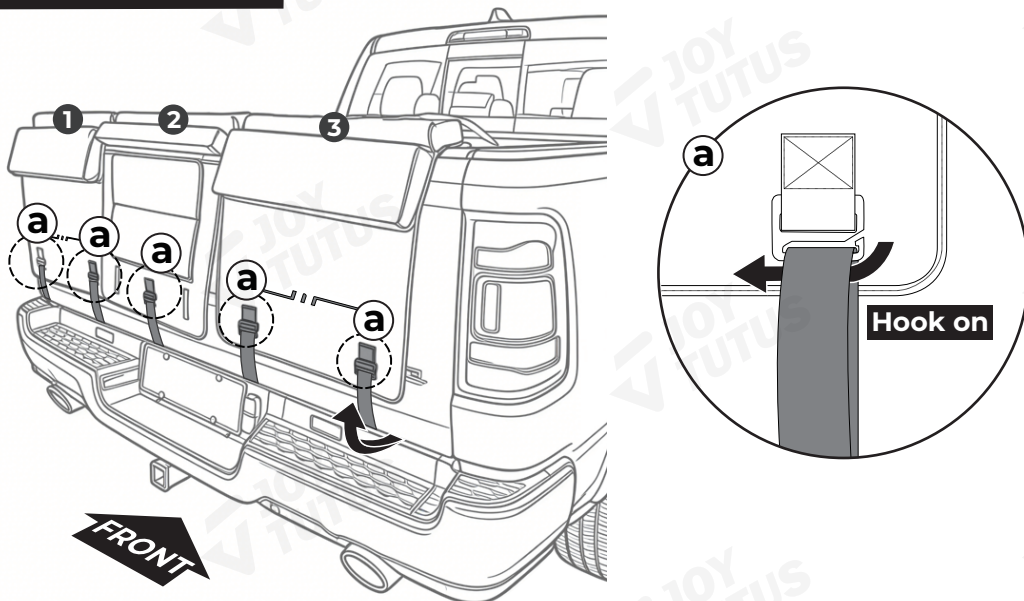
2-2: Lay flat

2-3: Insert



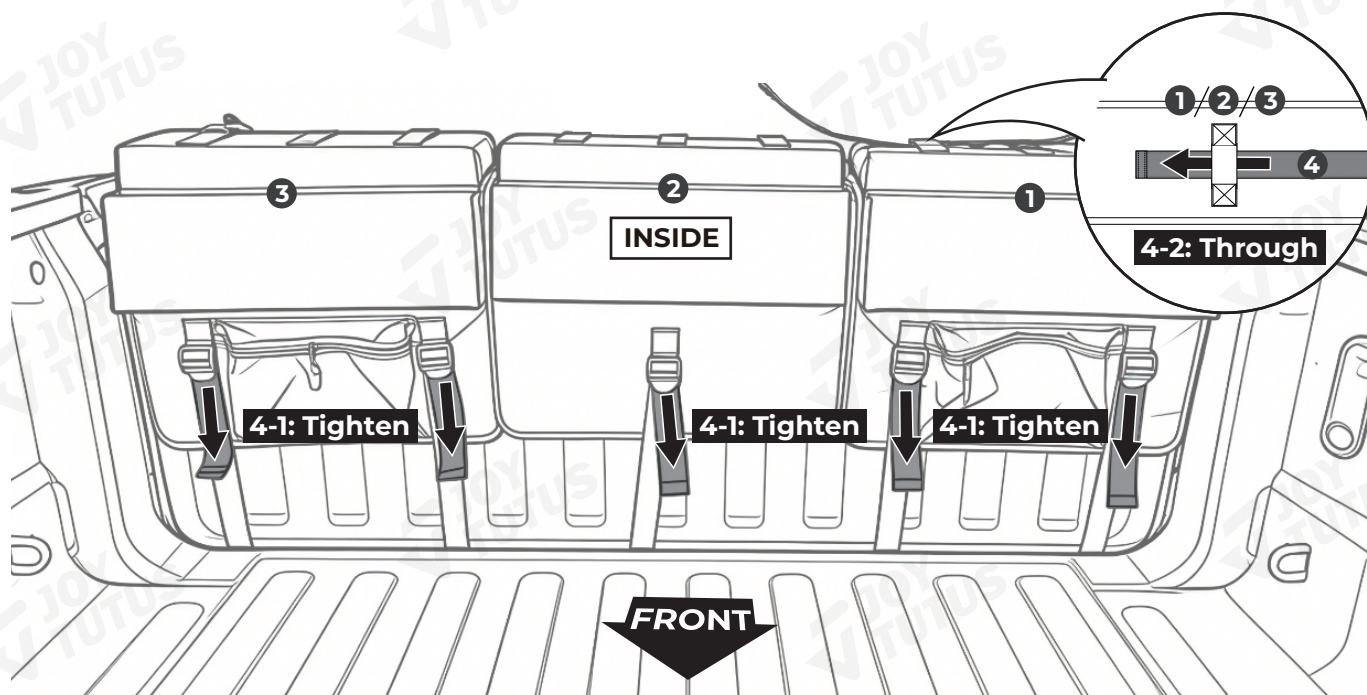
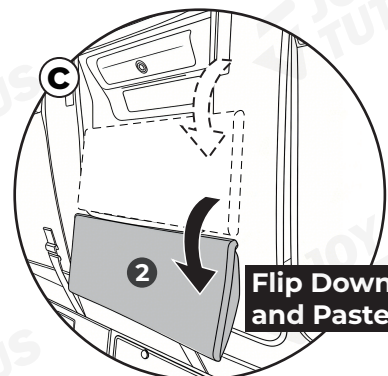
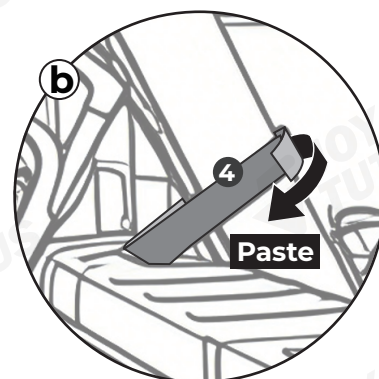
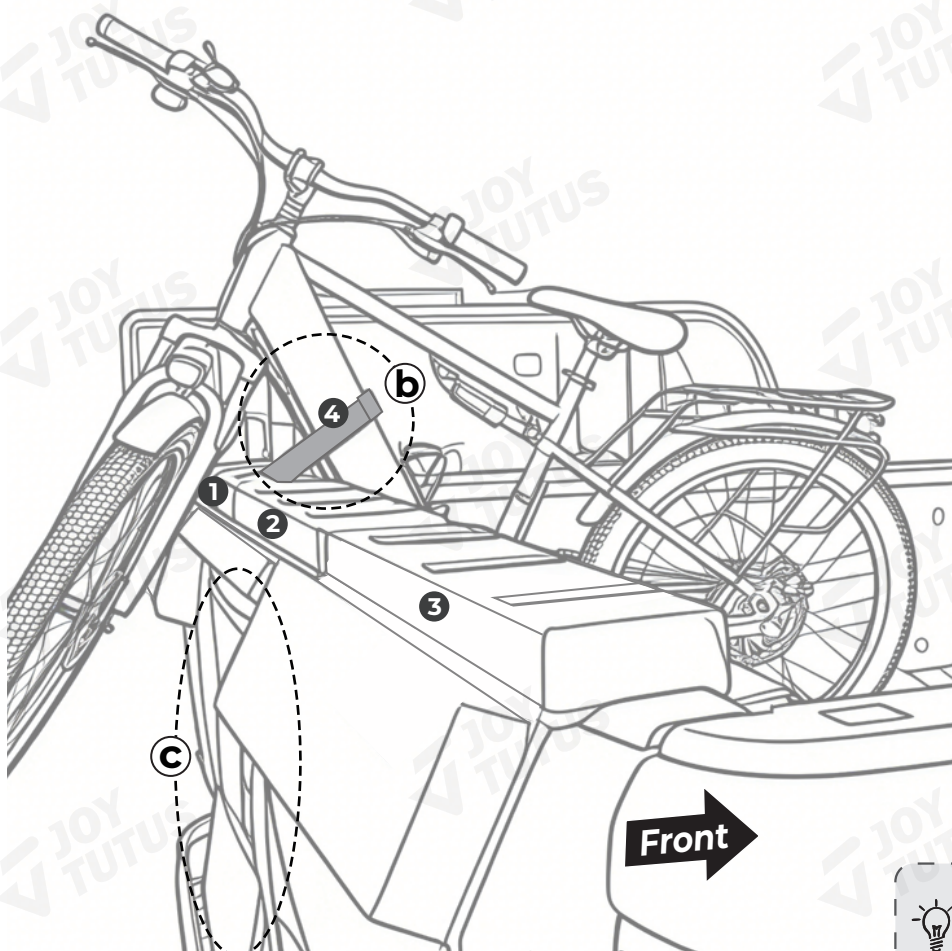
STEP 3:

Precondition: Close the tailgate



STEP 4:

Select an appropriate number of [4] based on the quantity of bicycles, and secure the bicycles by choosing any positions along the fixed wide webbing directly above the mat.

**STEP 5:**

 To use the rearview monitor, operate **C**.