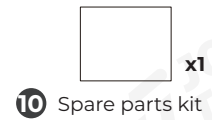
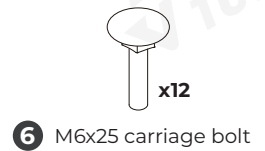
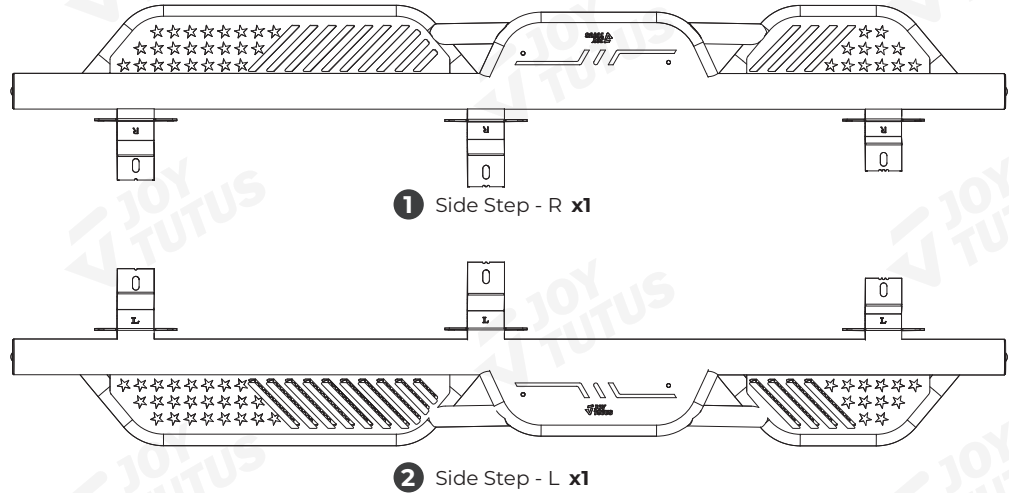


### IMPORTANT

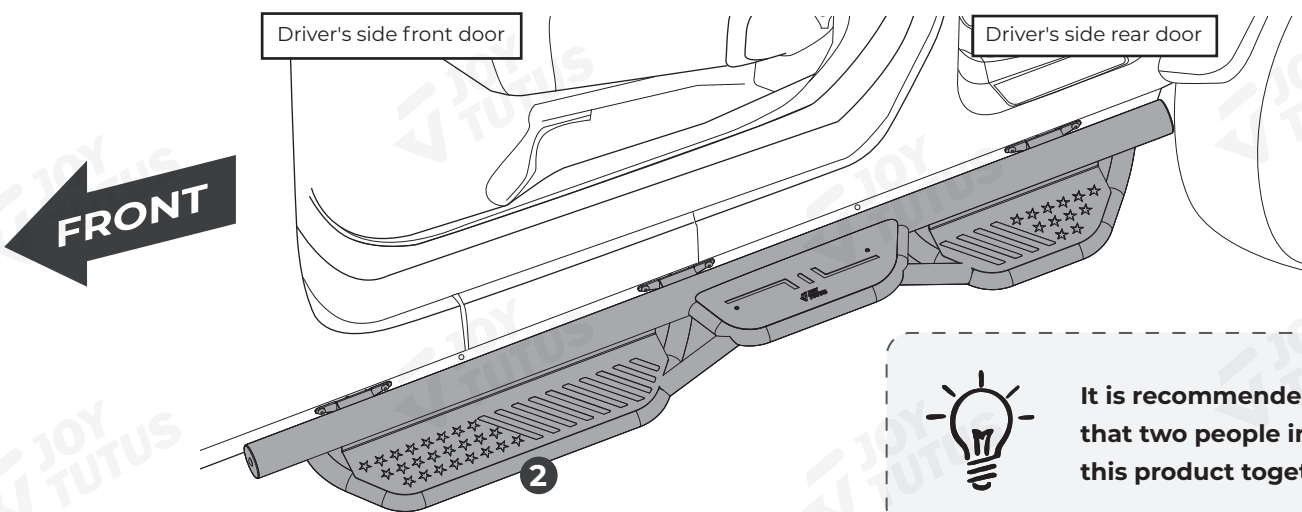
Before installation, please make sure that all accessories are ready. (As shown in the picture below).

### PRODUCT INFORMATION

Installation video



### INSTALLATION COMPLETION DIAGRAM



**Customer Support**



Contact us by email: [service@joytutus.com](mailto:service@joytutus.com)

JOYTUTUS help center:  
<http://support.joytutus.com>

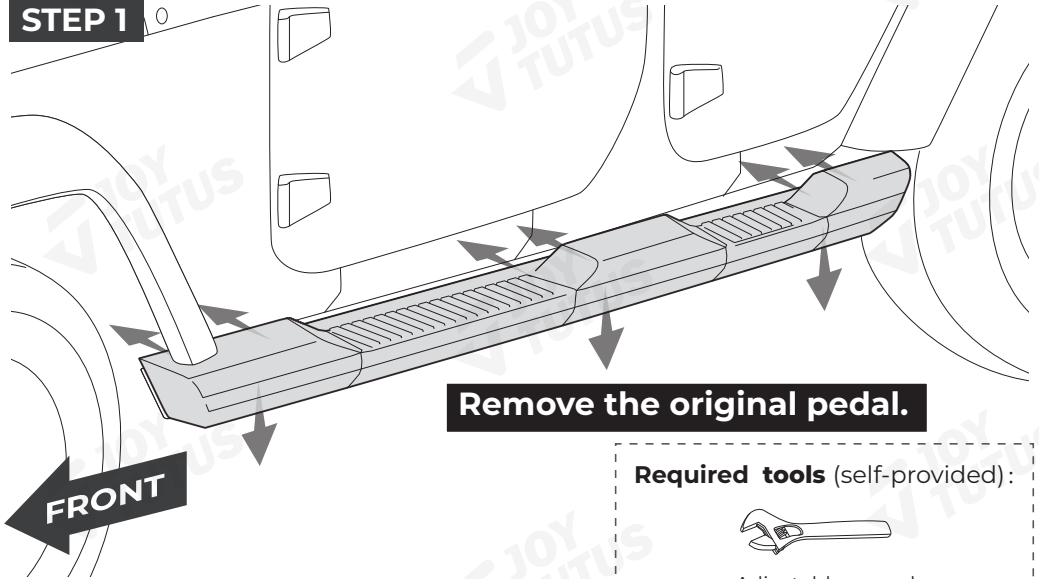


## INSTALLATION TIPS



When installing this product, first park the vehicle in a safe area and turn off the engine.

### STEP 1



Remove the original pedal.

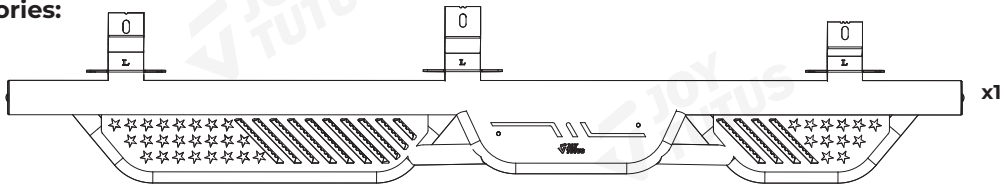
Required tools (self-provided):



Adjustable wrench

### STEP 2

Required accessories:



2 Side Step - L



x6

6 M6x25 U-Bolt



x6

7 M6 Flange Nut



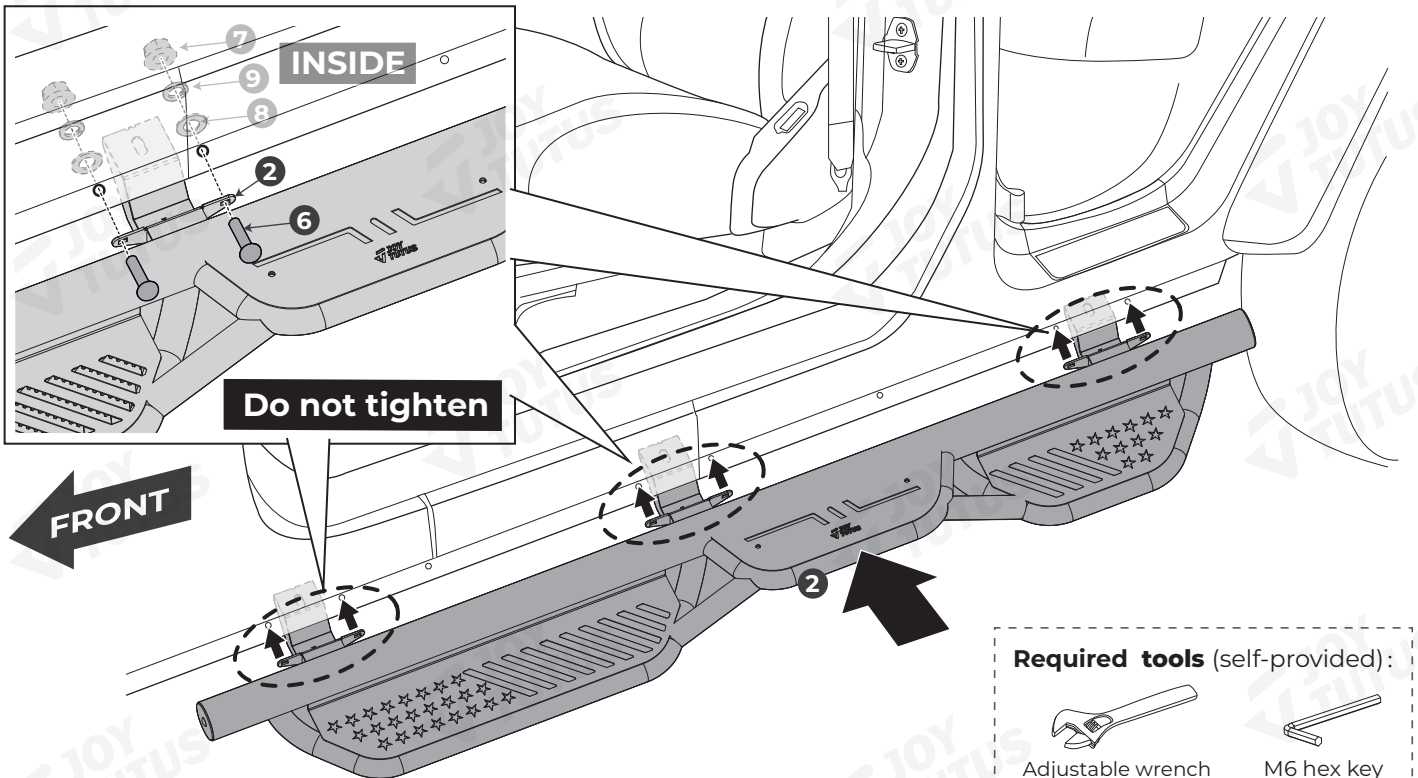
x6

8 Ø6x18x1 Flat Washer



x6

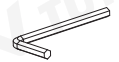
9 Ø6 Spring Washer



Required tools (self-provided):



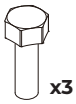
Adjustable wrench



M6 hex key

### STEP 3

#### Required accessories:



x3

3 M8x30 Hex Head Bolt



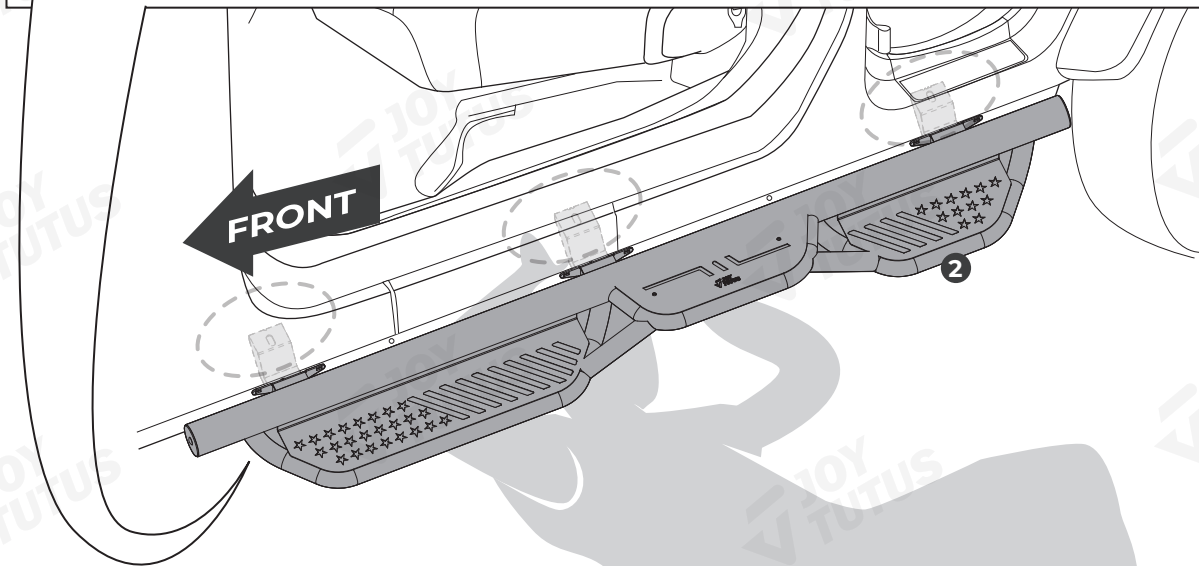
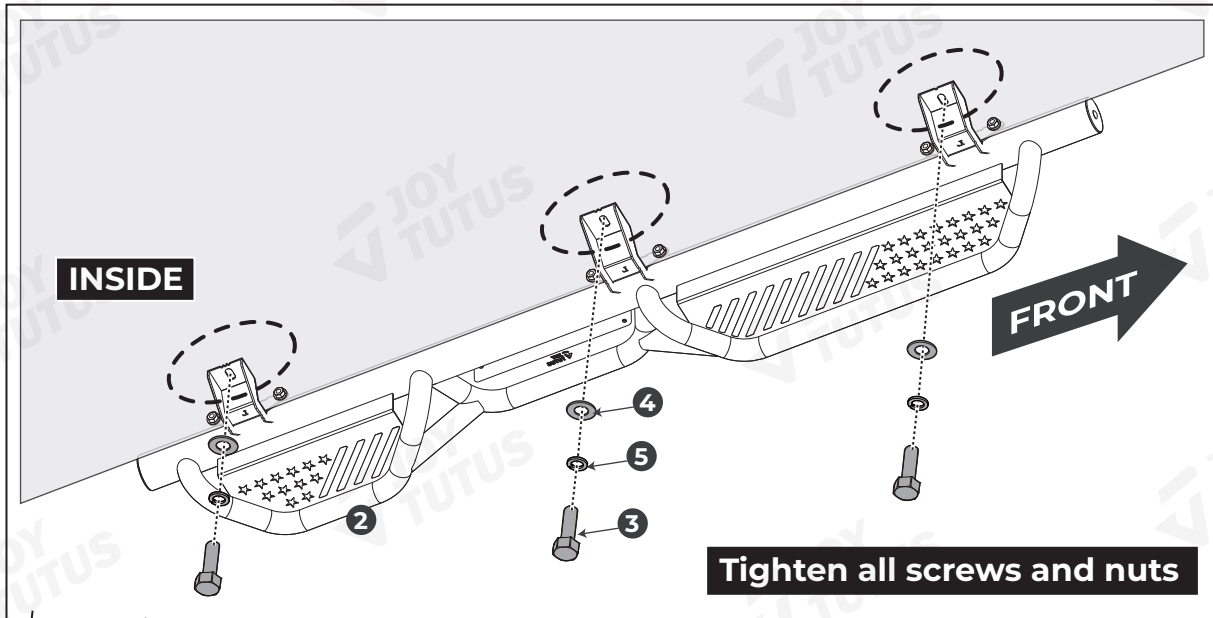
x3

4 M8x25x2 Flat Washer



x3

5 Ø8 Spring Washer



#### Required tools (self-provided):



x1

Adjustable wrench

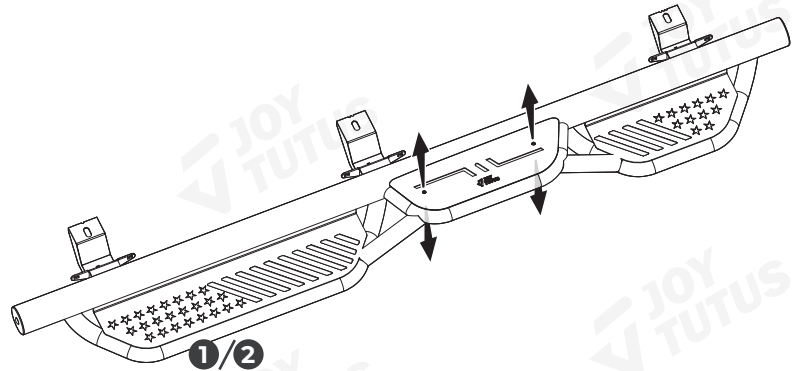
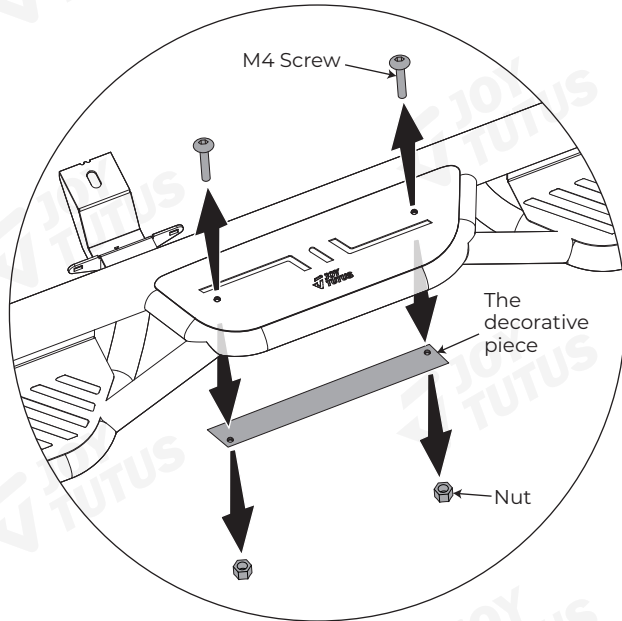
### STEP 4

Refer to steps 1-3 to install the pedal [1] on the other side.

## FUNCTION

### STEP 1

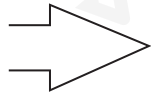
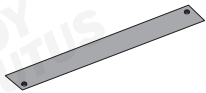
Required tools (self-provided):



Disassemble the screw and nut  
Remove the decorative piece

### STEP 2

The decorative panel can be sprayed with the desired color using your own spray paint and then reinstalled.



Spray the decorative panel with the  
desired color using your own spray paint.

