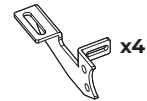
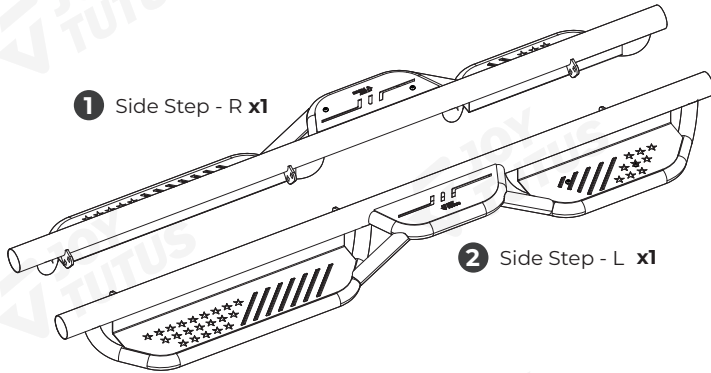


IMPORTANT

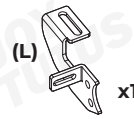
Before installation, please make sure that all accessories are ready. (As shown in the picture below).

PRODUCT INFORMATION

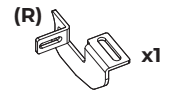
Installation video



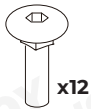
3 Mounting Bracket



4 Mounting Bracket - L



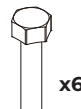
5 Mounting Bracket - R



6 M10*25 Round Head Square Neck Bolt



7 M10 Hex Flange Serrated Nut



8 M8*35 Hex Head Bolt



9 M8 Spring Washer



10 M8 Flat Washer



11 M6*20 Hex Head Bolt



12 M6 Spring Washer



13 M6 Hex Nut

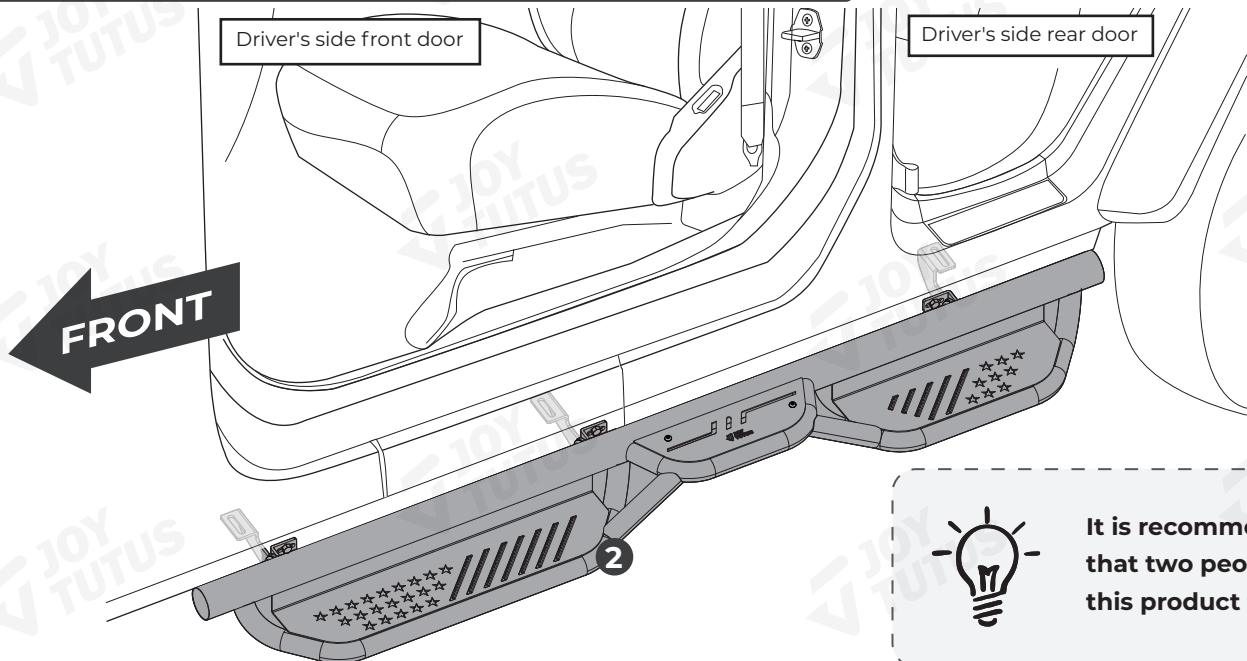


14 M6 Flat Washer



15 Spare parts kit

INSTALLATION COMPLETION DIAGRAM



It is recommended that two people install this product together.

Customer Support



Contact us by email: service@joytutus.com

JOYTUTUS help center:
<http://support.joytutus.com>



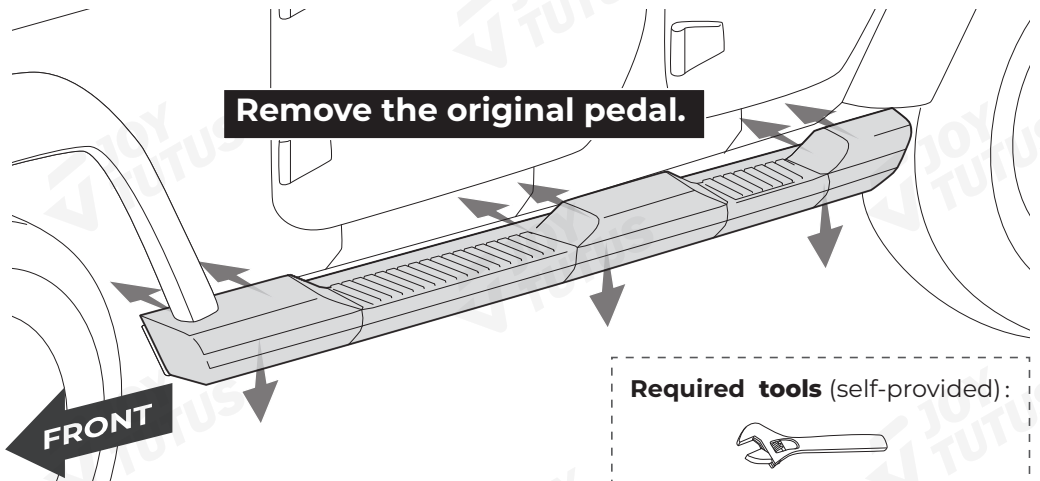
INSTALLATION TIPS



When installing this product, first park the vehicle in a safe area and turn off the engine.

STEP 1

Remove the original pedal.



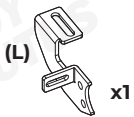
Required tools (self-provided):



Adjustable wrench

STEP 2

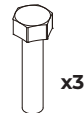
Required accessories:



4 Mounting Bracket - L



3 Mounting Bracket



8 M8*35 Hex Head Bolt



9 M8 Spring Washer



10 M8 Flat Washer



11 M6*20 Hex Head Bolt



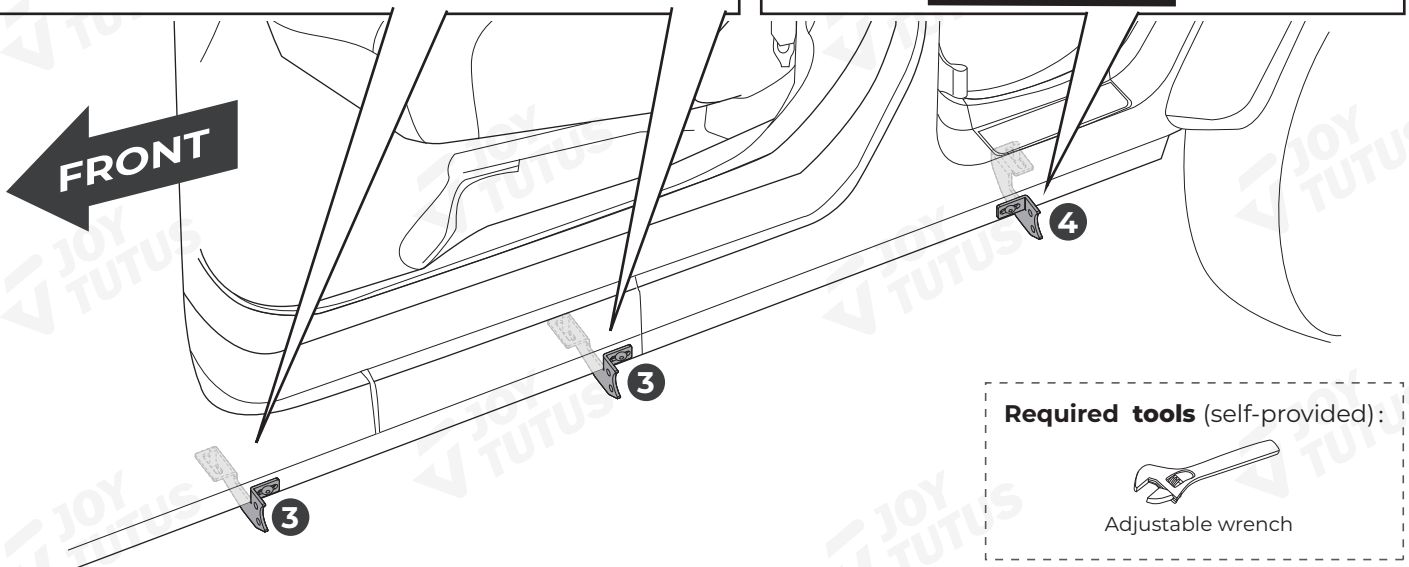
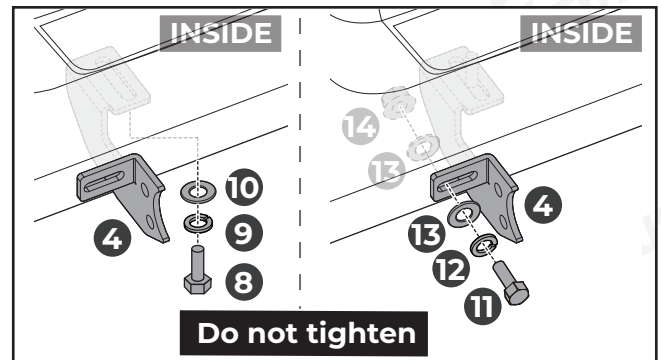
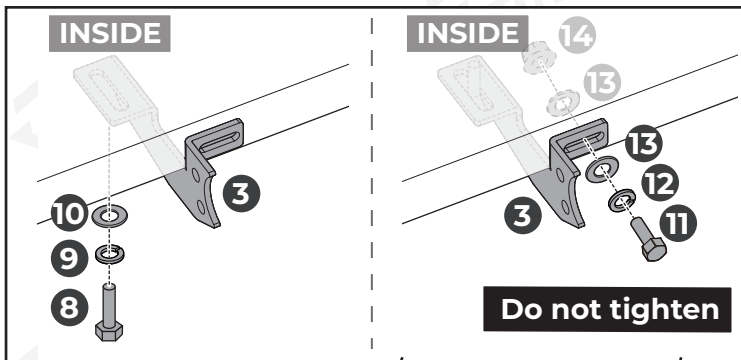
12 M6 Spring Washer



13 M6 Hex Nut



14 M6 Flat Washer



Required tools (self-provided):

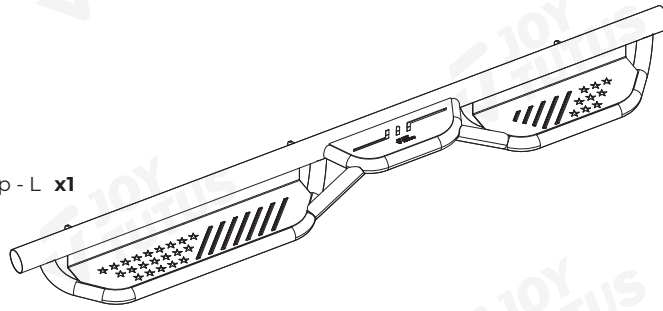


Adjustable wrench

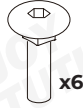
STEP 3

Required accessories:

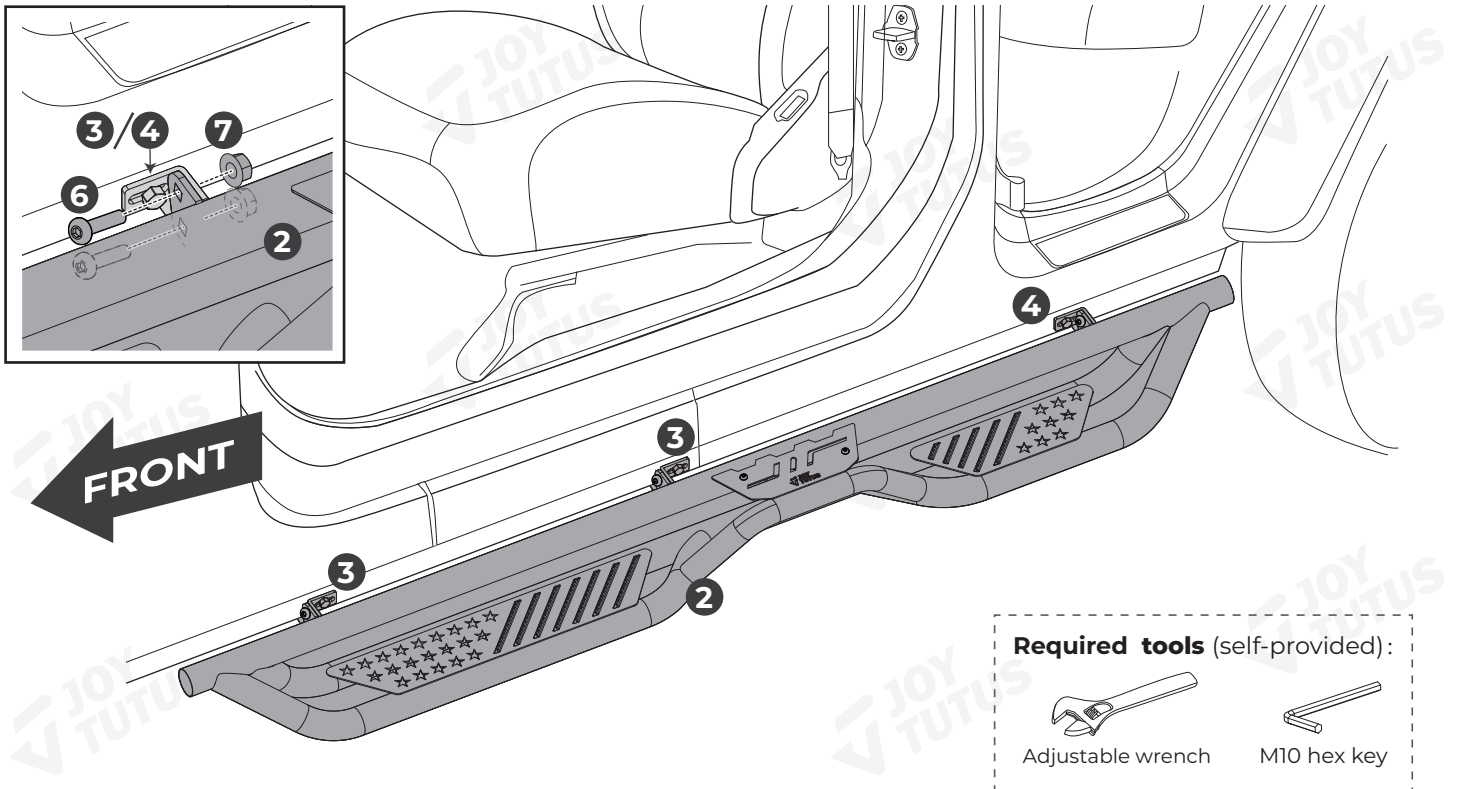
2 Side Step - L x1



6 M10*25 Round Head Square Neck Bolt



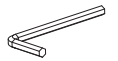
7 M10 Hex Flange Serrated Nut



Required tools (self-provided):



Adjustable wrench



M10 hex key

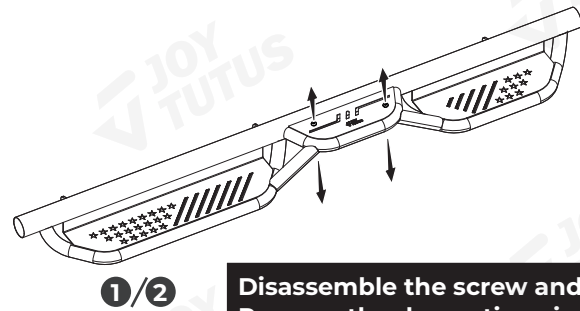
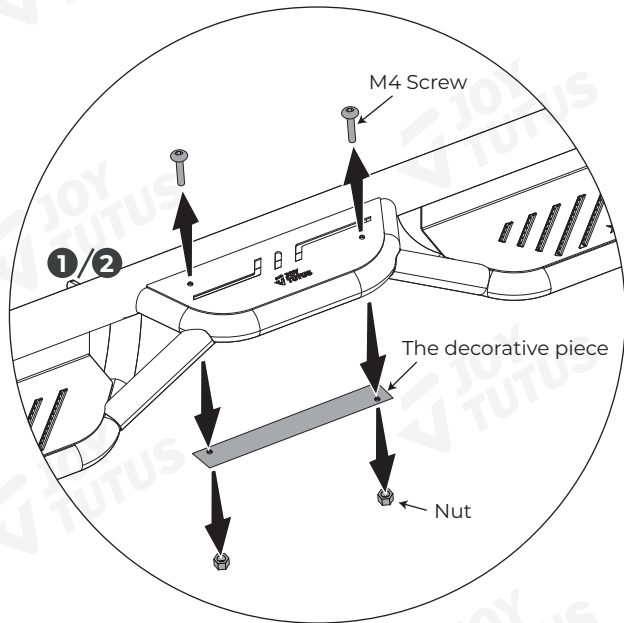
STEP 4

Refer to steps 1-3 to install the pedal [1] on the other side.

FUNCTION

STEP 1

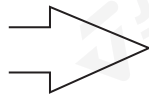
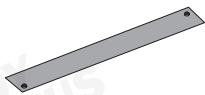
Required tools (self-provided):



**Disassemble the screw and nut
Remove the decorative piece**

STEP 2

The decorative panel can be sprayed with the desired color using your own spray paint and then reinstalled.



Spray the decorative panel with the desired color using your own spray paint.

