

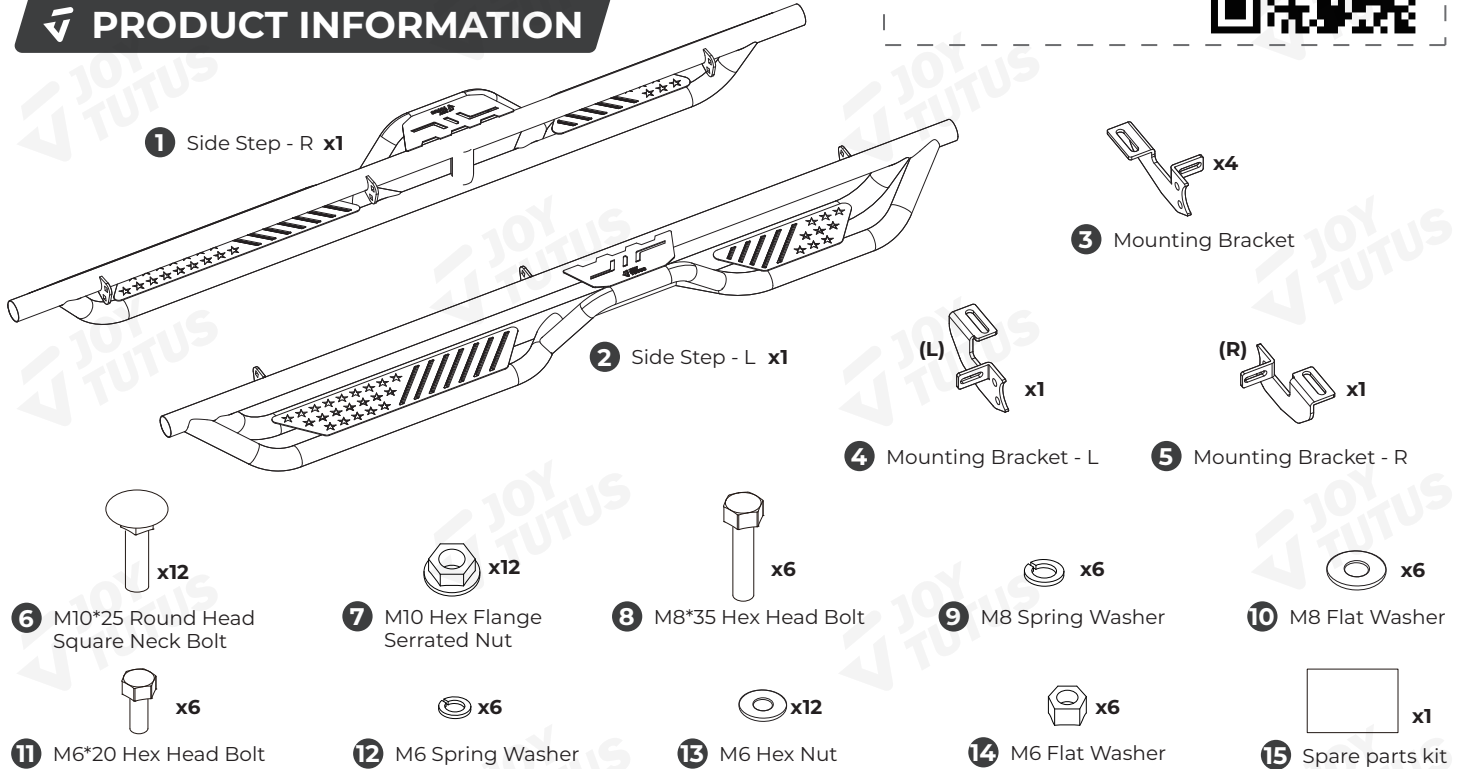
IMPORTANT

Before installation, please make sure that all accessories are ready. (As shown in the picture below).

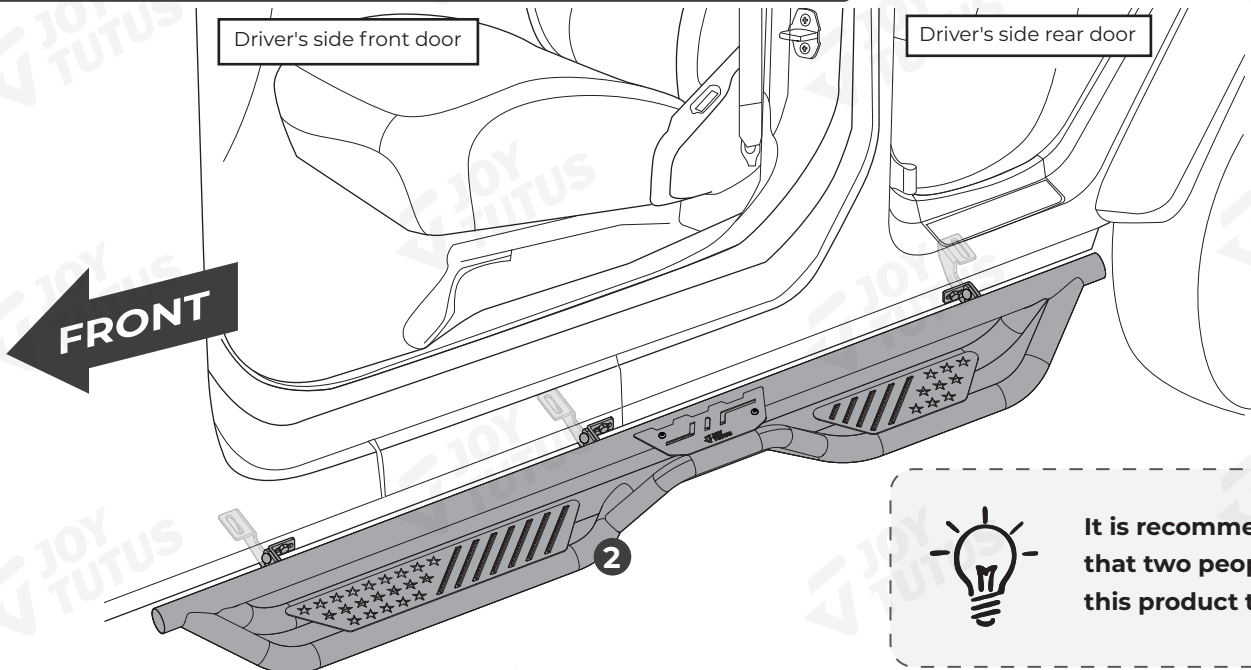
Installation video



PRODUCT INFORMATION



INSTALLATION COMPLETION DIAGRAM



Customer Support



Contact us by email: service@joytutus.com

JOYTUTUS help center:
<http://support.joytutus.com>

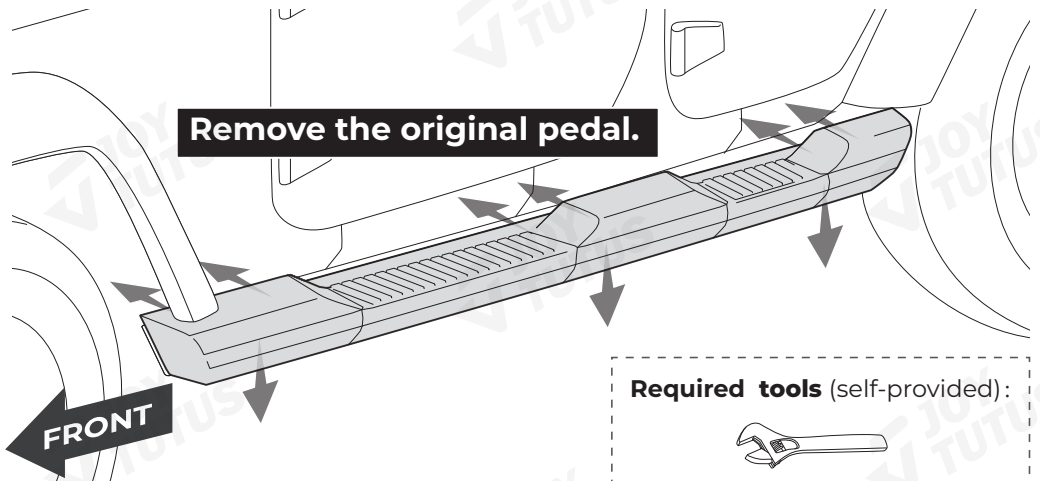


INSTALLATION TIPS



When installing this product, first park the vehicle in a safe area and turn off the engine.

STEP 1



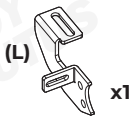
Required tools (self-provided):



Adjustable wrench

STEP 2

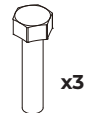
Required accessories:



4 Mounting Bracket - L



3 Mounting Bracket



8 M8*35 Hex Head Bolt



9 M8 Spring Washer



10 M8 Flat Washer



11 M6*20 Hex Head Bolt



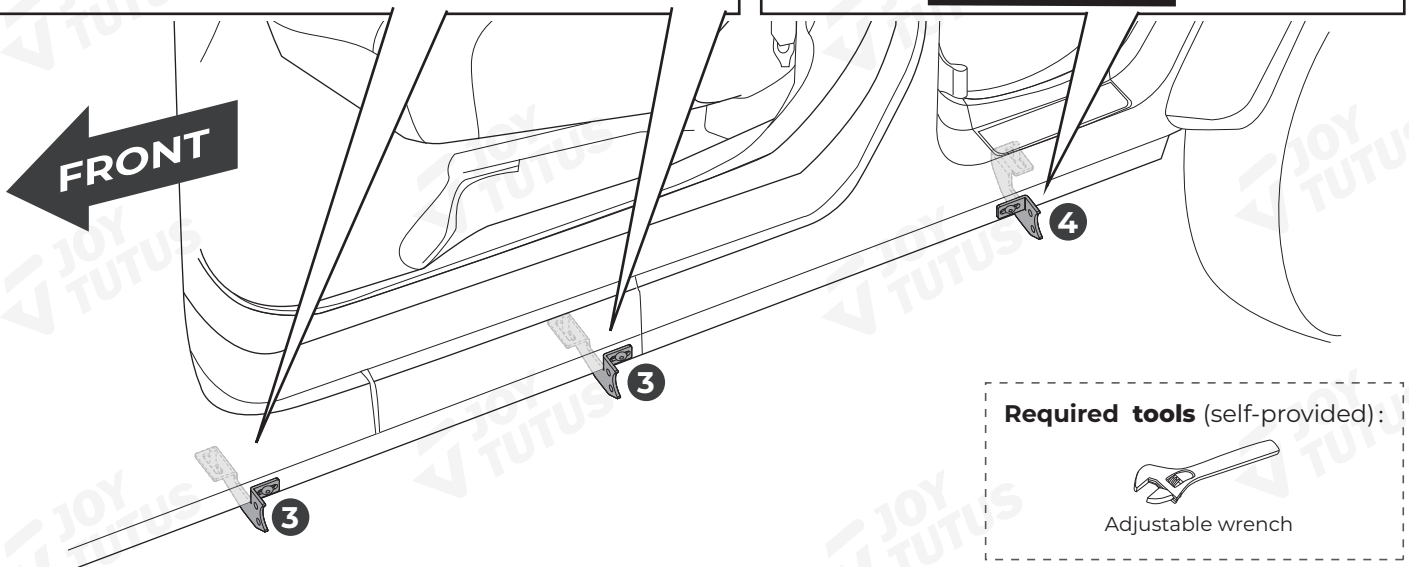
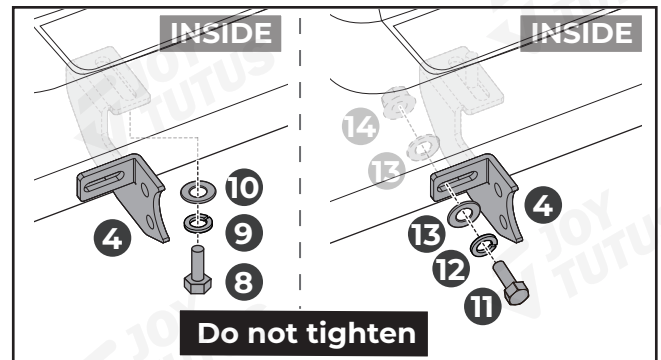
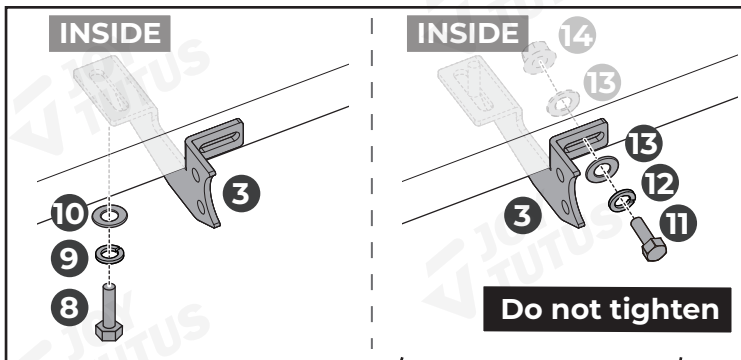
12 M6 Spring Washer



13 M6 Hex Nut



14 M6 Flat Washer



Required tools (self-provided):

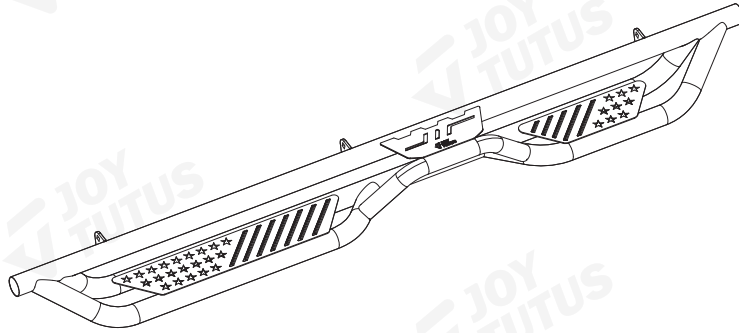


Adjustable wrench

STEP 3

Required accessories:

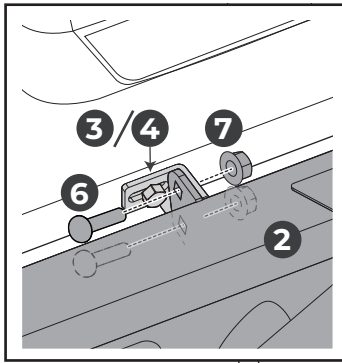
2 Side Step - L x1



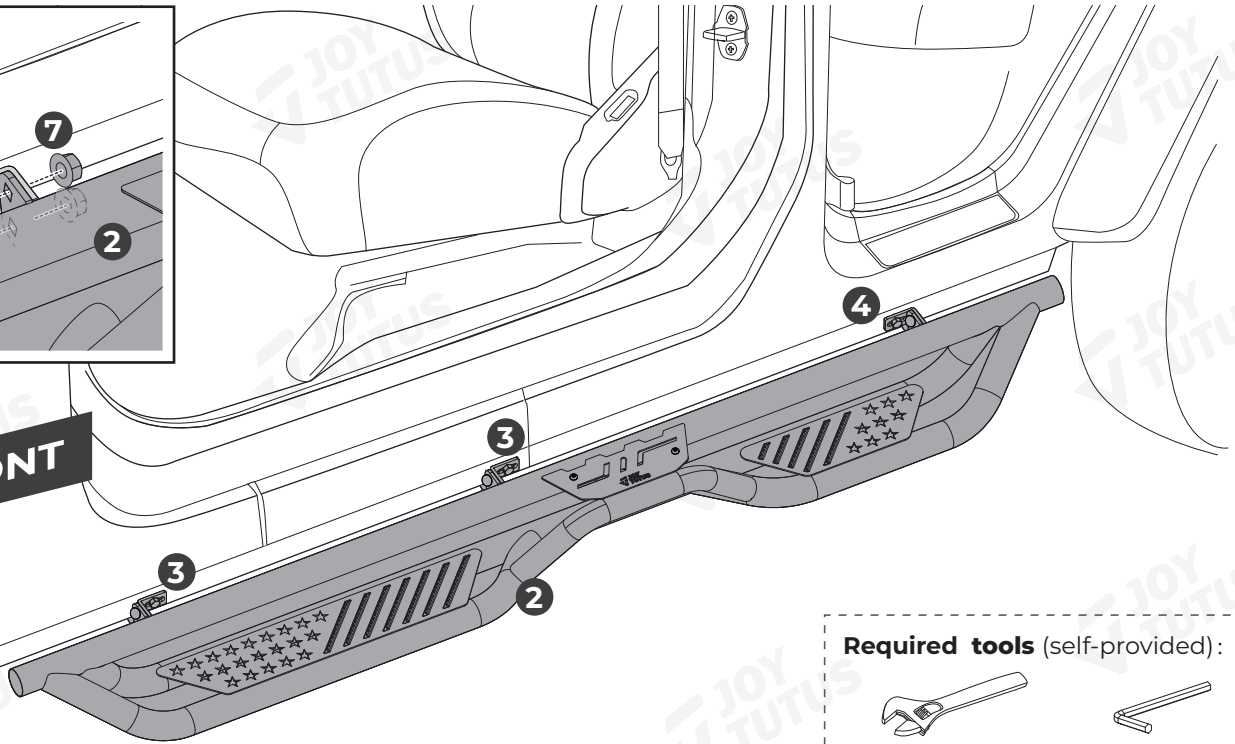
6 M10*25 Round Head Square Neck Bolt x6



7 M10 Hex Flange Serrated Nut x6



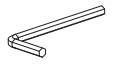
FRONT



Required tools (self-provided):



Adjustable wrench



M10 hex key

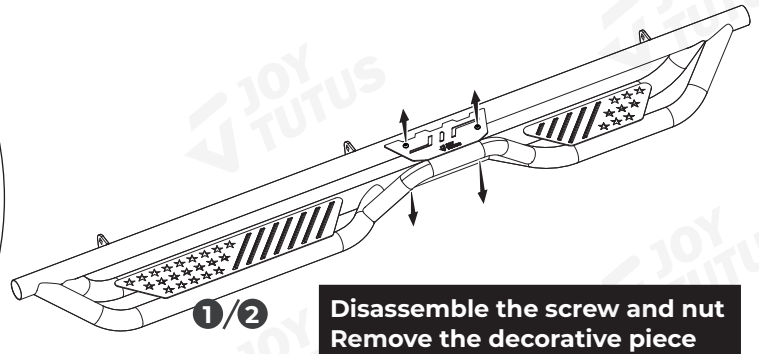
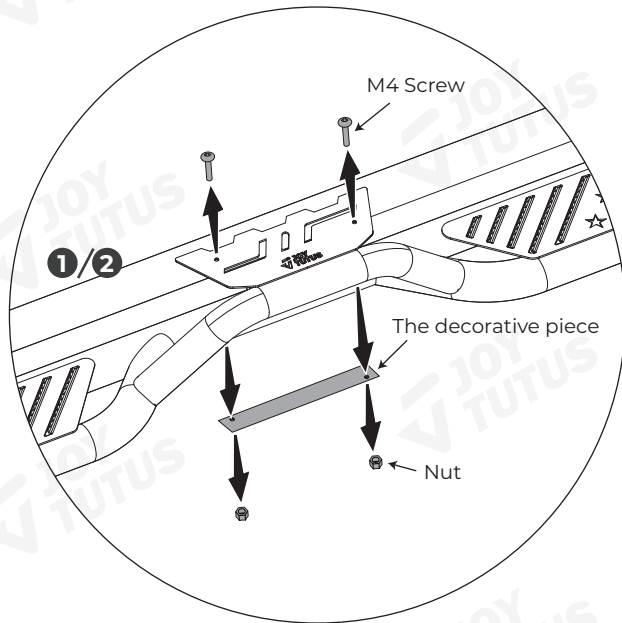
STEP 4

Refer to steps 1-3 to install the pedal [1] on the other side.

FUNCTION

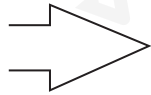
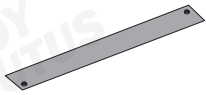
STEP 1

Required tools (self-provided):



STEP 2

The decorative panel can be sprayed with the desired color using your own spray paint and then reinstalled.



Spray the decorative panel with the
desired color using your own spray paint.

