

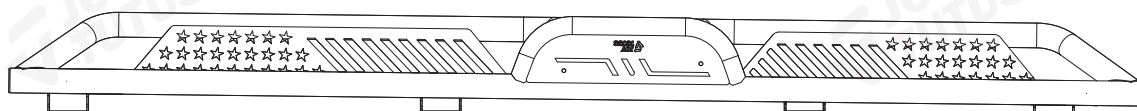
IMPORTANT

Before installation, please make sure that all accessories are ready. (As shown in the picture below).

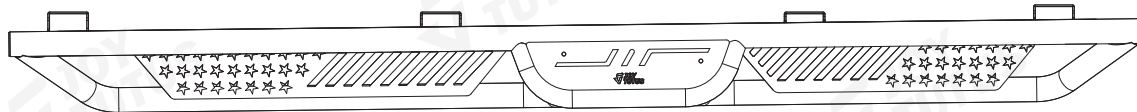
Installation video



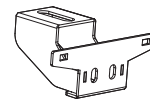
PRODUCT INFORMATION



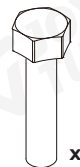
1 Side Step - R x1



2 Side Step - L x1



3 Connector x8



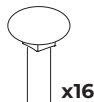
4 M8*30 Hex Head Bolt



5 Ø8*24*2.0 Flat Washer



6 Ø8 Spring Washer



7 M6*25 Carriage Bolt



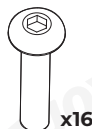
8 M6 Hex Nut



9 Ø6*18*1.0 Flat Washer



10 Ø6 Spring Washer



11 M8*25 Round Head Inner Hexagon Screw



12 M8 Hex Nut

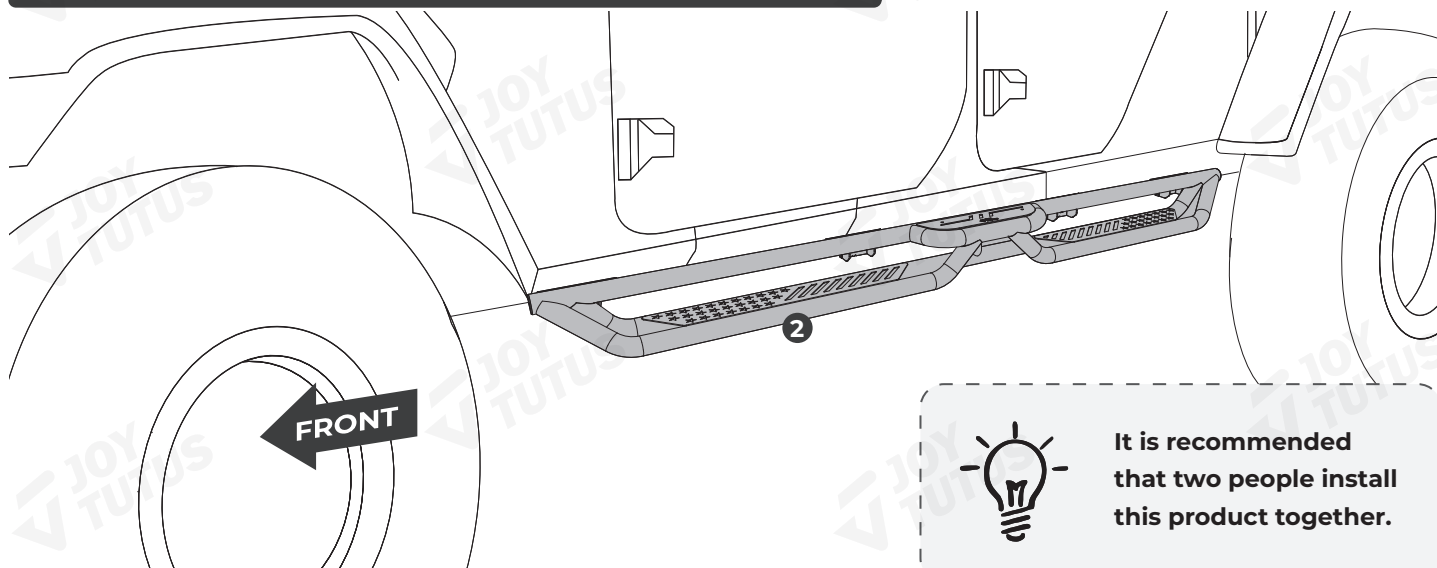


13 Ø8*16*1.0 Flat Washer



14 Spare Parts Kit

INSTALLATION COMPLETION DIAGRAM



It is recommended that two people install this product together.

Customer Support



Contact us by email: service@joytutus.com

JOYTUTUS help center:
<http://support.joytutus.com>



INSTALLATION TIPS



When installing this product, first park the vehicle in a safe area and turn off the engine.

STEP 1



If the original pedal is already installed, please remove it first. If there is no original pedal, proceed directly to STEP 2.

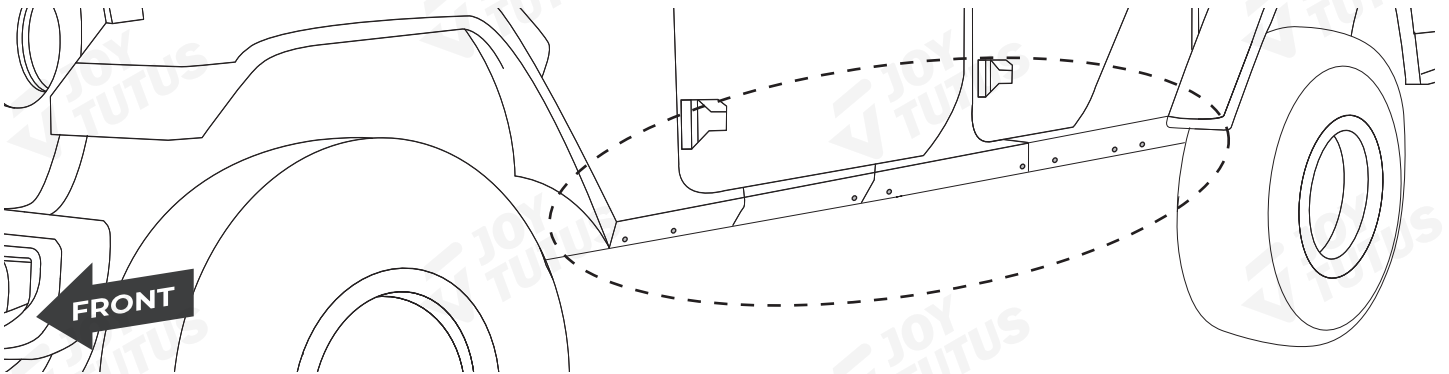
Remove the factory rock rails if equipped.

1. Remove M8 hex bolts and M6 hex nuts on inner rocker panel.
2. Remove the factory rocker rail from inner rocker panel.

Note: The step bar and factory rock rail cannot coexist.

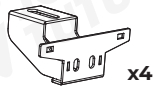
STEP 2

1. Locate mounting positions each side.
2. Clean the dirt and sealant around mounting positions.

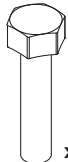


STEP 3

Required accessories:



3 Connector x4



4 M8*30 Hex Head Bolt x4



5 Ø8*24*1.0 Flat Washer x4



6 Ø8 Spring Washer x4



7 M6*25 Carriage Bolt x8



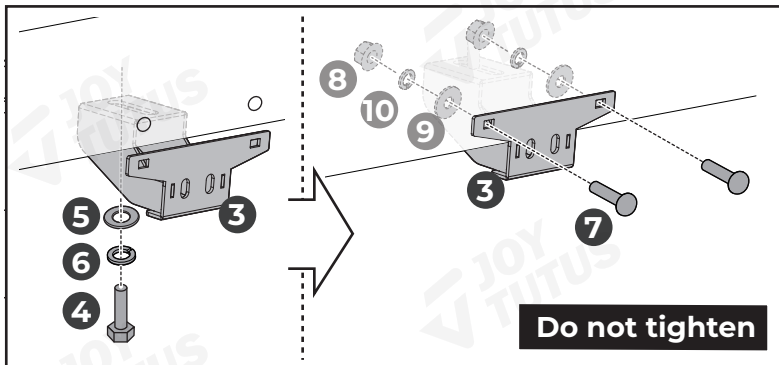
8 M6 Hex Nut x8



9 Ø6*18*1.0 Flat Washer x8



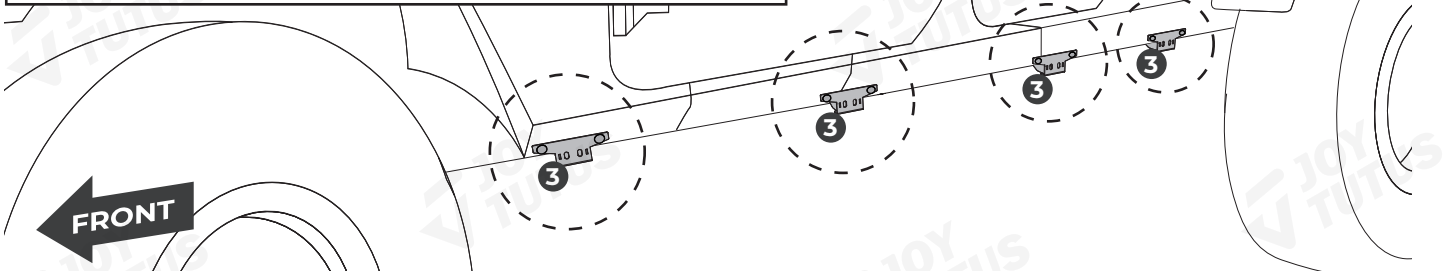
10 Ø6 Spring Washer x8



Required tools (self-provided):



Socket wrench



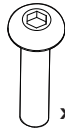
STEP 4

Required accessories:



x8

6 Ø8 Spring Washer



x8

11 M8*25 Round Head Inner Hexagon Screw



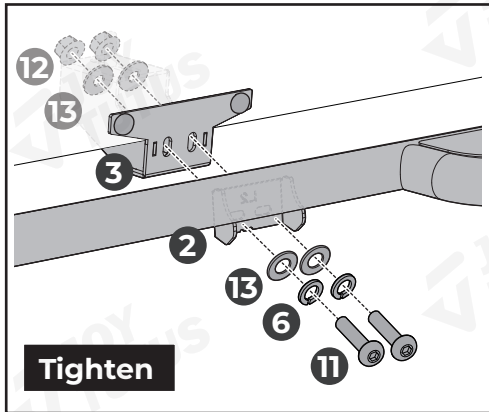
x8

12 M8 Hex Nut



x16

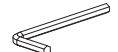
13 Ø8*16*1.0 Flat Washer



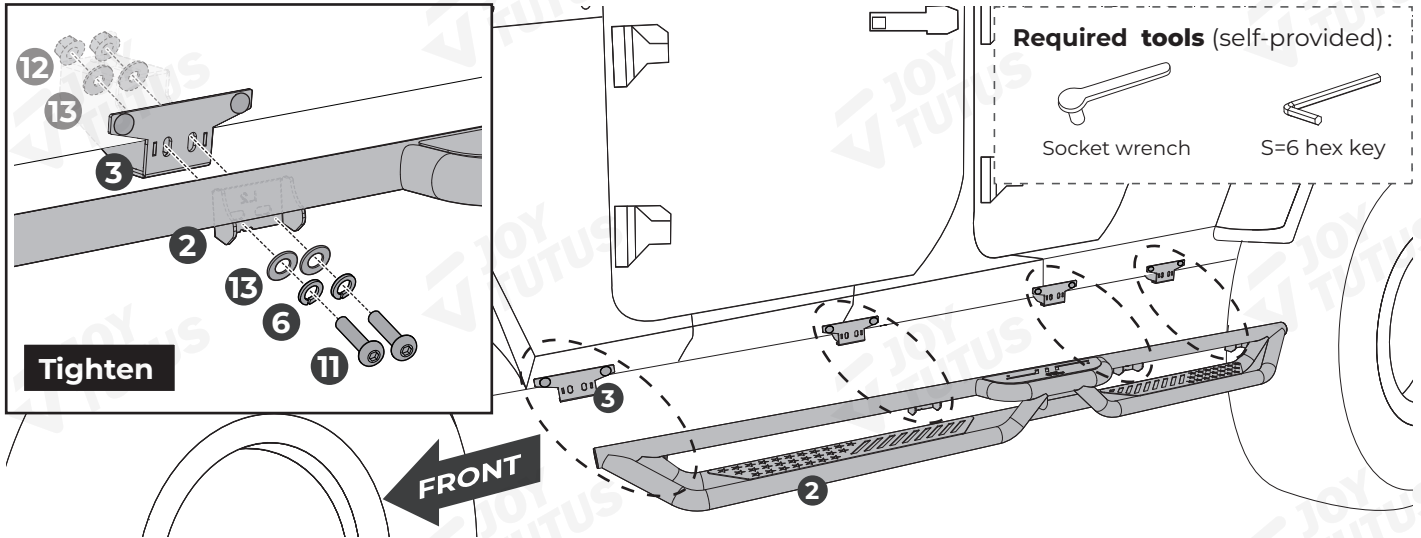
Required tools (self-provided):



Socket wrench



S=6 hex key



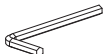
STEP 5 Refer to steps 2-4 to install the pedal [1] on the other side.

FUNCTION

Required tools (self-provided):



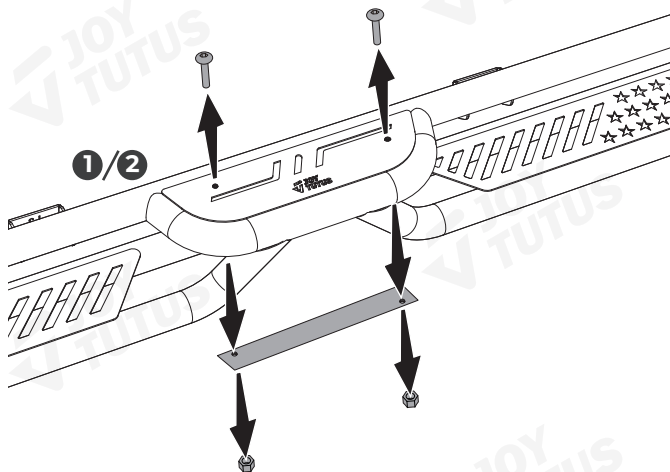
Socket wrench



S=5 hex key

STEP 1

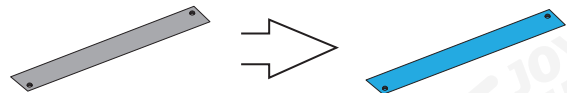
Disassemble the screw and nut,
Remove the decorative piece



STEP 2

The decorative panel can be sprayed with the desired color using your own spray paint and then reinstalled.

Spray the decorative panel with the desired color using your own spray paint.



If you have any questions, please visit Joytutus website or email for quick response.
Web: www.joytutus.com
Email: Service@joytutus.com