

### IMPORTANT

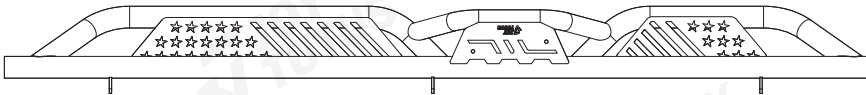
Before installation, please make sure that all accessories are ready. (As shown in the picture below).

Installation video

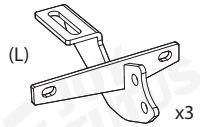


### PRODUCT INFORMATION

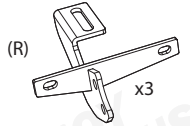
1 Side Step - R x1



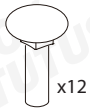
2 Side Step - L x1



3 Mounting Bracket - L



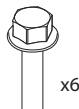
4 Mounting Bracket - R



5 M10 Round Head Square Neck Bolt x12



6 M10 Hex Flange Serrated Nut x12



7 M8\*30 Hex Head Bolt x6



8 M8\*25 Hex Head Bolt x12

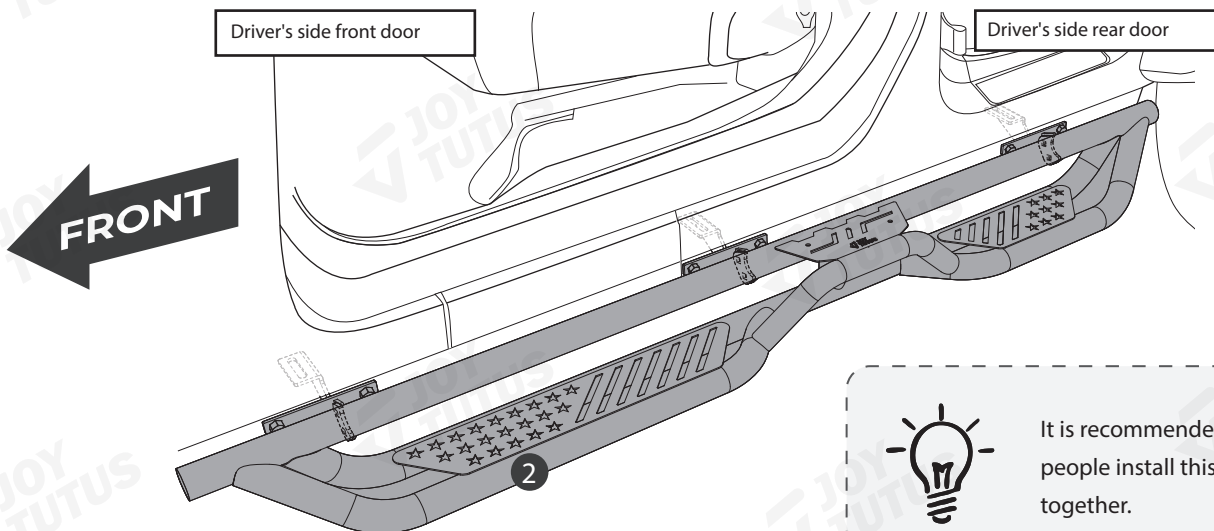


9 M8 Flange Nut x12



10 Spare parts kit x1

### INSTALLATION COMPLETION DIAGRAM



It is recommended that two people install this product together.

Customer Support



Contact us by email: [service@joytutus.com](mailto:service@joytutus.com)

JOYTUTUS help center:  
<http://support.joytutus.com>

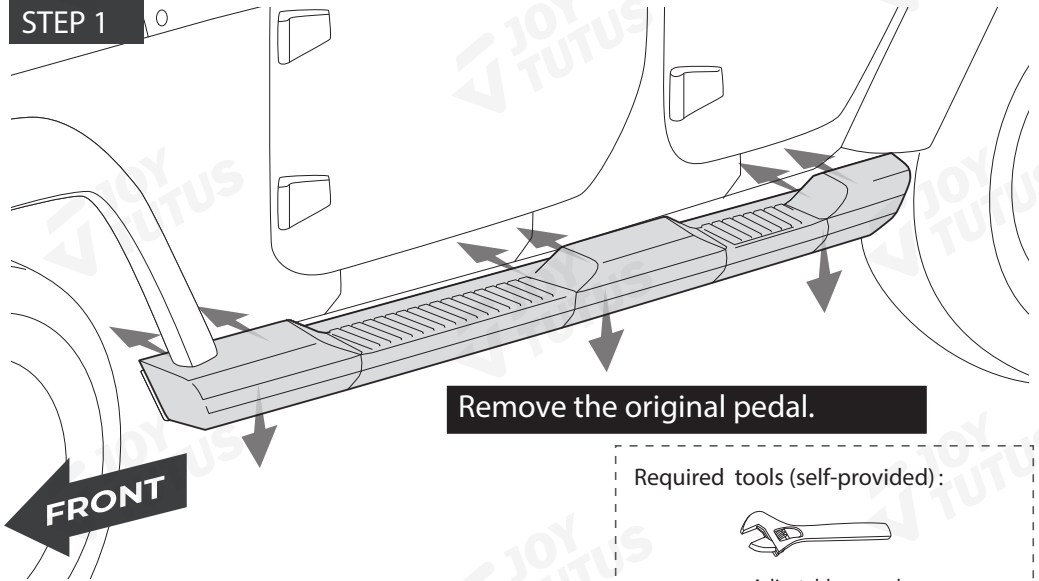


## INSTALLATION TIPS



When installing this product, first park the vehicle in a safe area and turn off the engine.

### STEP 1



Remove the original pedal.

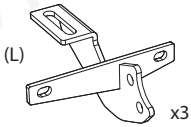
Required tools (self-provided):



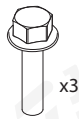
Adjustable wrench

### STEP 2

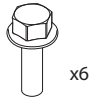
Required accessories:



3 Mounting Bracket - L



7 M8\*30 Hex Head Bolt

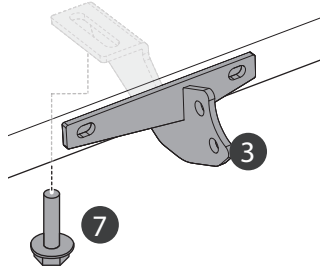


8 M8\*25 Hex Head Bolt

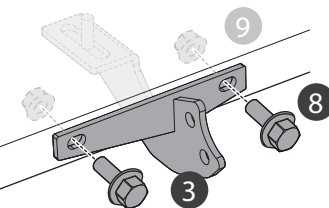


9 M8 Flange Nut

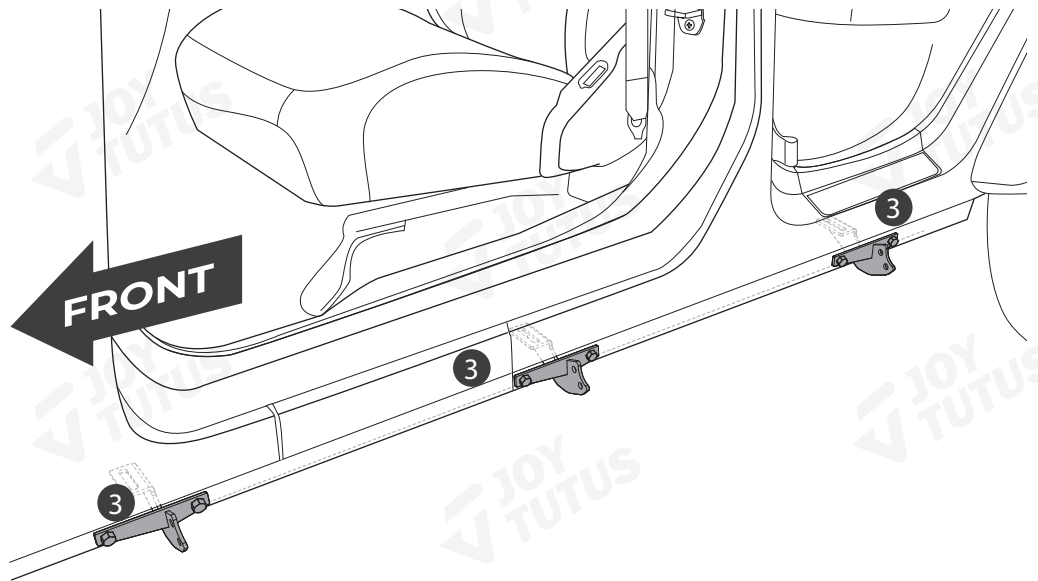
INSIDE



INSIDE



Do not tighten



Required tools (self-provided):



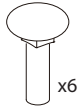
Socket wrench



M6 hex key

### STEP 3

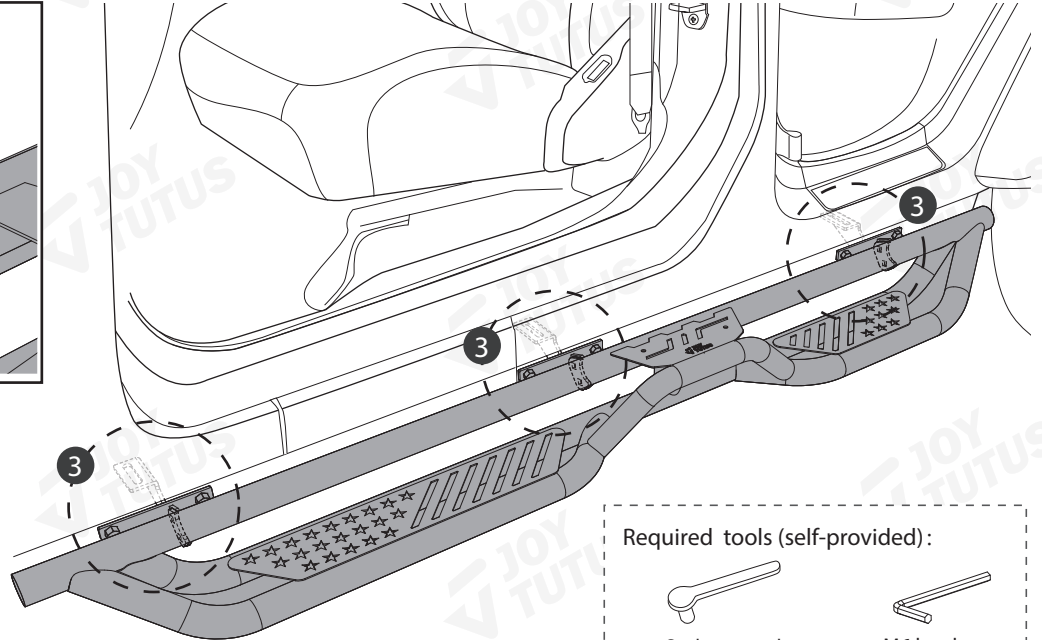
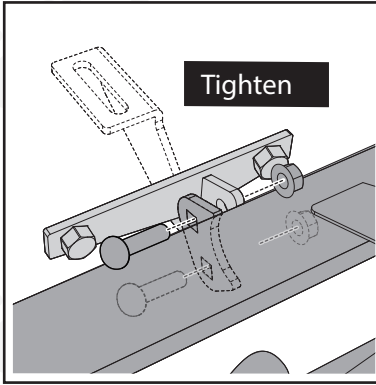
Required accessories:



5 M10 Round Head Square Neck Bolt



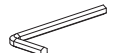
6 M10 Hex Flange Serrated Nut



Required tools (self-provided):



Socket wrench



M6 hex key

### STEP 4

Refer to steps 1-3 to install the pedal [1] on the other side.

### FUNCTION

Required tools (self-provided):



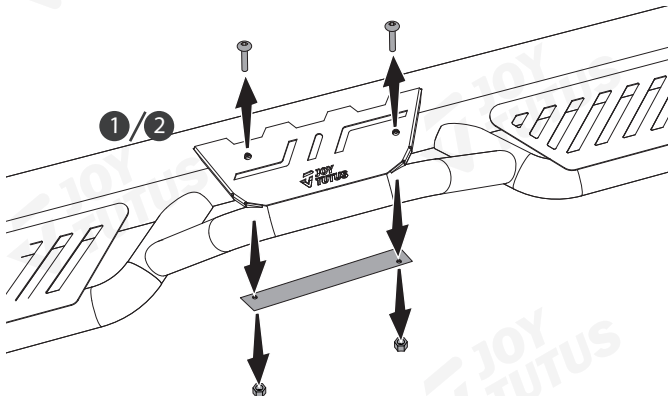
Socket wrench



S=5 hex key

### STEP 1

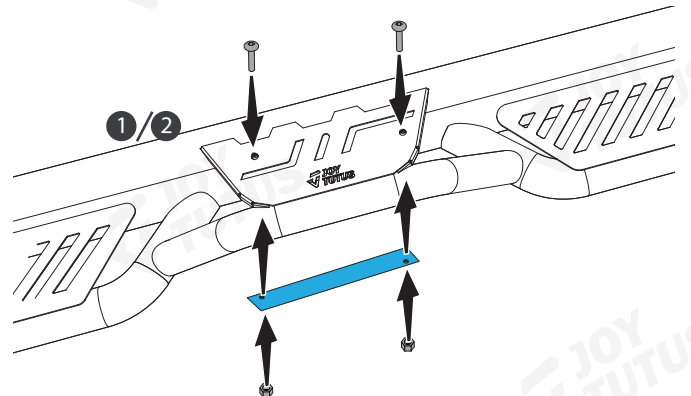
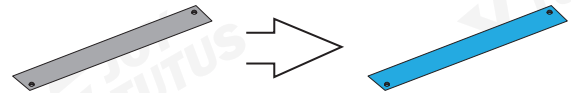
Disassemble the screw and nut ,  
Remove the decorative piece



### STEP 2

The decorative panel can be sprayed with the desired color using your own spray paint and then reinstalled.

Spray the decorative panel with the desired color using your own spray paint.



If you have any questions, please visit Joytutus website or email for quick response.

Web: [www.joytutus.com](http://www.joytutus.com)

Email: [Service@joytutus.com](mailto:Service@joytutus.com)