

IMPORTANT

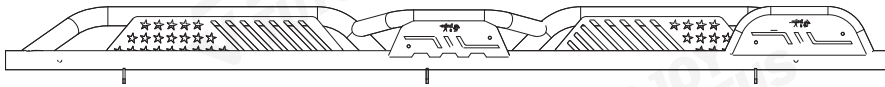
Before installation, please make sure that all accessories are ready. (As shown in the picture below).

Installation video

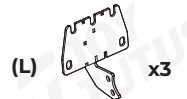
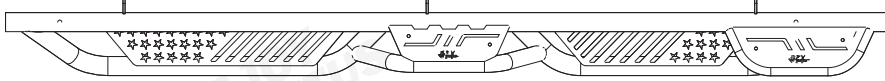


PRODUCT INFORMATION

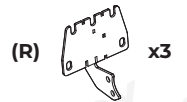
1 Side Step - R x1



2 Side Step - L x1



3 Mounting Bracket - L



4 Mounting Bracket - R



5 M10 Round Head Square Neck Bolt



6 M10 Hex Flange Serrated Nut

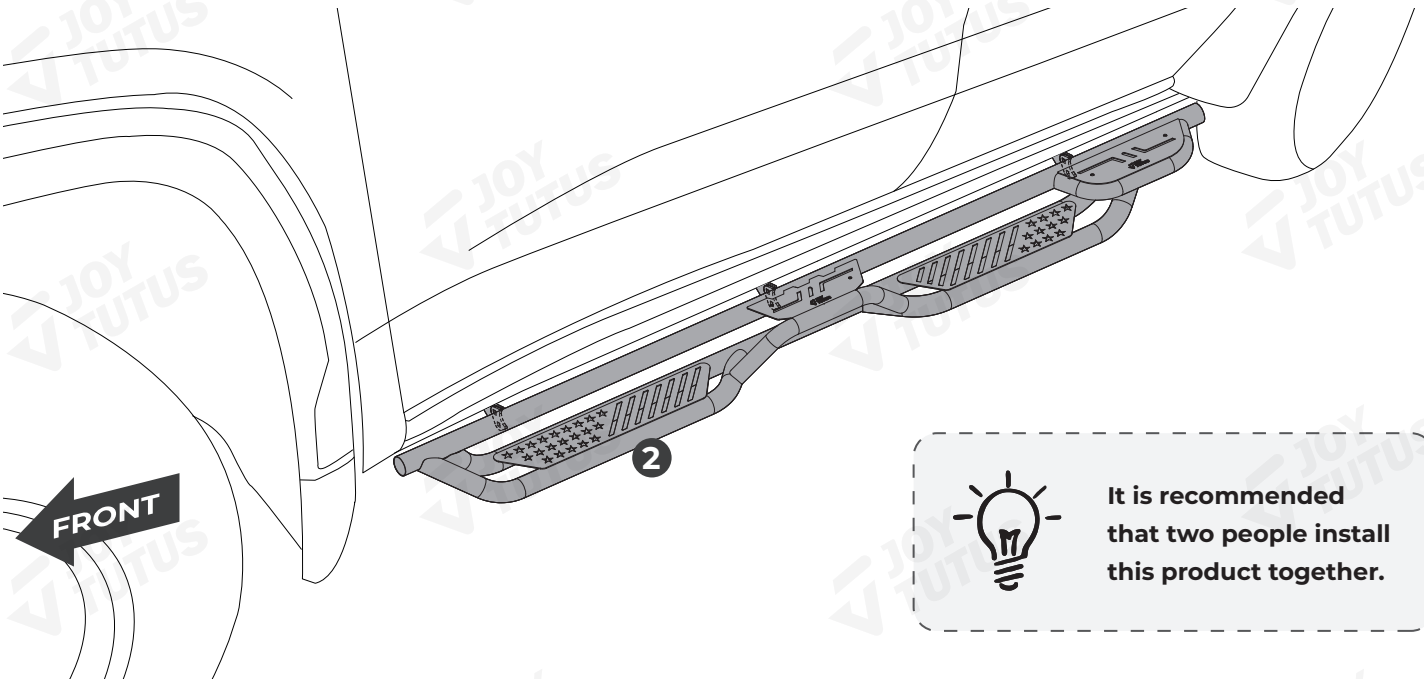


7 M8 Hex Flange Self-Locking Nut



8 Spare parts kit

INSTALLATION COMPLETION DIAGRAM



Customer Support



Contact us by email: service@joytutus.com

JOYTUTUS help center:
<http://support.joytutus.com>



✓ INSTALLATION TIPS



When installing this product, first park the vehicle in a safe area and turn off the engine.

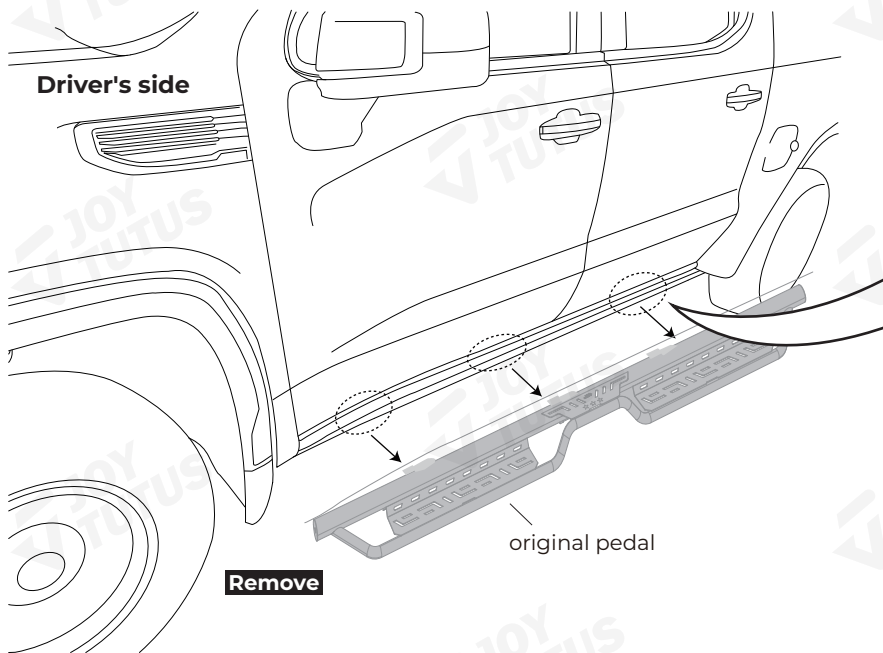
STEP 1

If the original vehicle pedal is already installed, please remove it first.
If there is no pedal in the original vehicle, please proceed directly to step 2.

Required tools (self-provided):

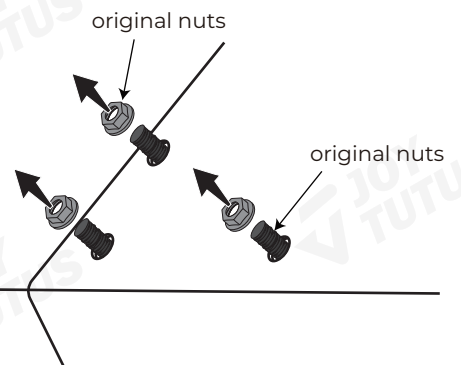


x1
13mm Open-end Wrench



Use tool to remove the original nut
(Please keep the original screws that have been removed, as they will be needed later.)

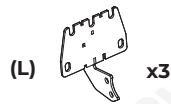
Remove nine original nuts.



The inside of the vehicle's bottom

STEP 2 Use tool to assemble and connect original screw and nut [7] to the bottom of the vehicle.

Required accessories:



3 Mounting Bracket - L

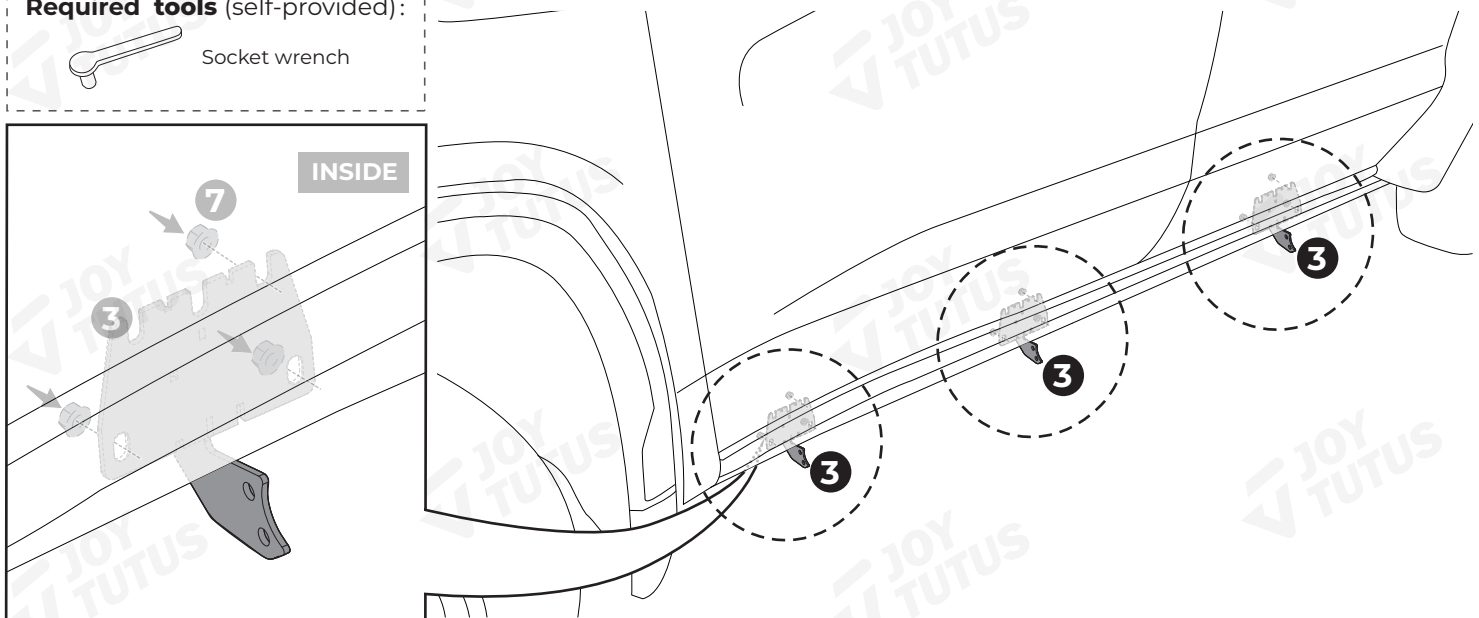


7 M8 Hex Flange Self-Locking Nut

Required tools (self-provided):

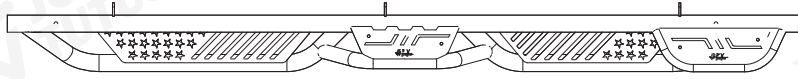


Socket wrench



STEP 3 Use tool along with bolt [5] and nut [6] to connect [3] and [2] together.
Refer to steps 1-3 to install the pedal [1] on the other side.

Required accessories:



2 Side Step - L x1



5 M10 Round Head Square Neck Bolt x6

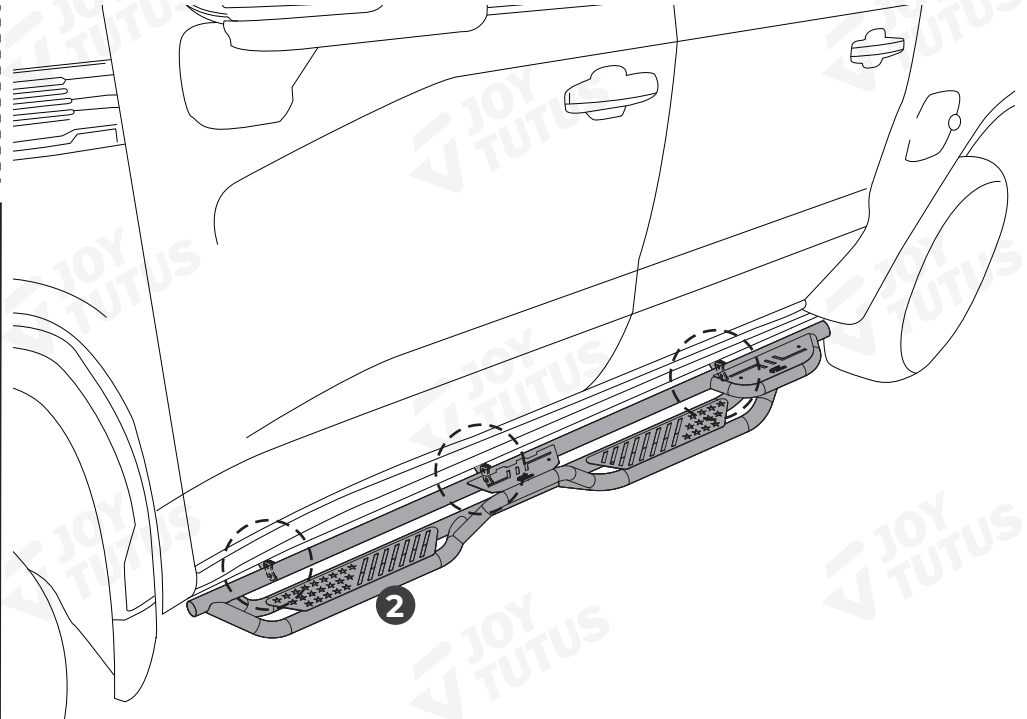
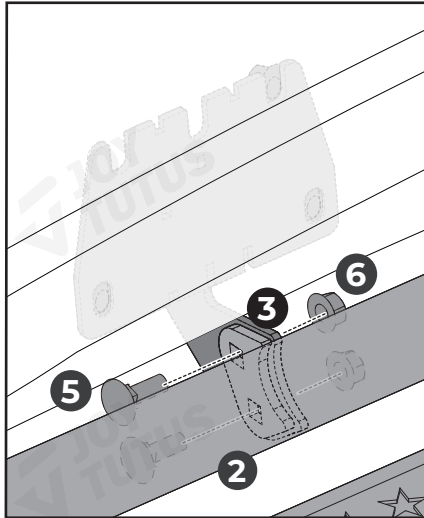


6 M10 Hex Flange Serrated Nut x6

Required tools (self-provided):



Socket wrench

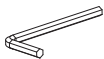


FUNCTION

Required tools (self-provided):



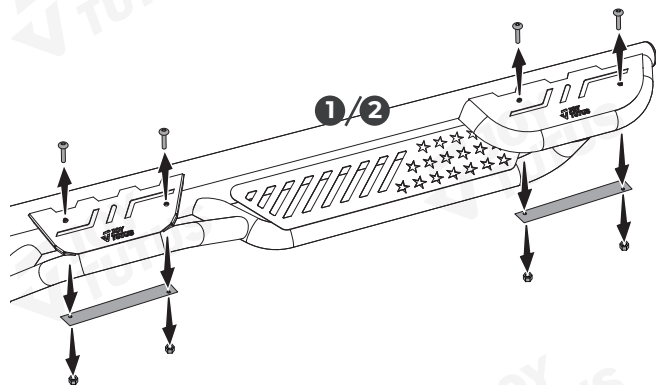
Socket wrench



S=5 hex key

STEP 1

Disassemble the screw and nut,
Remove the decorative piece



STEP 2

The decorative panel can be sprayed with the desired color using your own spray paint and then reinstalled.

Spray the decorative panel with the desired color using your own spray paint.

