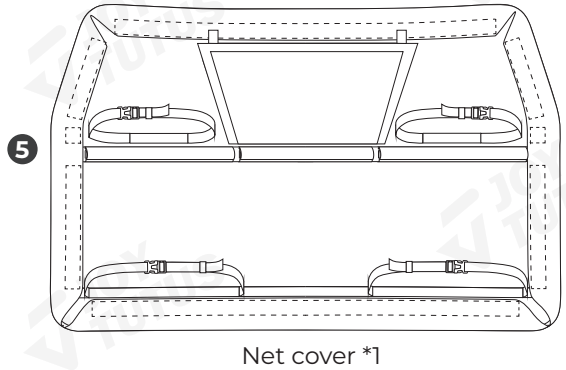
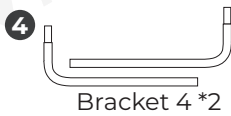
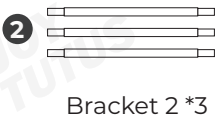
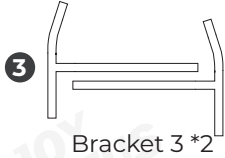
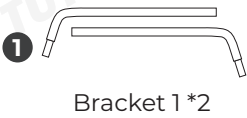


✓ IMPORTANT

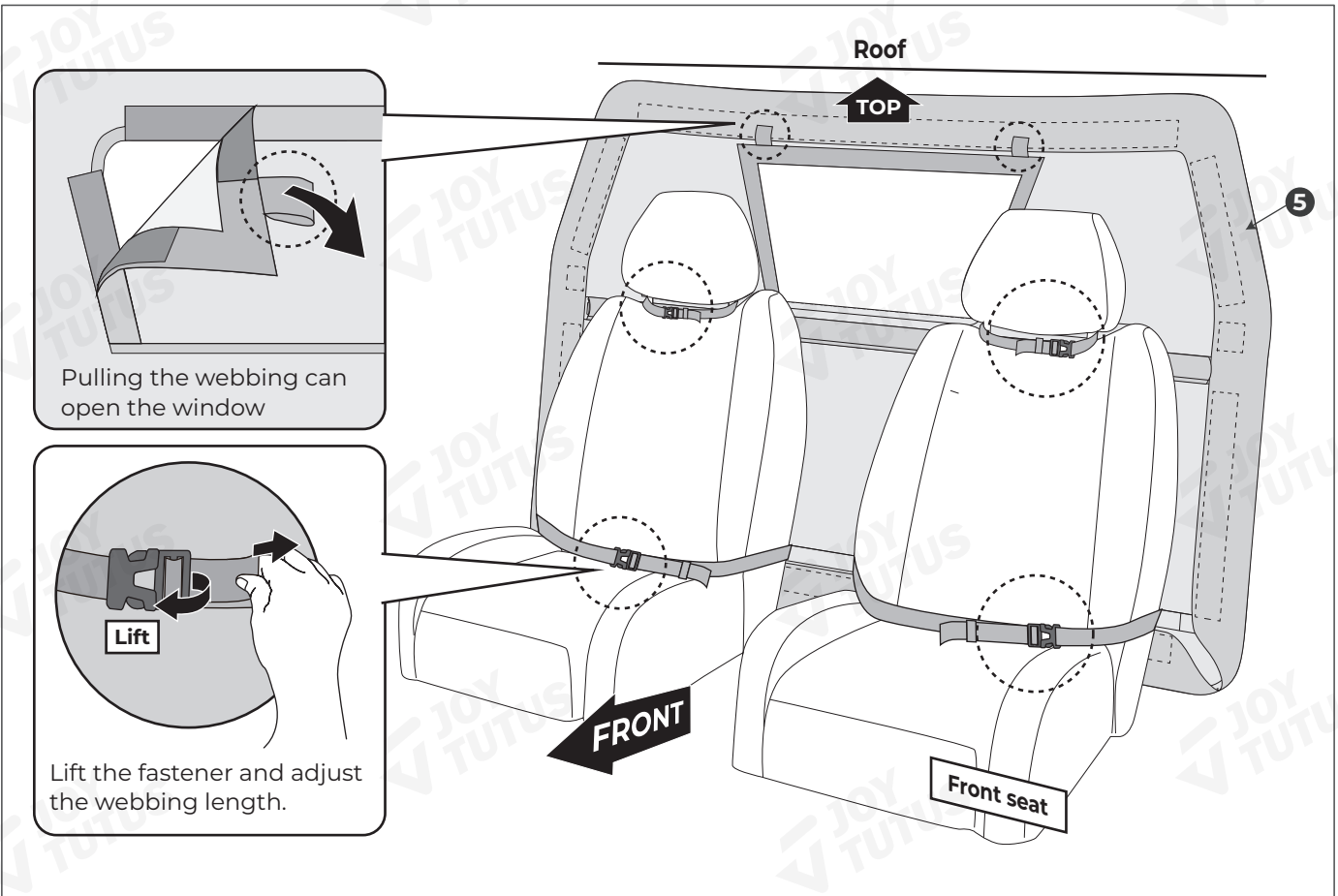
Before installation, please make sure that all accessories are ready.
(As shown in the picture below)

Installation video:

✓ PRODUCT INFORMATION



✓ INSTALLATION COMPLETION DIAGRAM



Customer Support

Contact us by email: service@joytutus.com

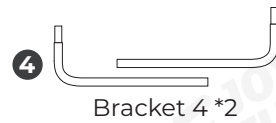
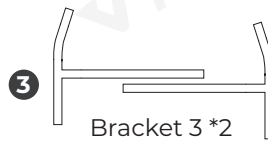
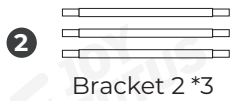
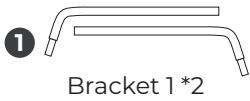
JOYTUTUS help center:
<http://support.joytutus.com>



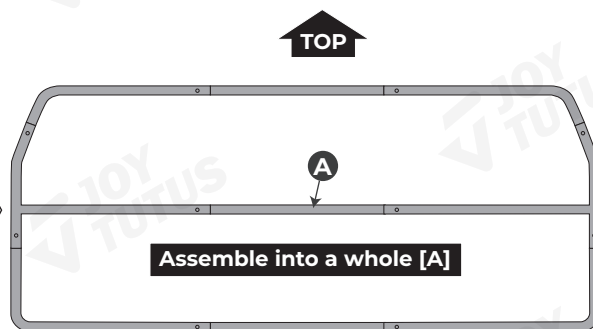
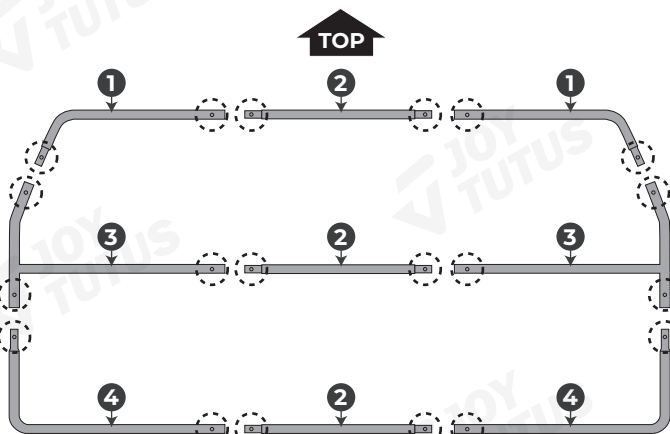
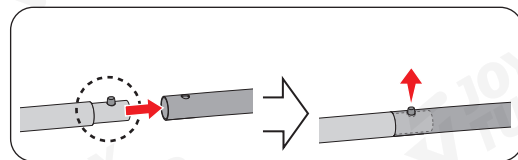
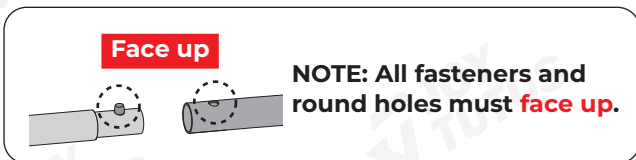
✓ INSTALLATION METHOD

STEP 1:

Required accessories:

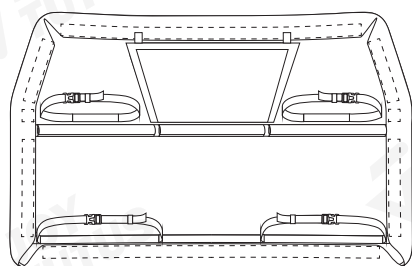


Assemble all pipe fittings as A whole [A]. (Each pipe is labeled with a corresponding number).

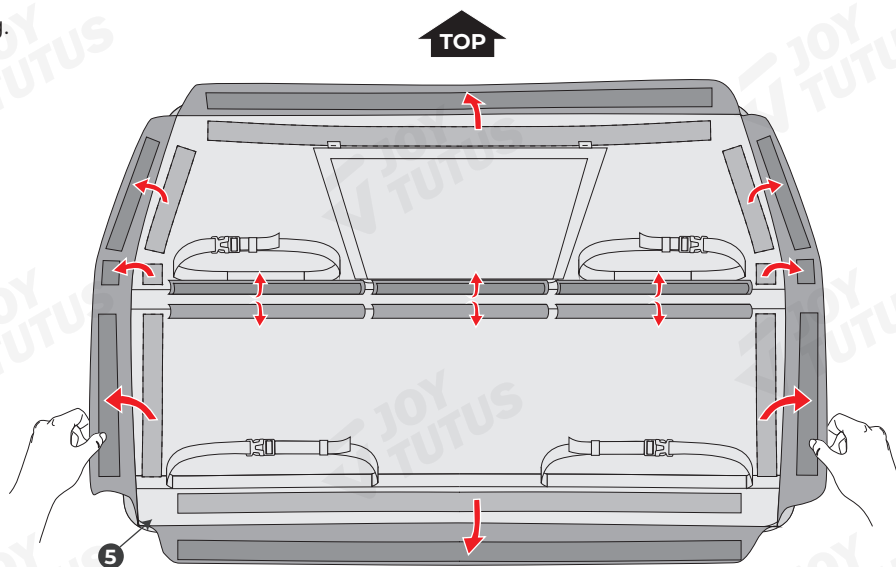


STEP 2: Loosen all velcro webbing.

Required accessories:

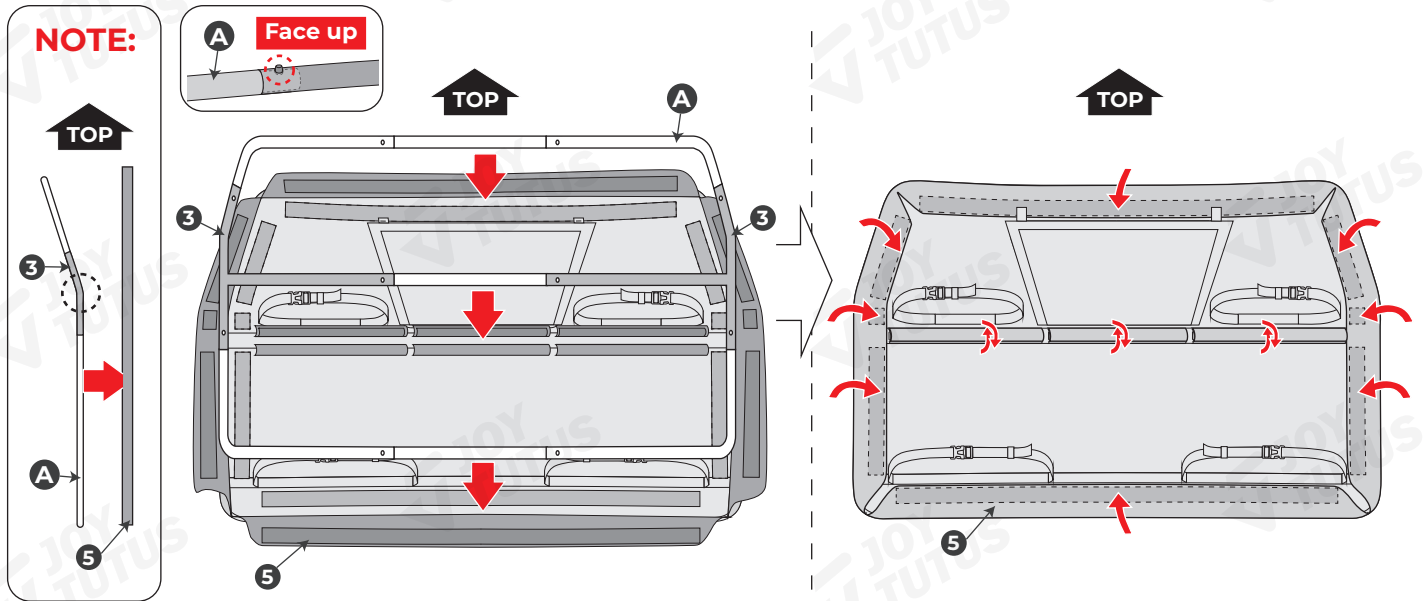


5 Net cover *1



STEP 3:

Pay attention to the orientation of the pipe fitting. Place [A] on [5] and stick the Velcro around [5] tightly. The assembly is now complete.

**STEP 4:**

The overall frame is supported to the top of the roof, and the fastener webbing is installed from the top down. **(LOGO facing back).**

