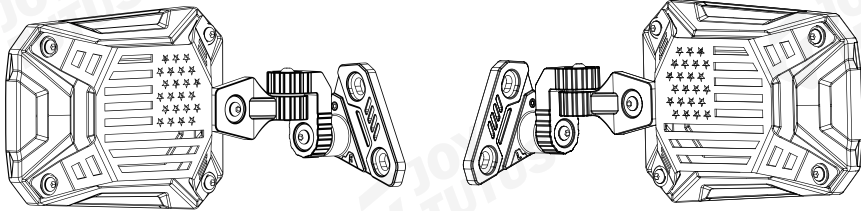


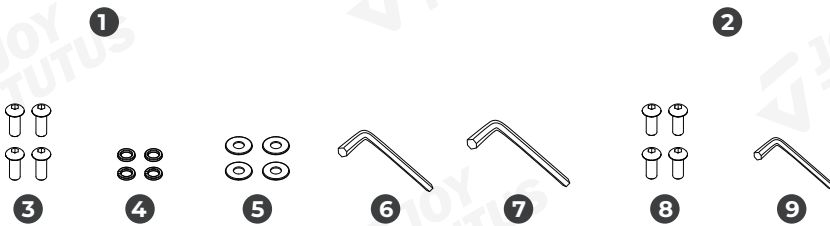
### IMPORTANT

Before installation, please make sure that all accessories are ready. (As shown in the picture below).

### PRODUCT INFORMATION



- 1 Mirror - Right x1
- 2 Mirror - Left x1
- 3 Screw M8\*L25 x4
- 4 Metal Spring Washer M8 x4
- 5 Metal Flat Washer M8\*D16\*1 x4
- 6 Hex Wrench 4mm x1
- 7 Hex Wrench 5mm x1
- 8 Hexagon socket head screw 5/16-18\*L1-1/8 x4
- 9 Hex Wrench 2.5mm x1



### INSTALLATION TIPS

**STEP 1:** Remove two original bolts [A] just in front of door hinge.

Remove

Dirver Side

**STEP 2:** Install the left mirror onto the car using the screw [3], spring washer [4] and washer [5].

Tighten

Dirver Side

**STEP 3:** Adjust the angle and then tighten the screw.

Tighten

Dirver Side

**STEP 4:** Tighten the two screws as shown in the figure.

Tighten

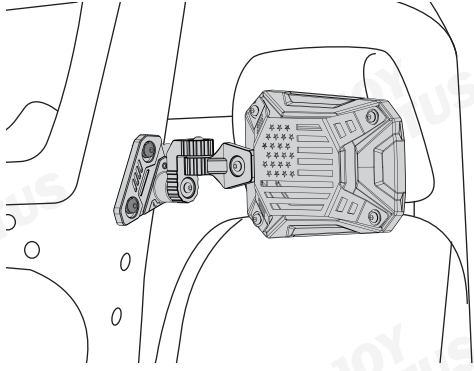
Dirver Side

**Repeat Steps 1-4 to install the other side.**

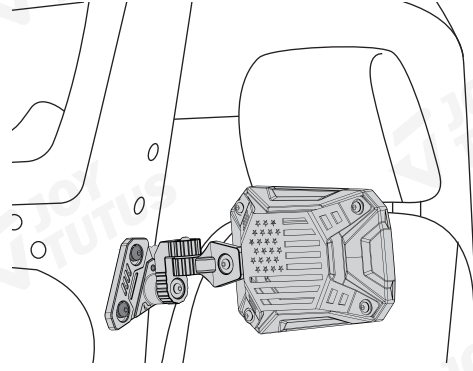
## ✓ INSTALLATION MODE

### Wrangler JK JKU

Method one

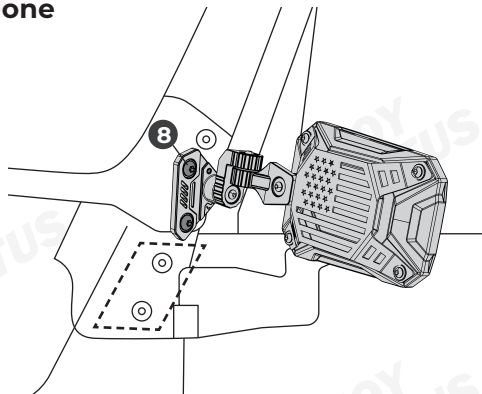


Method two

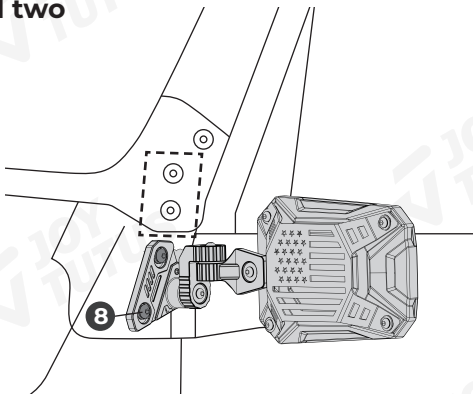


### Wrangler TJ

Method one

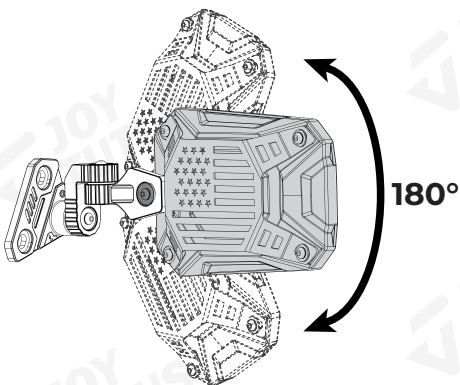


Method two

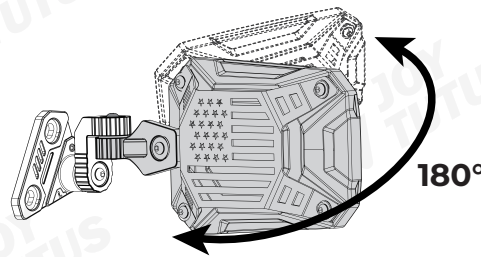


## ✓ FUNCTION

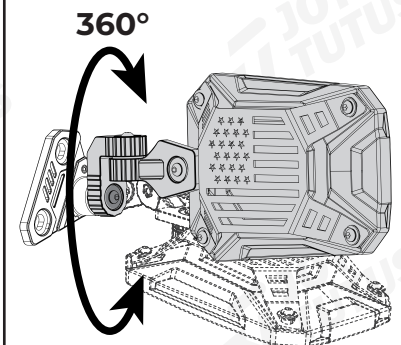
01)



02)



03)



### Customer Support



Contact us by email: [service@joytutus.com](mailto:service@joytutus.com)

JOYTUTUS help center:  
<http://support.joytutus.com>

