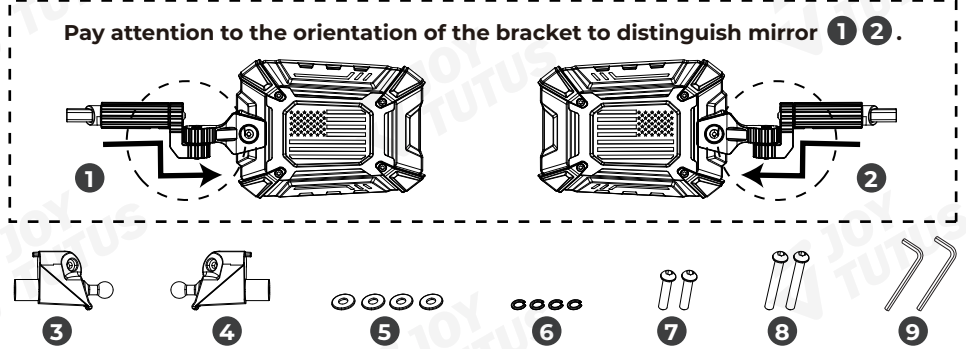


### IMPORTANT

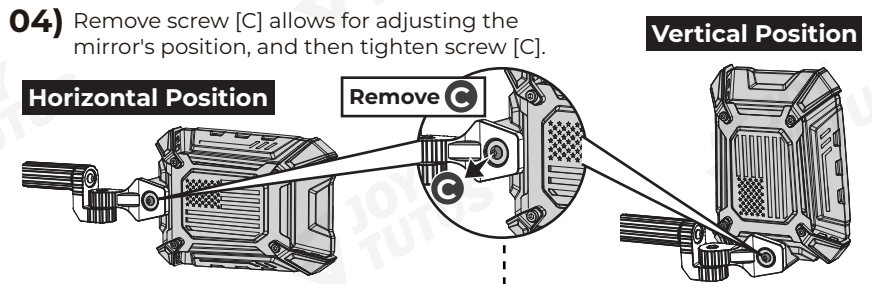
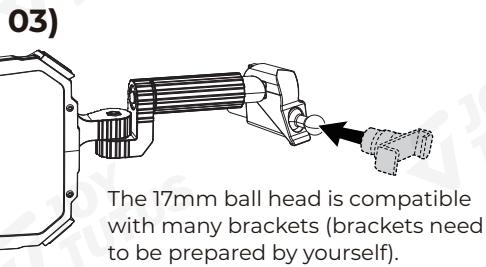
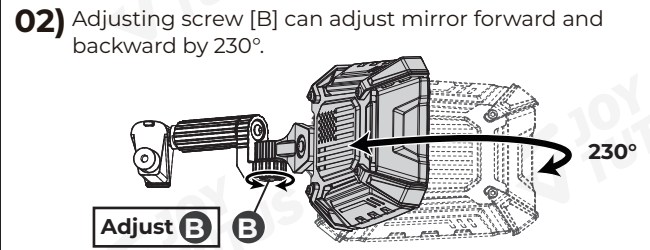
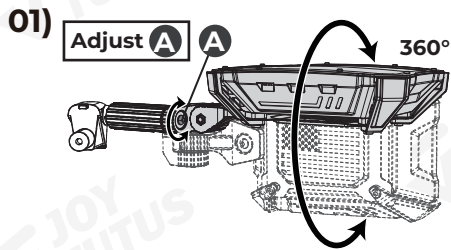
Before installation, please make sure that all accessories are ready. (As shown in the picture below).

### PRODUCT INFORMATION

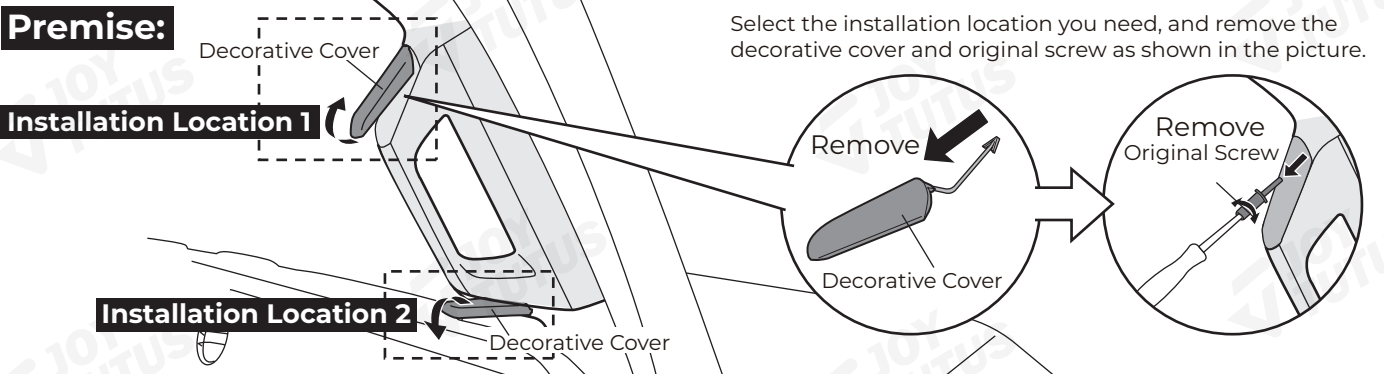
- |   |                            |    |
|---|----------------------------|----|
| 1 | Mirror - a                 | x1 |
| 2 | Mirror - b                 | x1 |
| 3 | Mounting Base - c          | x1 |
| 4 | Mounting Base - d          | x1 |
| 5 | M6*D10*1.0 Metal Washer    | x4 |
| 6 | M6 Spring Lock Washer      | x4 |
| 7 | M6*L20 Screw               | x2 |
| 8 | M6*L45 Screw               | x2 |
| 9 | 2.5mm and 4mm Allen Wrench | x2 |



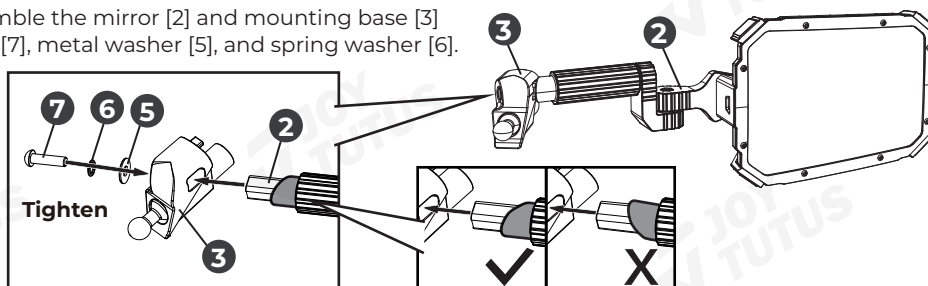
### FUNCTION



### INSTALLATION TIPS



**STEP 1:** Assemble the mirror [2] and mounting base [3] with the screw [7], metal washer [5], and spring washer [6].

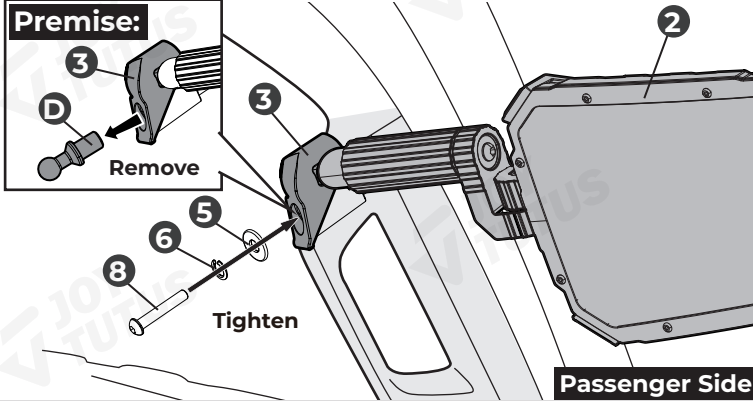


Pay attention the bracket to distinguish mirror.

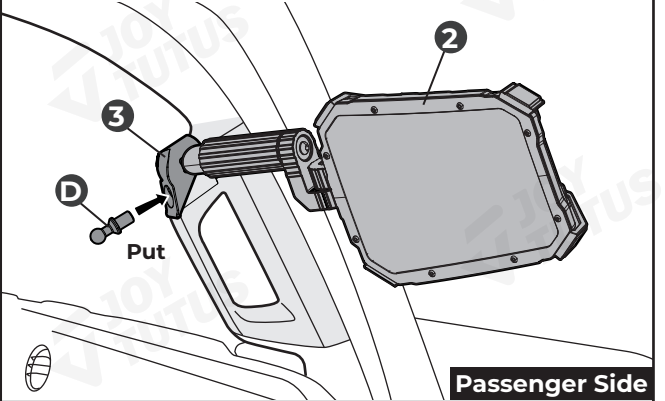
**Installation Location 1**

**Passenger Side**

**STEP 2:** Remove the ball adapter [D] from the mounting base [3]. Install the mounting base [3] on the vehicle using the screw [8], the metal washer [5], and the spring washer [6].

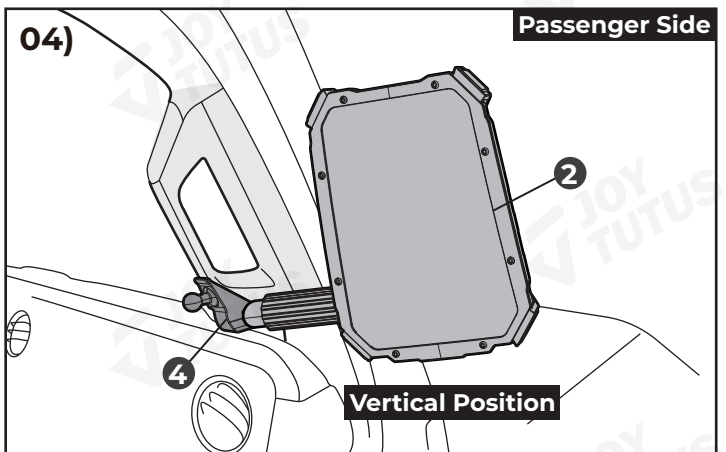
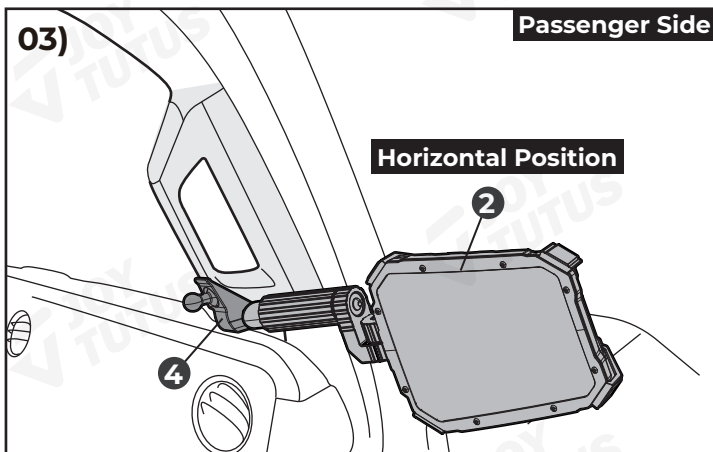
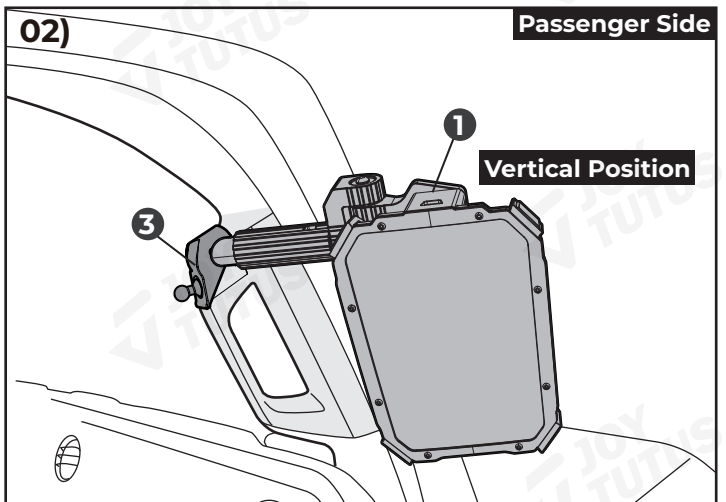
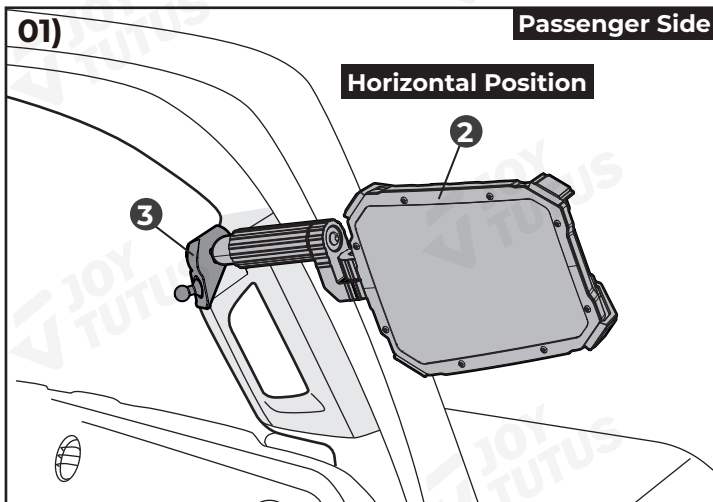


**STEP 3:** Put the ball adapter [D] back in place.  
**STEP 4:** Repeat steps 1-3 to install the mirror [1] and mounting base [4] on the other side.

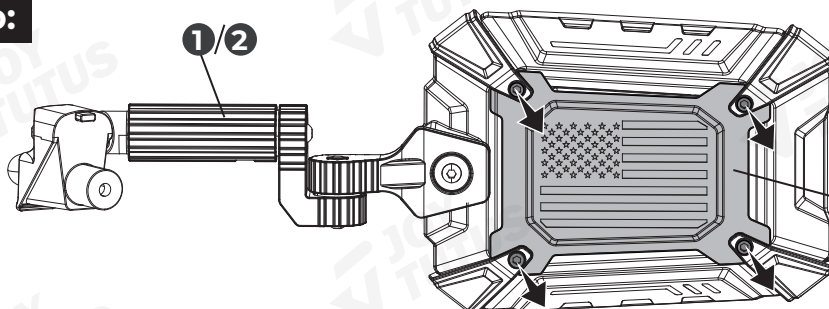


## ✓ SCENE APPLICATION (Here's an example showing the passenger side.)

Pay attention the bracket to distinguish mirror.



### Tip:



Remove the four screws shown in the diagram, and the the flag pattern of the mirror can be removed and swapped with the flag pattern of the other side of the mirror.

the flag pattern

If you have any questions, please visit Joytutus website or email for quick response.

Web: [www.joytutus.com](http://www.joytutus.com)

Email: [Service@joytutus.com](mailto:Service@joytutus.com)