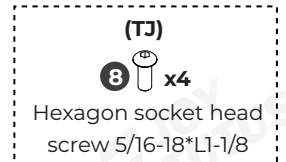
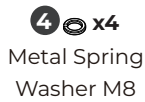
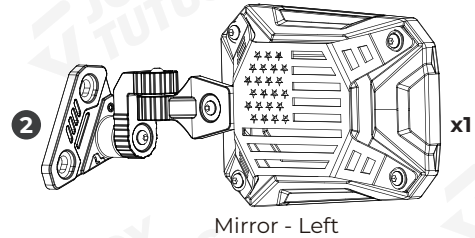
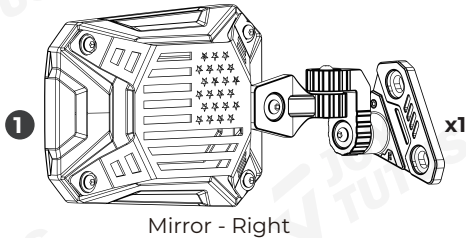


IMPORTANT

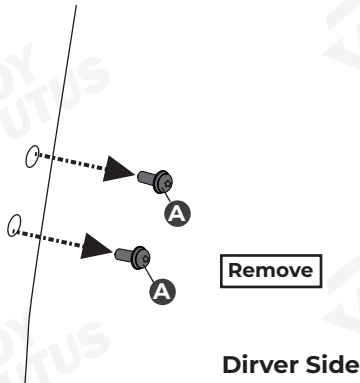
Before installation, please make sure that all accessories are ready. (As shown in the picture below).

PRODUCT INFORMATION

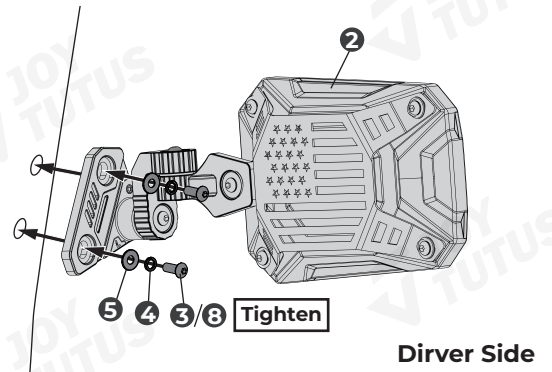
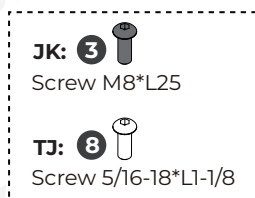


INSTALLATION TIPS

STEP 1: Remove two original bolts [A] just in front of door hinge.

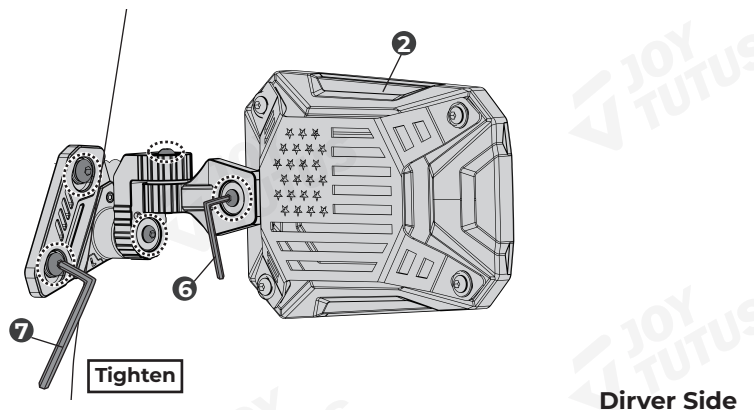


STEP 2: Install the left mirror onto the car using the screw [3/8], spring washer [4] and washer [5].



STEP 3: Adjust the angle and then tighten the screw.

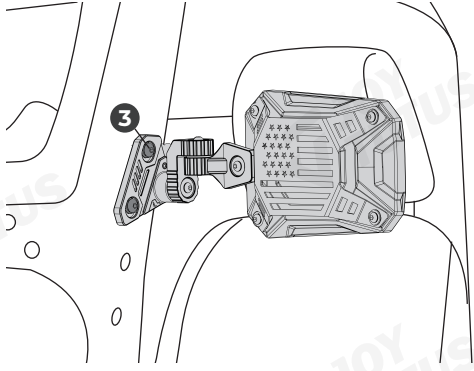
STEP 4: Repeat Steps 1-3 to install the other side.



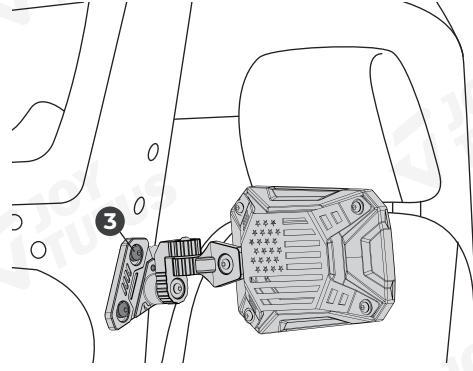
✓ INSTALLATION MODE

Wrangler JK JKU

Method one

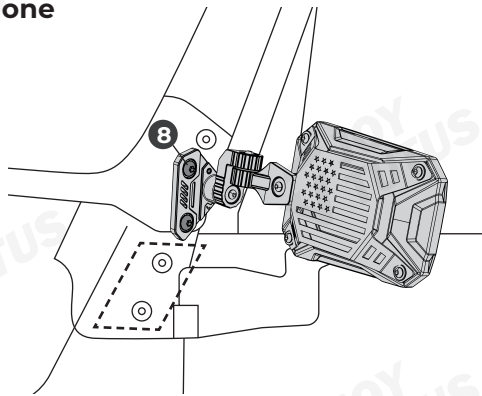


Method two

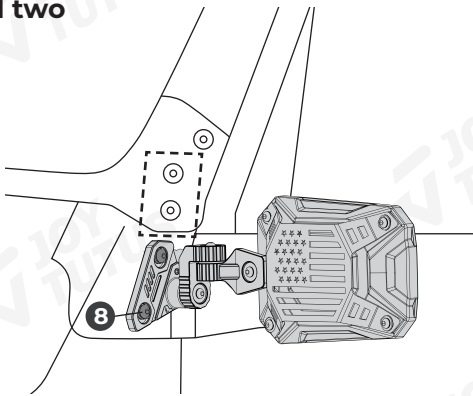


Wrangler TJ

Method one

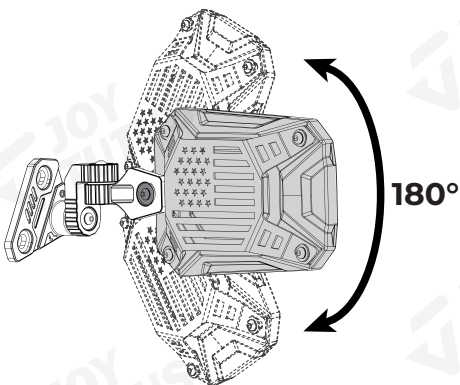


Method two

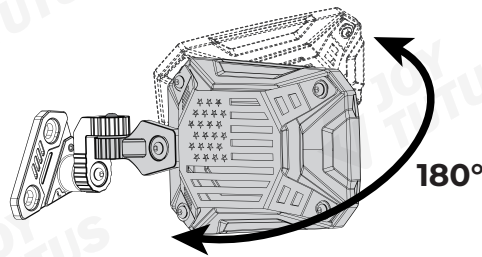


✓ FUNCTION

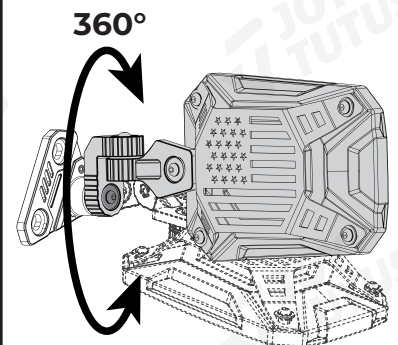
01)



02)



03)



Customer Support



Contact us by email: service@joytutus.com

JOYTUTUS help center:
<http://support.joytutus.com>

