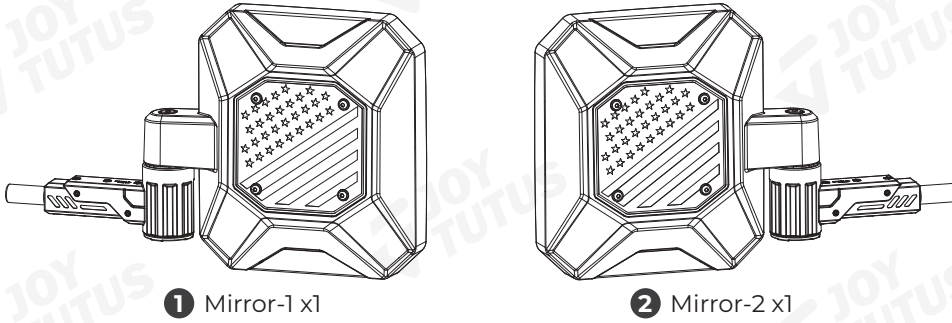


### IMPORTANT

Before installation, please make sure that all accessories are ready.  
(As shown in the picture below).

### PRODUCT INFORMATION



### CUSTOMER SUPPORT

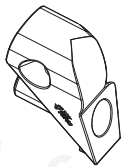


Contact us by email:  
service@joytutus.com

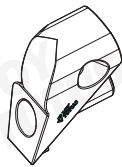
JOYTUTUS help center:



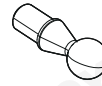
<http://support.joytutus.com>



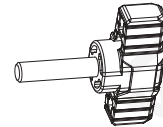
**3** A-pillar bracket-1 x1



**4** A-pillar bracket-2 x1



**5** Ball head phone mount x2



**6** Thumb screw x2



**7** Metal washer x2



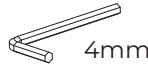
**8** Metal spring washer x2



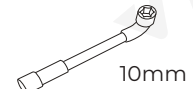
**9** Button head hex socket screw x2



**10** Hex Wrench x1



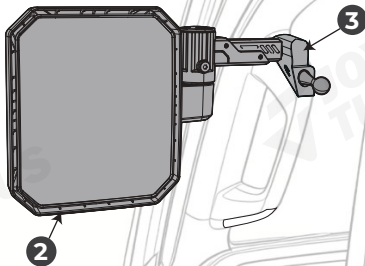
**11** Hex Wrench x1



**12** Socket wrench x1

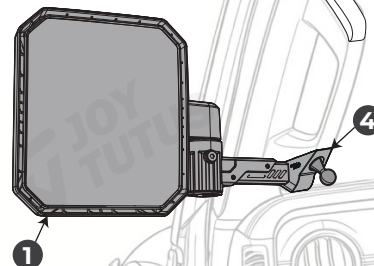
### INSTALLATION COMPLETION DIAGRAM

#### Installation Location 1



Driver's side

#### Installation Location 2



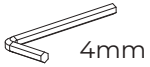
Driver's side

## ✓ INSTALLATION TIPS

### STEP 1:

Select the installation location you need, and remove the decorative cover and original screw as shown in the picture.

#### Required tool:



⑪ Hex Wrench x1

#### Installation Location 1

#### Installation Location 2

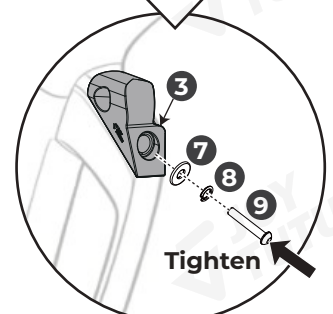
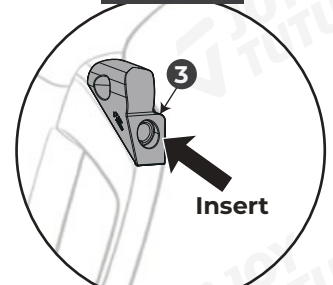
Driver's side

#### Installation Location 1

##### STEP 1-1



##### STEP 1-2

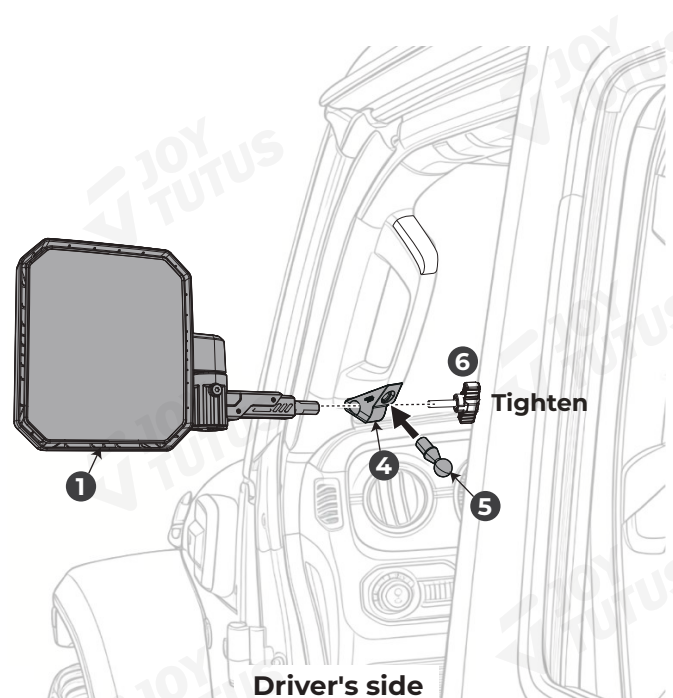
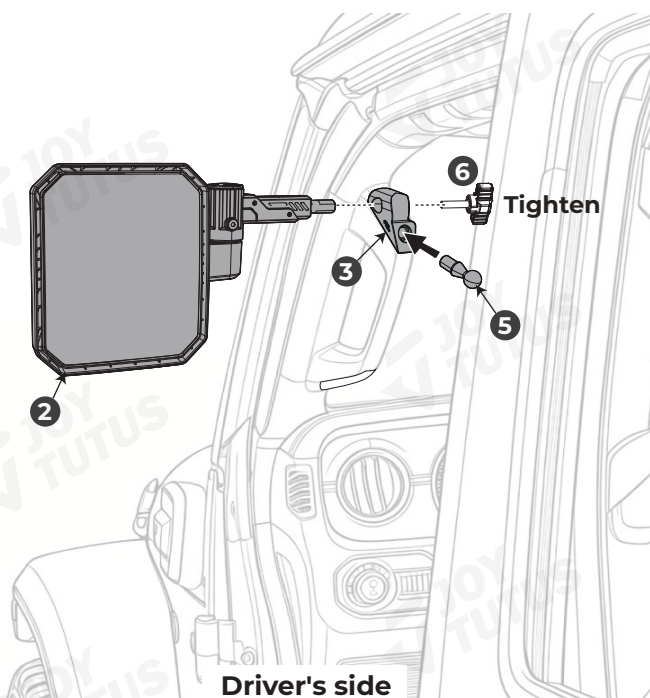


The required bracket for installation location 2 is [4], and the installation method is otherwise the same.

### STEP 2:

#### Installation Location 1

#### Installation Location 2



The installation method is the same for the other side.

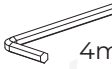

## FUNCTION

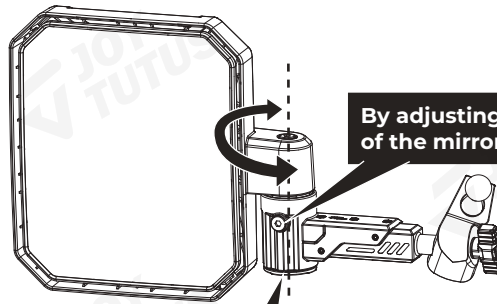
### FUNCTION 1:

The mirror can automatically rebound in both positive and negative directions:

- 1) When the mirror's rotation angle is greater than  $0^\circ$  and less than  $90^\circ$ , it will automatically rebound to the initial position.
- 2) When the mirror's rotation angle is greater than  $-90^\circ$  and less than  $0^\circ$ , it will automatically rebound to the initial position.
- 3) When the mirror is rotated to  $-90^\circ$ ,  $0^\circ$ , and  $90^\circ$ , it can be fixed at these three positions.

#### Required tool:

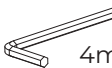
-  4mm
- 11 Hex Wrench x1
-  10mm
- 12 Socket wrench x1

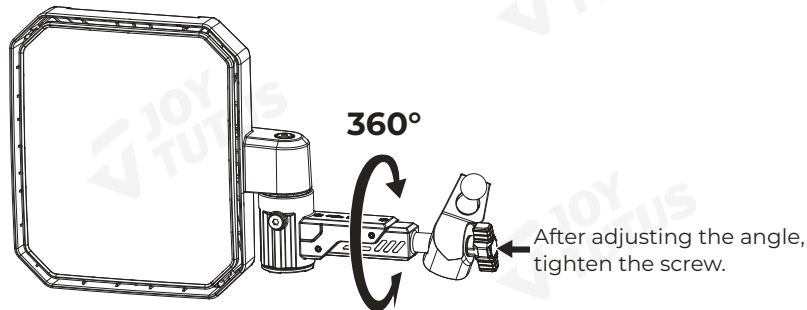


Remove this plug cover to adjust the tightness of the nut and screw, thereby regulating the rebound force of the pivot shaft.

### FUNCTION 2:

#### Required tool:

-  4mm
- 11 Hex Wrench x1

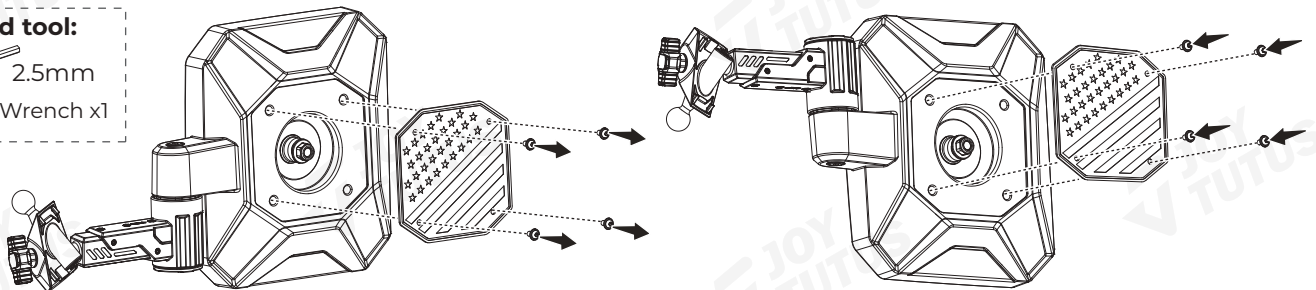


### FUNCTION 3:

After repositioning the conversion bracket, if the decorative plate on the back of the mirror is oriented incorrectly, you can adjust the direction of the decorative plate by loosening the screws on the back of the mirror.

#### Required tool:

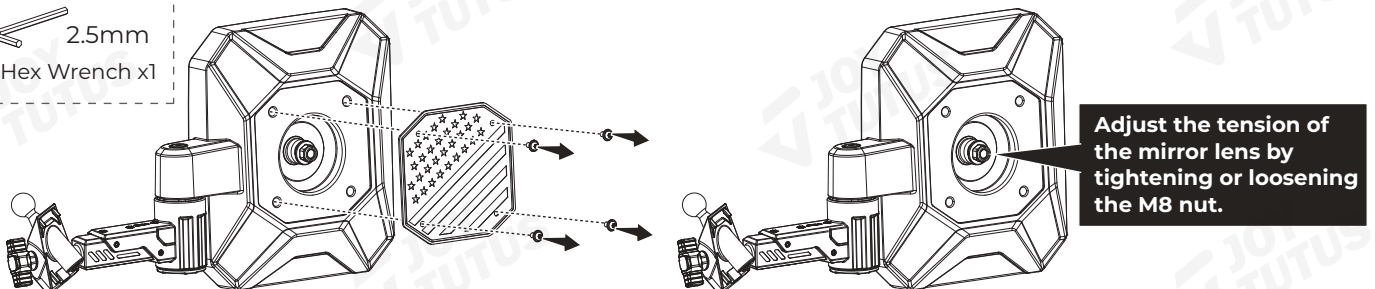
-  2.5mm
- 10 Hex Wrench x1



### FUNCTION 4:

#### Required tool:

-  2.5mm
- 10 Hex Wrench x1



If you have any questions, please visit Joytutus website for quick response.

Web: [www.joytutus.com](http://www.joytutus.com)