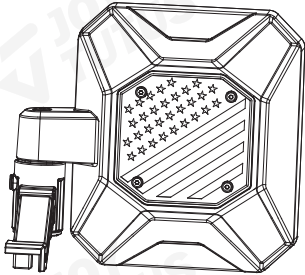


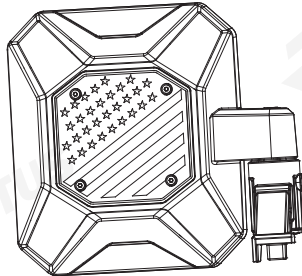
IMPORTANT

Before installation, please make sure that all accessories are ready.
(As shown in the picture below).

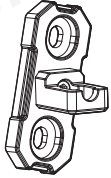
PRODUCT INFORMATION



1 Mirror-L x1



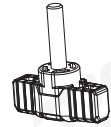
2 Mirror-R x1



3 Mounting Base x2



4 M6*D20*1 Metal Washer x2



5 M6*L16 Thumb Screw x2



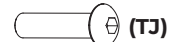
6 M8*D20*1 Metal Washer x4



7 M8 Metal Spring Washer x4



8 M8*L25 Button Head Hex Socket Cap Screw x4



9 5/16-18*L1-1/8 Button Head Hex Socket Cap Screw x4



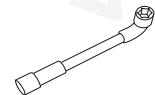
10 Hex Key 2.5mm x1



11 Hex Key 4mm x1



12 Hex Key 4.7mm x1

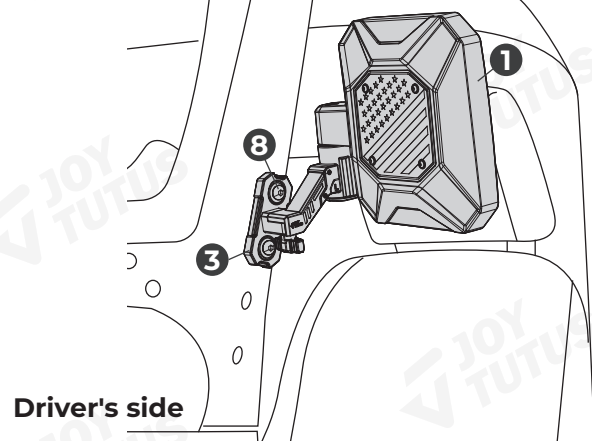


13 10mm Socket wrench x1

INSTALLATION COMPLETION DIAGRAM

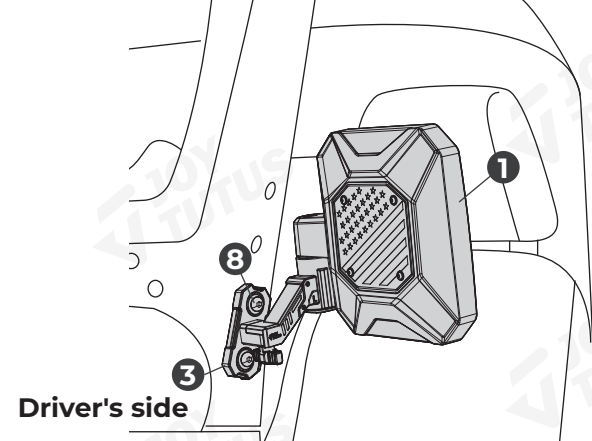
Wrangler JK JKU

Method one



Driver's side

Method two



Driver's side

CUSTOMER SUPPORT



Contact us by email:
service@joytutus.com

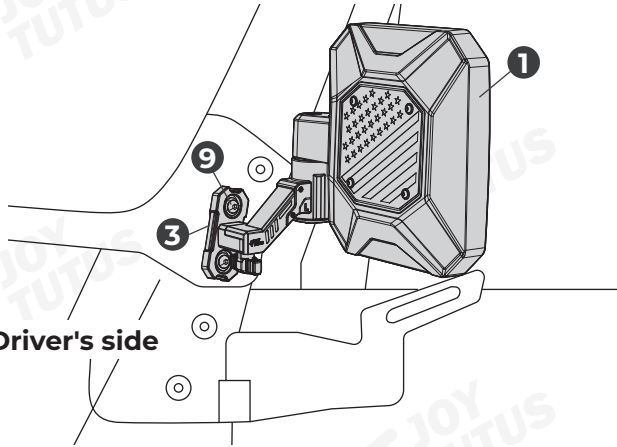
JOYTUTUS help center:



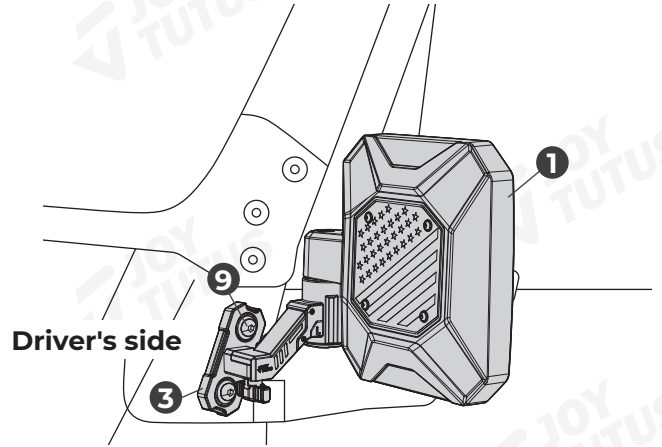
<http://support.joytutus.com>

Wrangler TJ

Method one



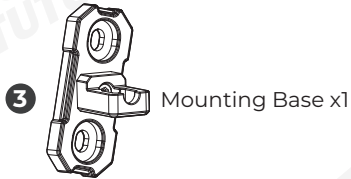
Method two



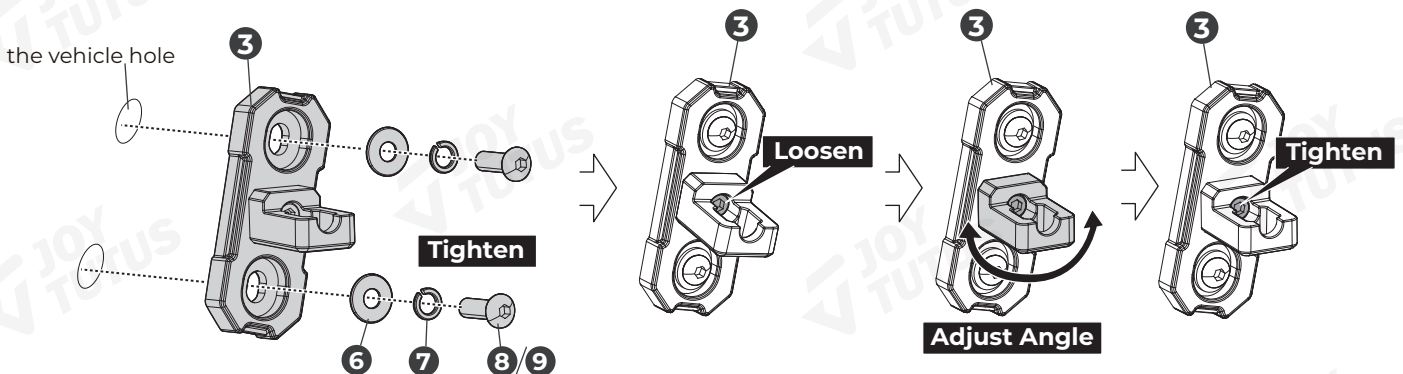
✓ INSTALLATION TIPS

STEP 1

Required accessories:

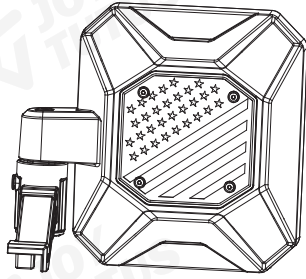


Premise: Remove the original screws from the vehicle.



STEP 2

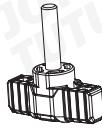
Required accessories:



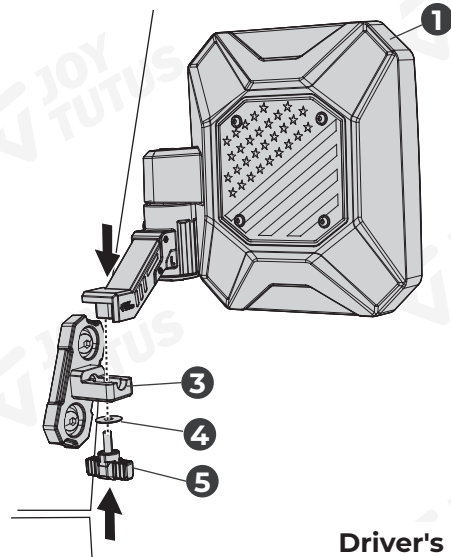
1 Mirror-L x1



4 M6*D20*1 Metal Washer x1



5 M6*L16 Thumb Screw x1



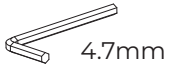
Driver's side

The installation method is the same for the other side.

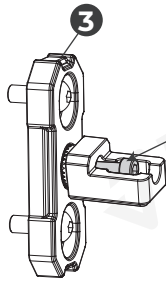
FUNCTION

FUNCTION 1:

Required tool:



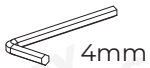
12 Hex Wrench x1



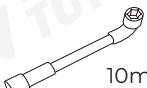
By adjusting this screw in the middle of the mounting bracket [3], it can accommodate the angle of the A-pillar of different vehicle models, allowing the mirror to achieve the optimal viewing angle.

FUNCTION 2:

Required tool:



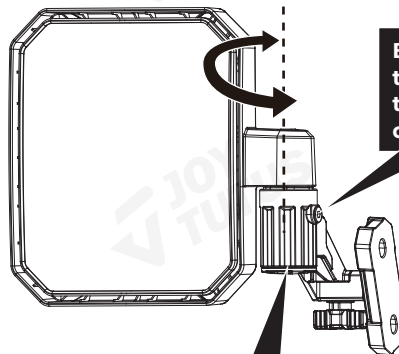
11 Hex Wrench x1



13 Socket wrench x1

The mirror can automatically rebound in both positive and negative directions:

- 1) When the mirror's rotation angle is greater than 0° and less than 90° , it will automatically rebound to the initial position.
- 2) When the mirror's rotation angle is greater than -90° and less than 0° , it will automatically rebound to the initial position.
- 3) When the mirror is rotated to -90° , 0° , and 90° , it can be fixed at these three positions.



By adjusting this screw, the initial position of the mirror can be freely defined.

Remove this plug cover to adjust the tightness of the nut and screw, thereby regulating the rebound force of the pivot shaft.

FUNCTION 3:

Required tool:



10 Hex Wrench x1

Adjust the tension of the mirror lens by tightening or loosening the M8 nut.

