

### IMPORTANT

Before installation, please make sure that all accessories are ready. (As shown in the picture below).

Estimated installation time:

**15-30 minutes**

### CUSTOMER SUPPORT

JOYTUTUS help center:

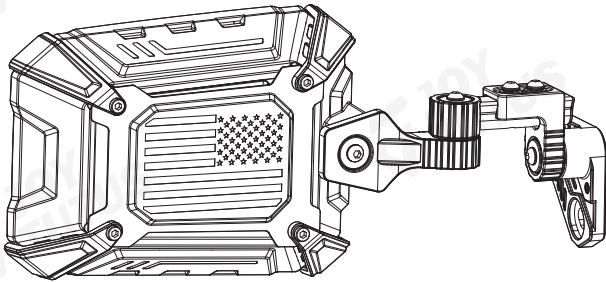


Contact us by email:  
service@joytutus.com

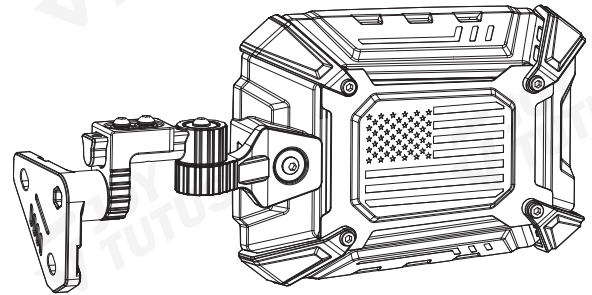


<http://support.joytutus.com>

### PRODUCT INFORMATION



1 Mirror - Right x1



2 Mirror - Left x1



3 M8\*D20\*1 Washer x4



4 M8 Spring Washer x4



5 (JK) M8\*L25 Screw x4



6 (TJ) 5/16-18\*L1-1/8 Screw x4



7 2mm Hex Wrench x1



8 4mm Hex Wrench x1



9 4.7mm Hex Wrench x1

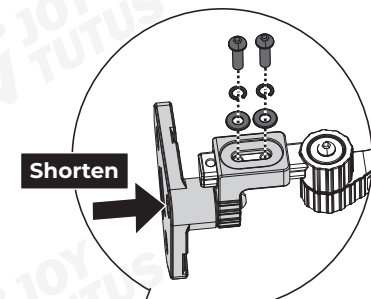
### INSTALLATION METHOD

#### Adjust

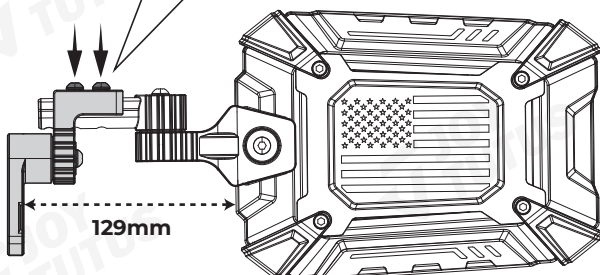
**NOTE:**

This position can be adjusted according to your own needs, extending it appropriately when doors are on and shortening it appropriately when doors are off.

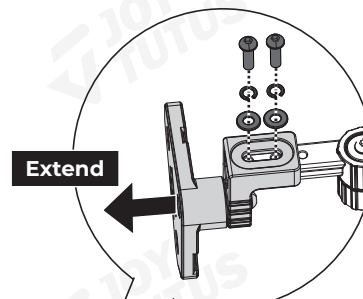
#### Stretch to the shortest position



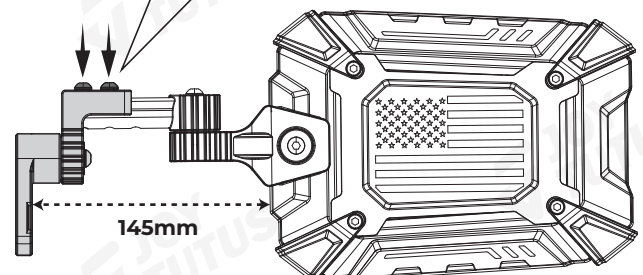
**NOTE:** Select the two inner holes to stretch the mirror to the shortest position.



#### Stretch to the longest position

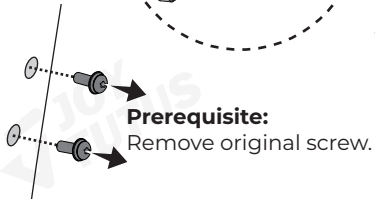
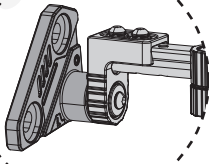


**NOTE:** Select the two outer holes to stretch the mirror to the longest position.

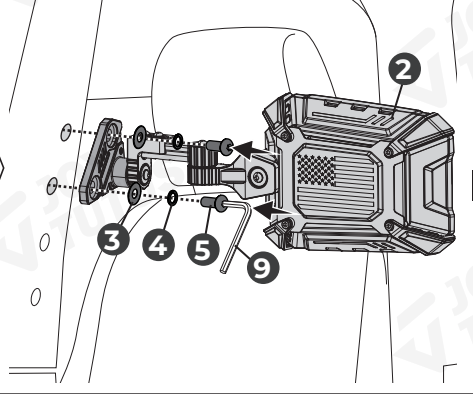


## Wrangler JK JKU

### with doors off

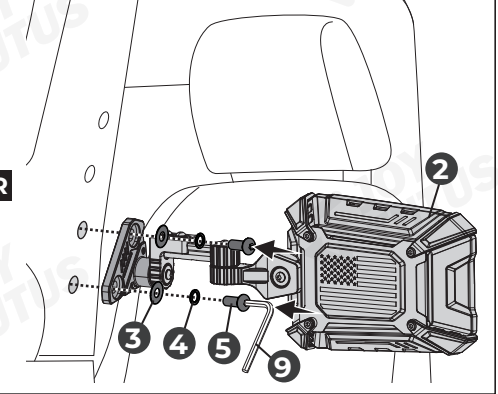


### Installation position 1 - Driver's side



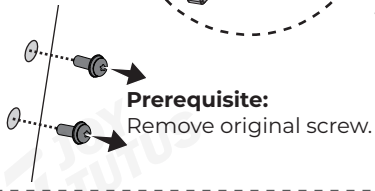
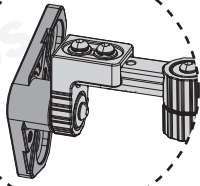
OR

### Installation position 2 - Driver's side

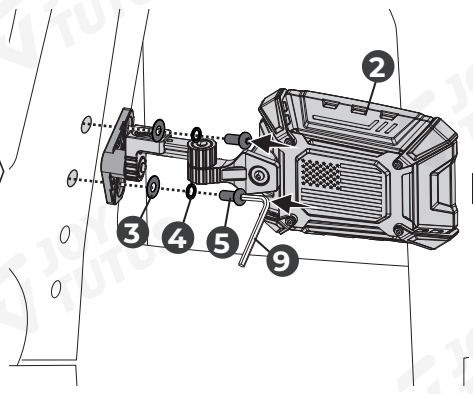


### with doors on

**NOTE:** This installation mode will not interfere with the vehicle door.

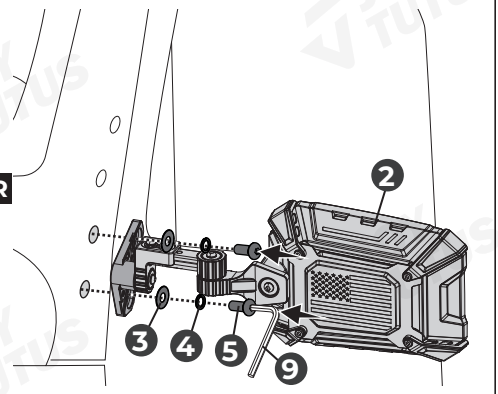


### Installation position 1 - Driver's side



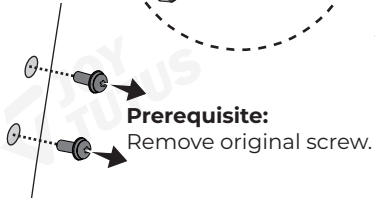
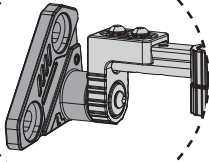
OR

### Installation position 2 - Driver's side

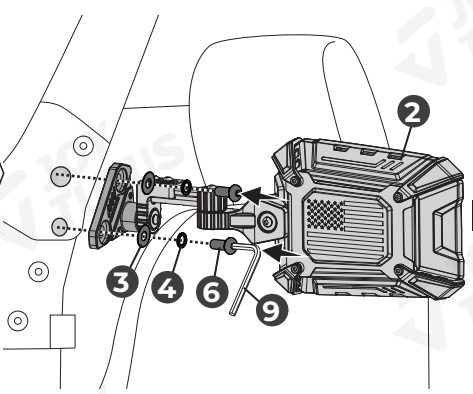


## Wrangler TJ

### with doors off

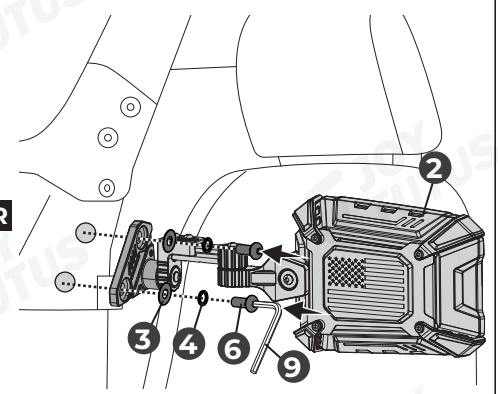


### Installation position 1 - Driver's side



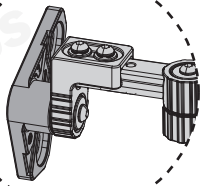
OR

### Installation position 2 - Driver's side

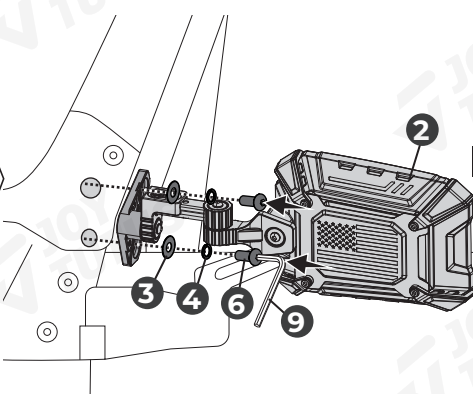


### with doors on

**NOTE:** This installation mode will not interfere with the vehicle door.

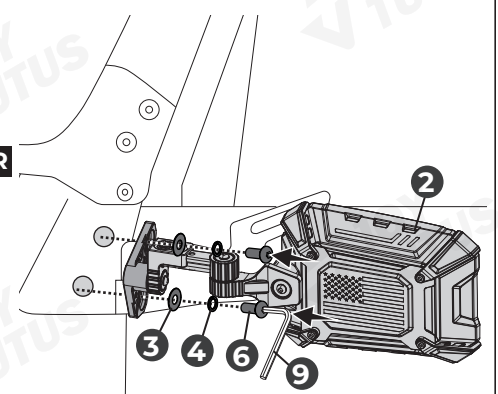


### Installation position 1 - Driver's side



OR

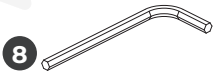
### Installation position 2 - Driver's side



## FUNCTION

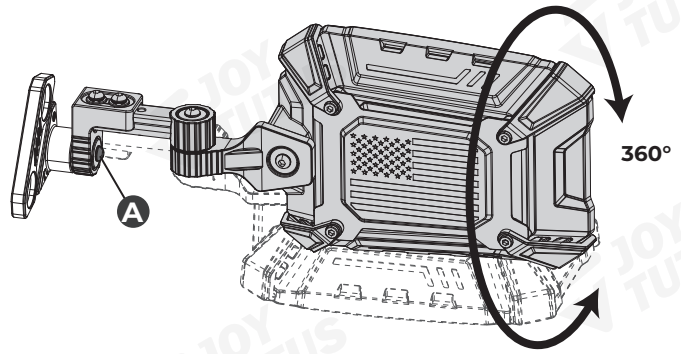
### FUNCTION 1:

#### Required tool:



4mm Hex  
Wrench **x1**

Adjusting screw **A** can rotate mirror up and down 360°.



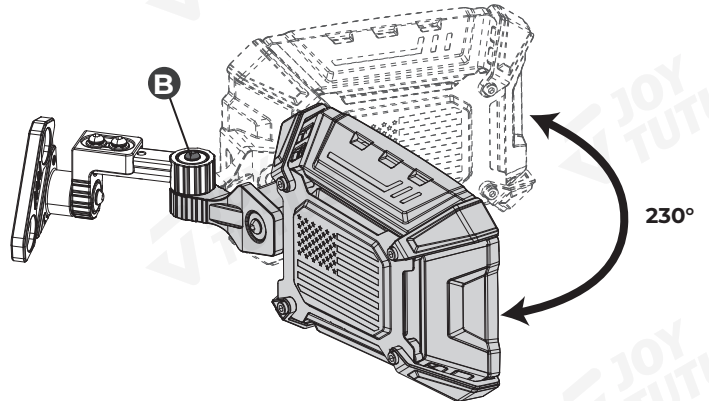
### FUNCTION 2:

#### Required tool:



4mm Hex  
Wrench **x1**

Adjusting screw **B** can adjust mirror forward and backward by 230°.



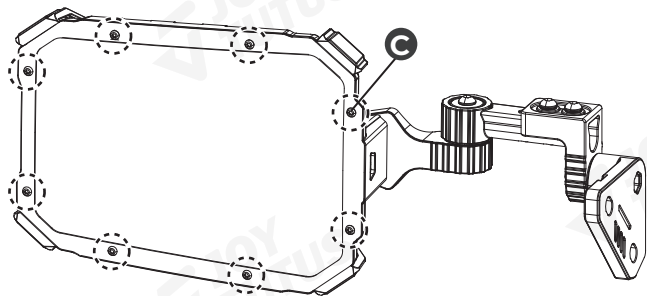
### FUNCTION 3:

#### Required tool:



2mm Hex  
Wrench **x1**

Unscrew the screw **C** to replace the mirror surface.



### FUNCTION 4:

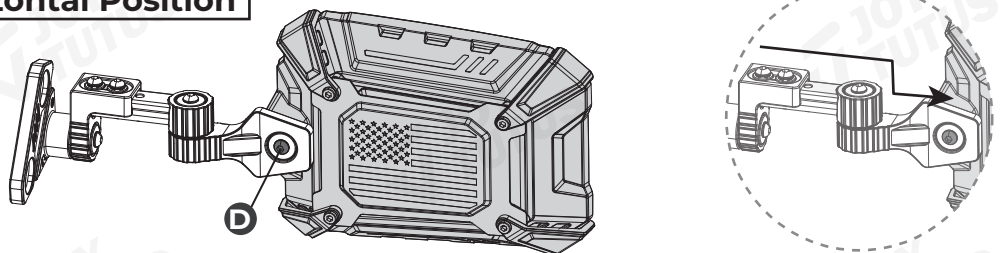
#### Required tool:



4mm Hex  
Wrench **x1**

Remove screw **D** to adjust the rearview mirror to your desired position, and then tighten screw **D**.

#### Horizontal Position



#### Vertical Position

**NOTE:** If the mirror needs to be installed upright (with the top facing upward), swap the left and right sides — that is, install the left mirror on the right side of the vehicle and the right mirror on the left side of the vehicle.

