

IMPORTANT

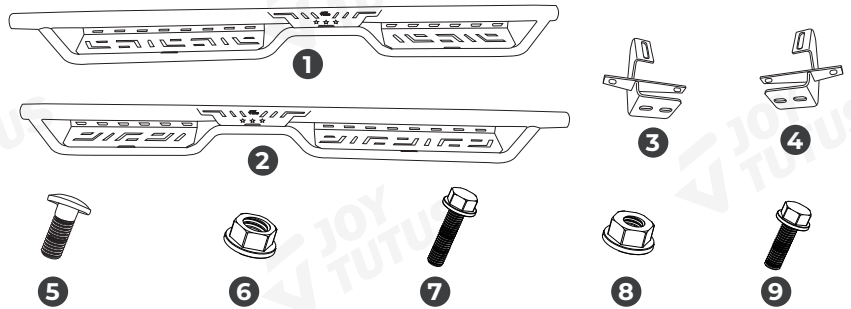
Before installation, please make sure that all accessories are ready.
(As shown in the picture below).

Installation Video



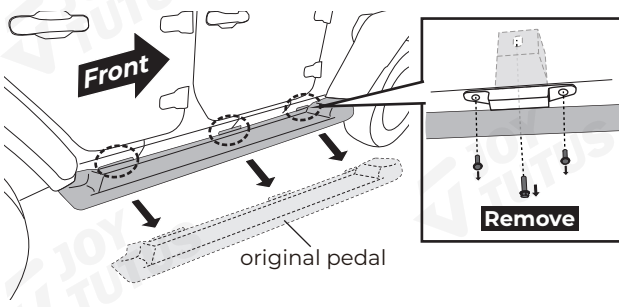
PRODUCT INFORMATION

- | | |
|--------------------------------------|------|
| 1 Pedal-driver side | x 1 |
| 2 Pedal-passenger side | x 1 |
| 3 Connector-driver side | x 3 |
| 4 Connector-passenger side | x 3 |
| 5 M10*25 round head square neck bolt | x 12 |
| 6 M10 flanged serrated nut | x 12 |
| 7 M8*30 hexagon flange bolt | x 6 |
| 8 M8 hexagon flange nut | x 12 |
| 9 M8*25 hexagon flange bolt | x 12 |

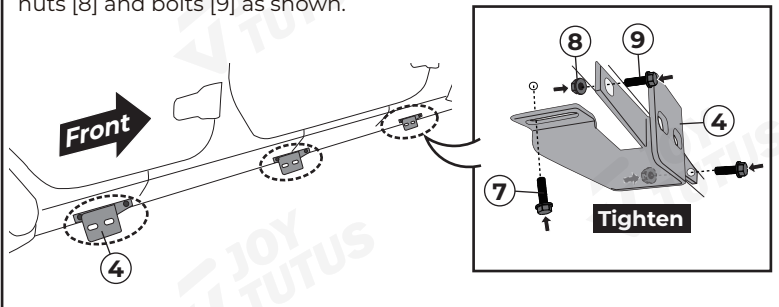


INSTALLATION TIPS

STEP 1: Remove the original pedal.

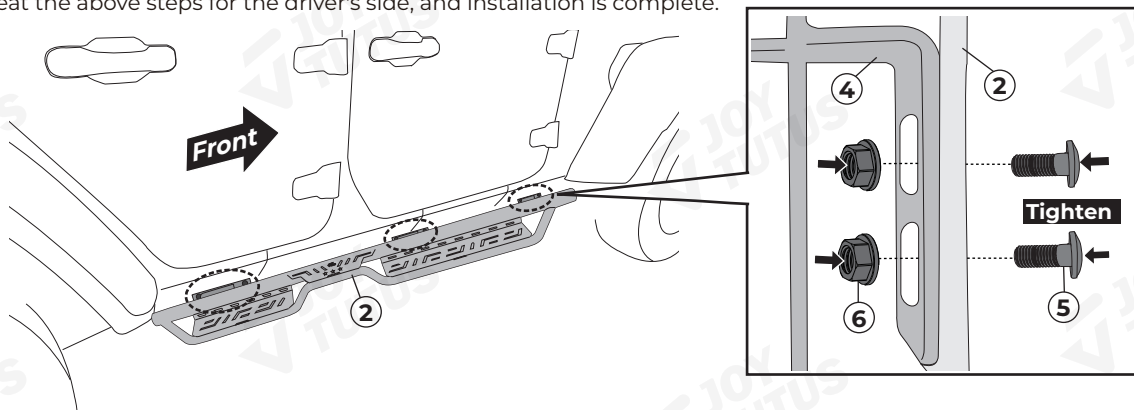


STEP 2: Secure three connectors [4] to the vehicle with bolts [7], nuts [8] and bolts [9] as shown.



STEP 3: Secure the pedal [2] and three connectors [4] with bolts [5] and nuts [6] as shown.

STEP 4: Repeat the above steps for the driver's side, and installation is complete.



Customer Support



Contact us by email: service@joytutus.com

JOYTUTUS help center:
<http://support.joytutus.com>

