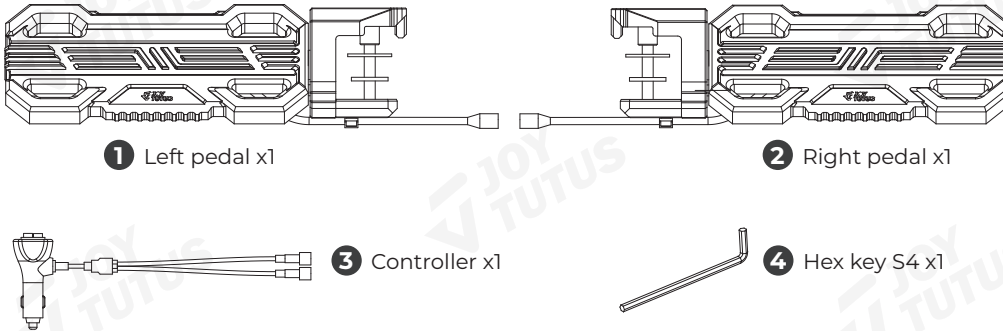


### IMPORTANT

Before installation, please make sure that all accessories are ready.  
(As shown in the picture below).

### PRODUCT INFORMATION



### CUSTOMER SUPPORT



Contact us by email:  
service@joytutus.com

JOYTUTUS help center:

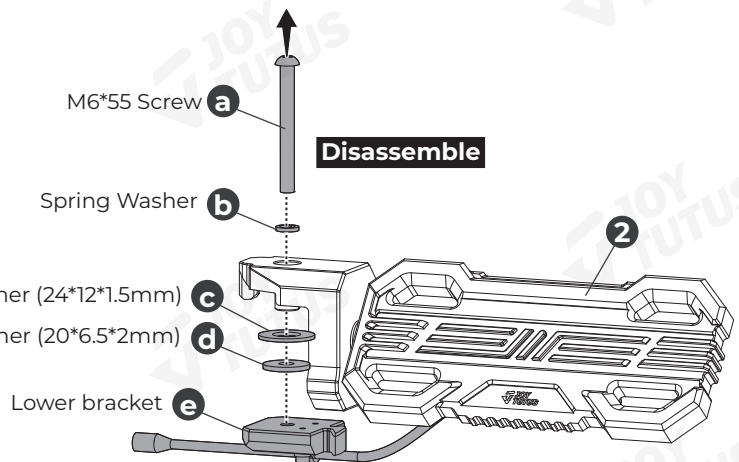
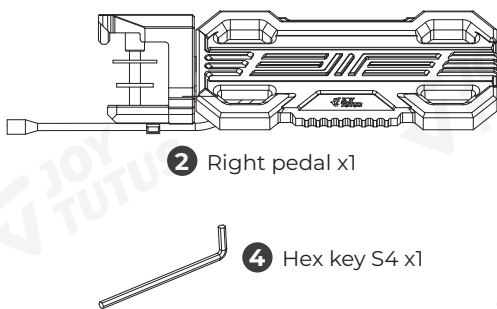


<http://support.joytutus.com>

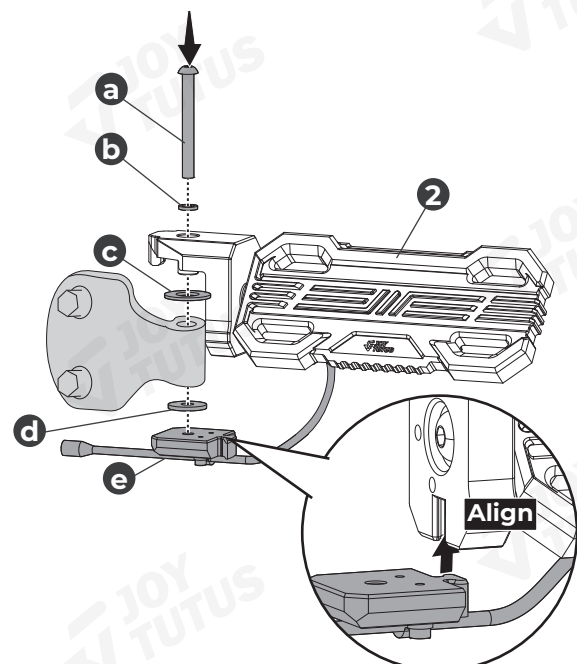
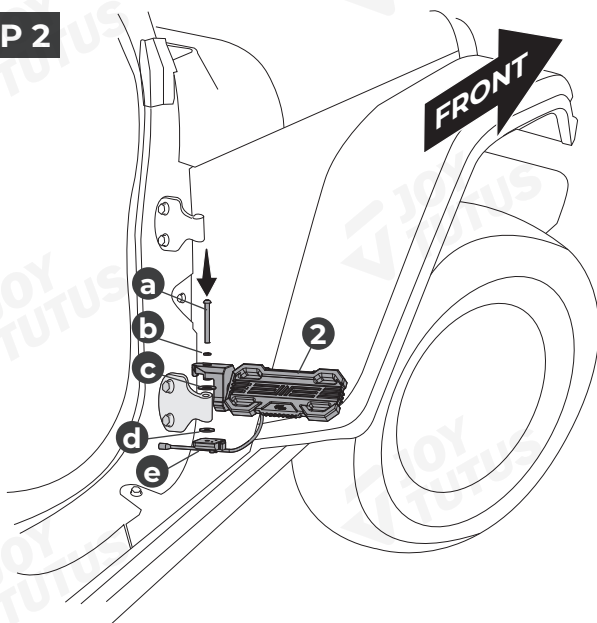
### INSTALLATION TIPS

#### STEP 1

##### Required accessories:



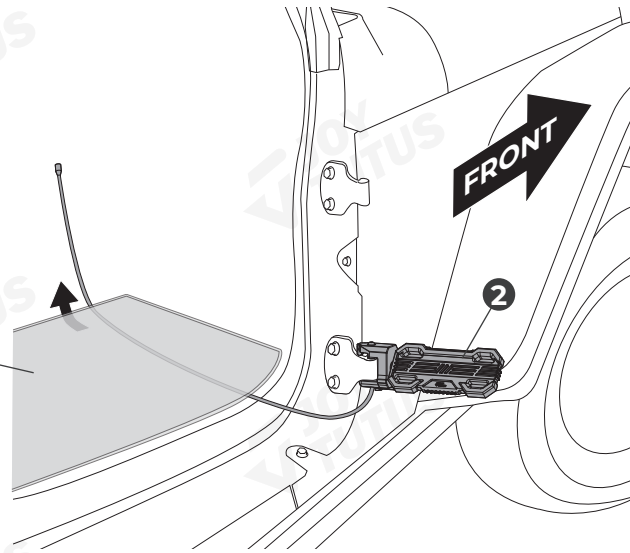
#### STEP 2



### STEP 3

Original vehicle foot mat

Excess wiring harness can also be hidden under the foot mat.

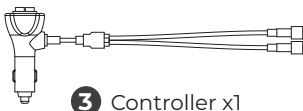


### STEP 4

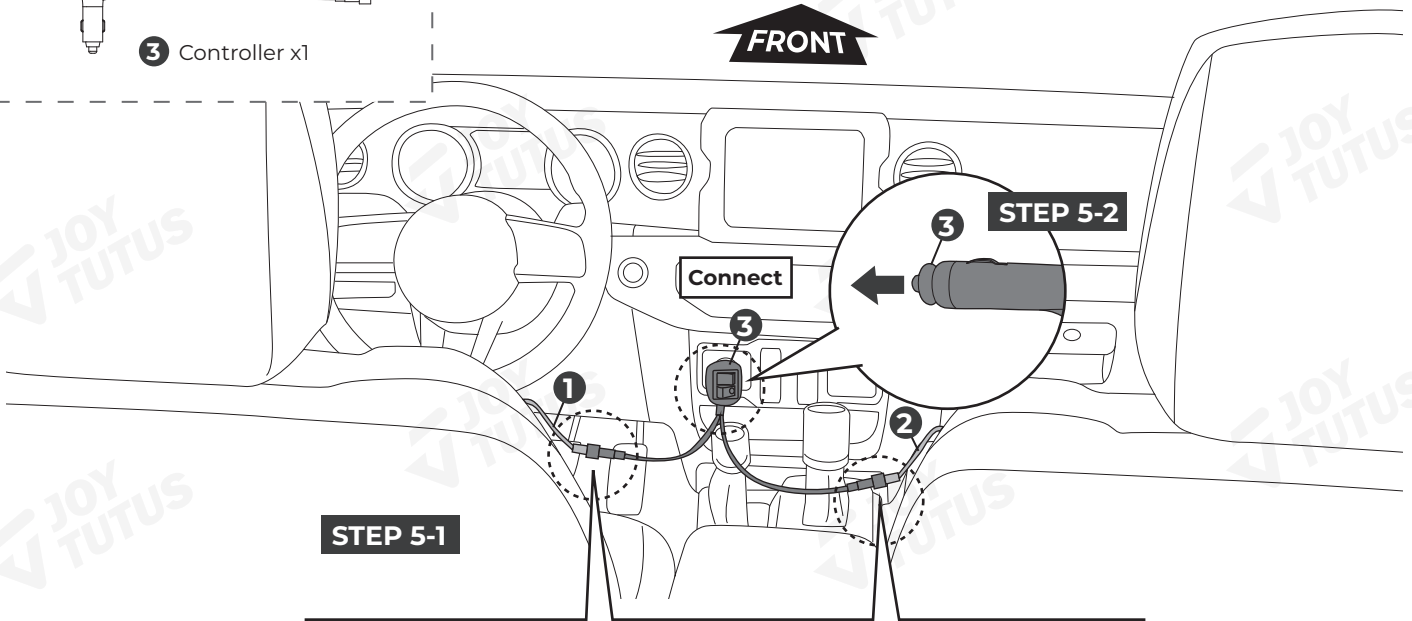
Install the other side pedal [1] according to **STEP 1 - STEP 3**.

### STEP 5

Required accessories:



FRONT



STEP 5-1

