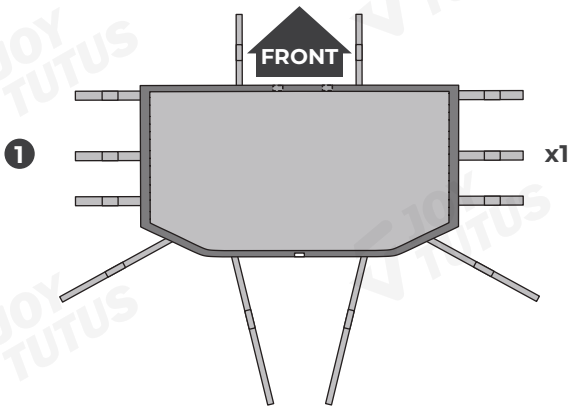


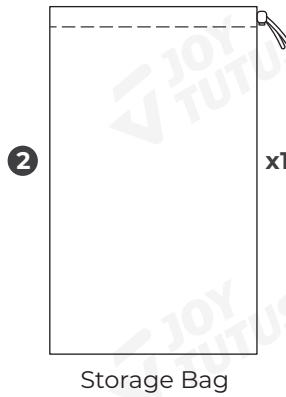
### ✓ IMPORTANT

Before installation, please make sure that all accessories are ready.  
(As shown in the picture below)

### ✓ PRODUCT INFORMATION



Front Roof Net



Storage Bag

### CUSTOMER SUPPORT

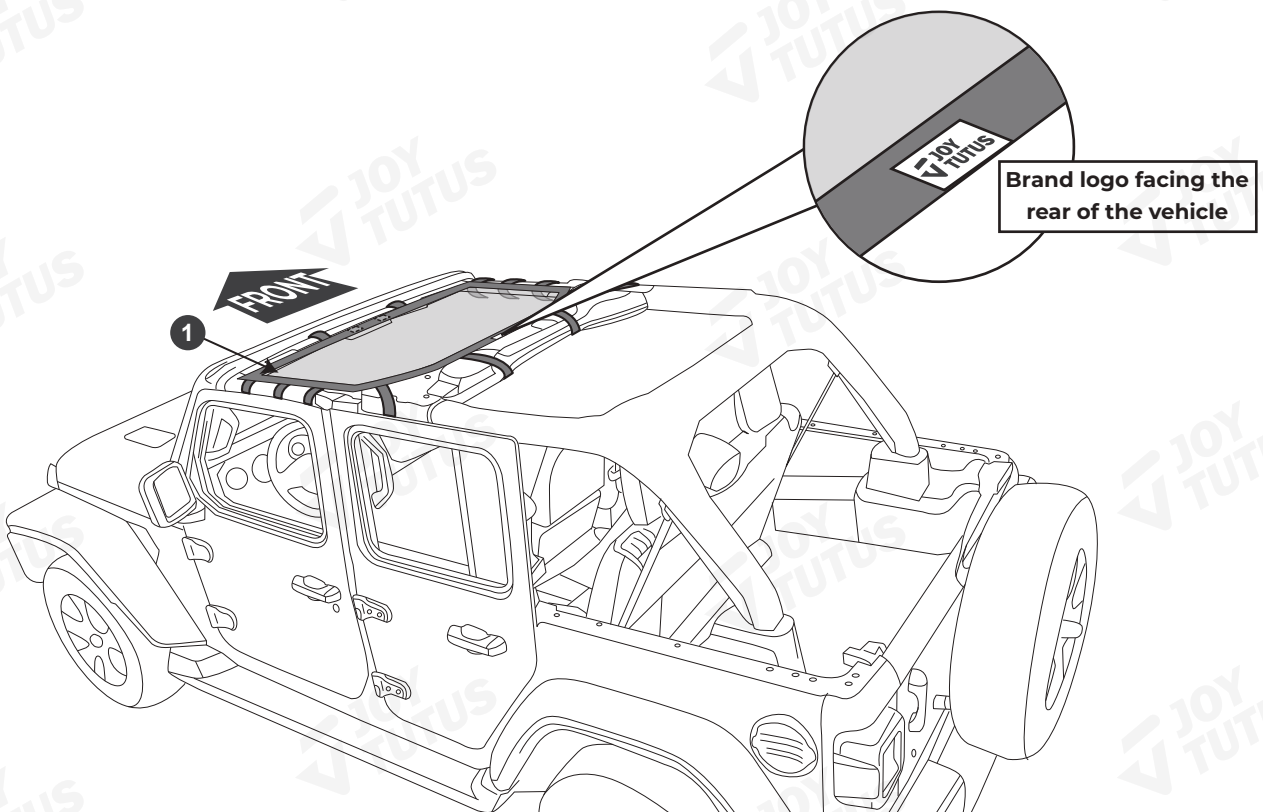
✉ Contact us by email:  
service@joytutus.com

JOYTUTUS help center:



<http://support.joytutus.com>

### ✓ INSTALLATION COMPLETION DIAGRAM



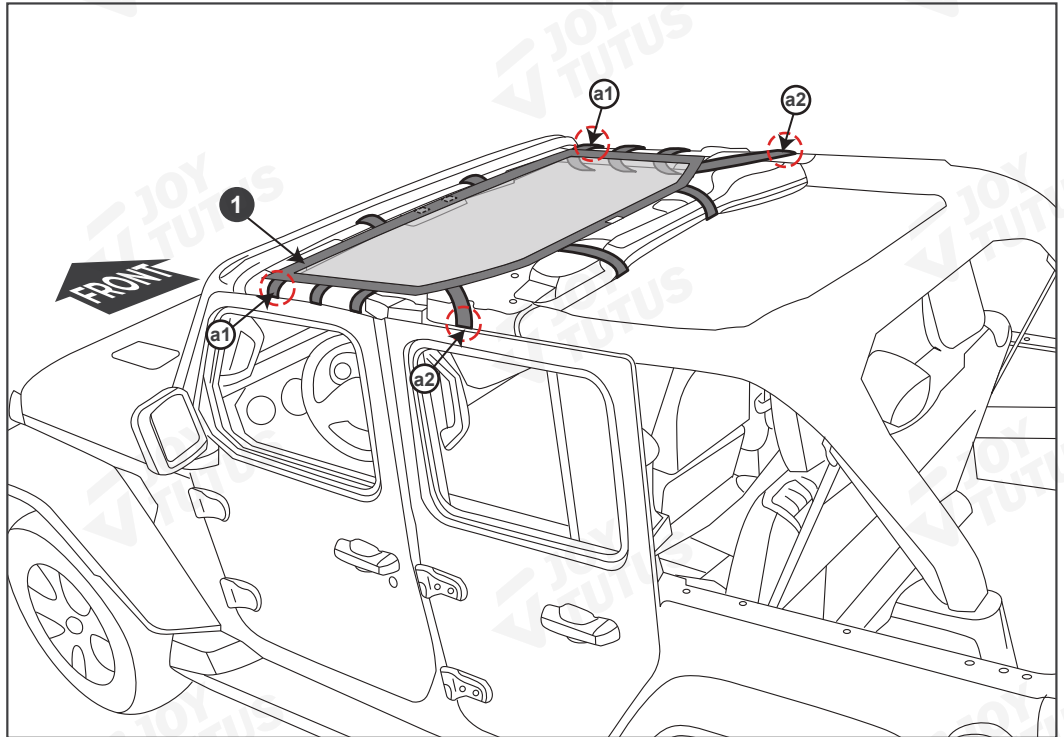
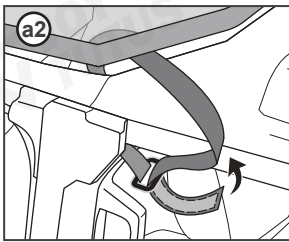
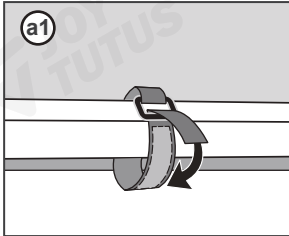
## INSTALLATION METHOD

- Note:** 1. Before installation, ensure that the vehicle's roof has been removed.  
2. When securing the strap, press the Velcro after attaching it to reinforce the bond.

### FRONT ROOF NET INSTALLATION

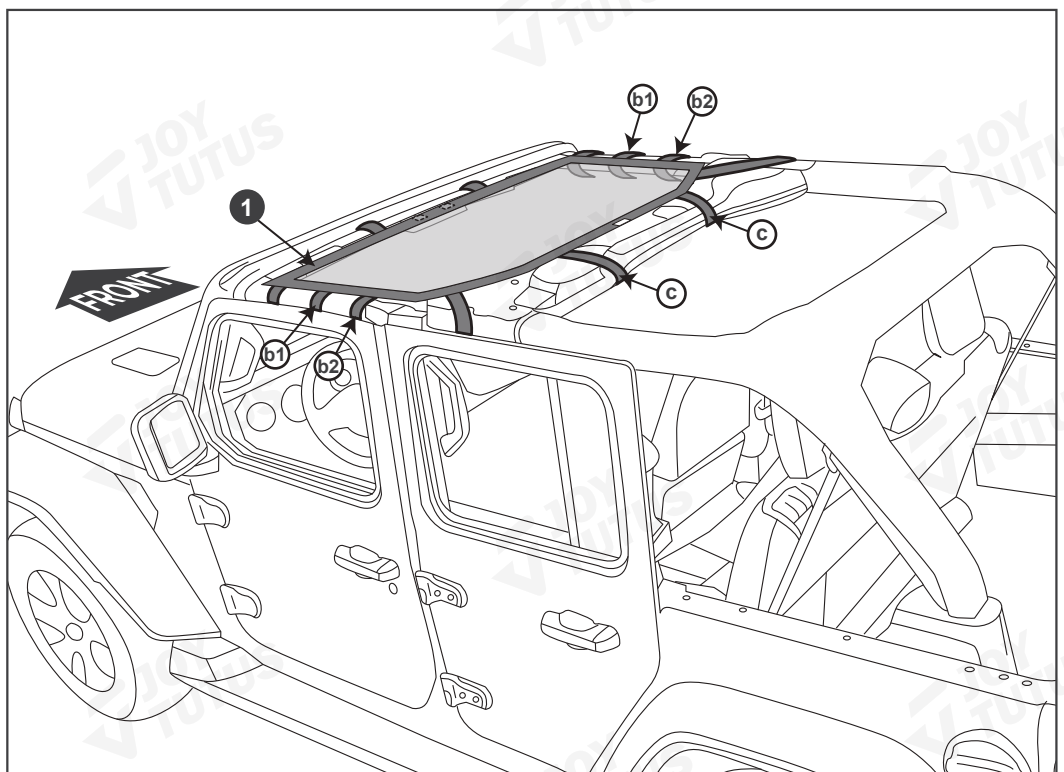
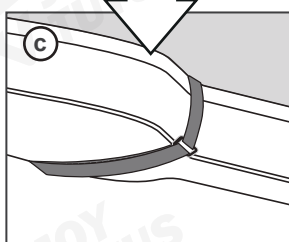
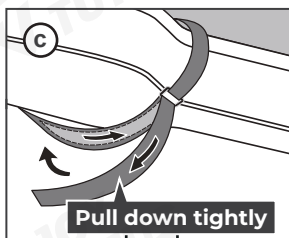
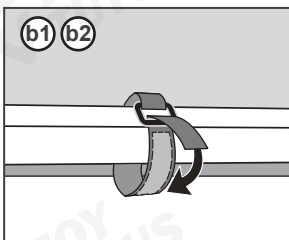
#### STEP 1:

First, fix the (a1) of [1] to the frontmost part of the headframe, then pull (a2) taut towards the rear and secure them. (Ensuring overall alignment is not skewed).



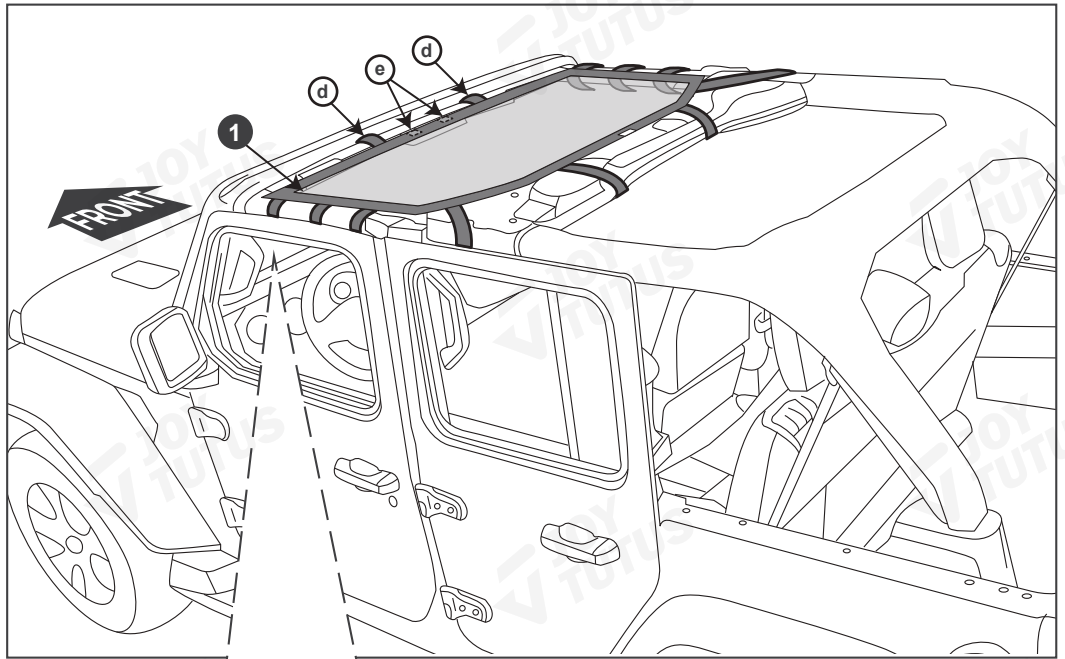
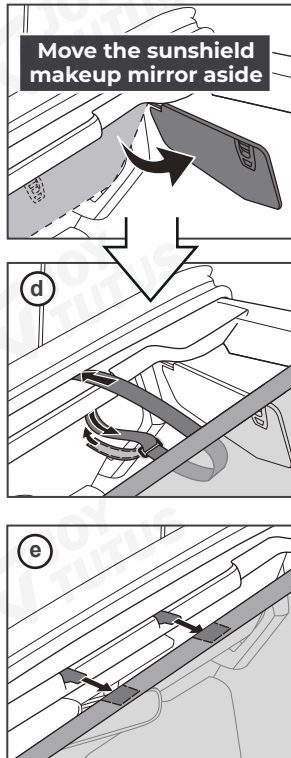
#### STEP 2:

Secure (b1) (b2) and (c). (Note: If the vehicle is equipped with side curtain airbags, do not fasten (b1).)



**STEP 3:**

3-1: Detach the two sun visor vanity mirrors on the front of the car halfway and move them aside, then secure (d) .  
3-2: Fasten (e) in the indicated position.



**Note:** If (d) cannot be passed through, it is necessary to remove the left and right bolts on the windshield, gently push the glass forward, smoothly pass (d) through, and then tighten the screws.

