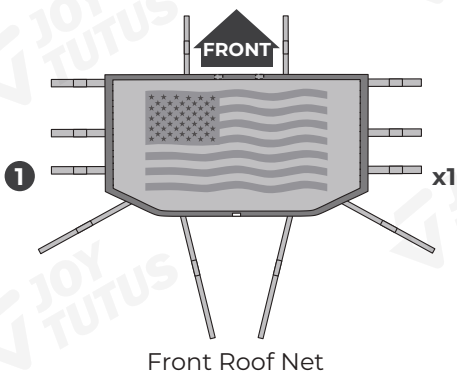


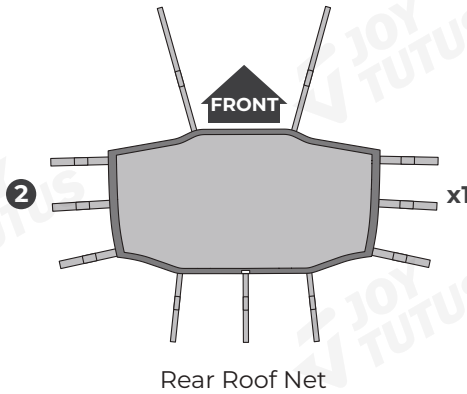
### ✓ IMPORTANT

Before installation, please make sure that all accessories are ready.  
(As shown in the picture below)

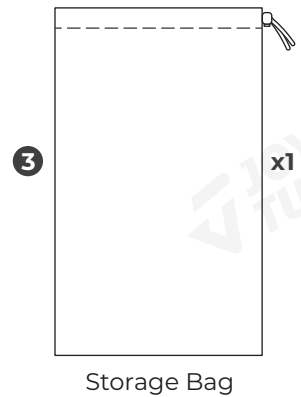
### ✓ PRODUCT INFORMATION



Front Roof Net

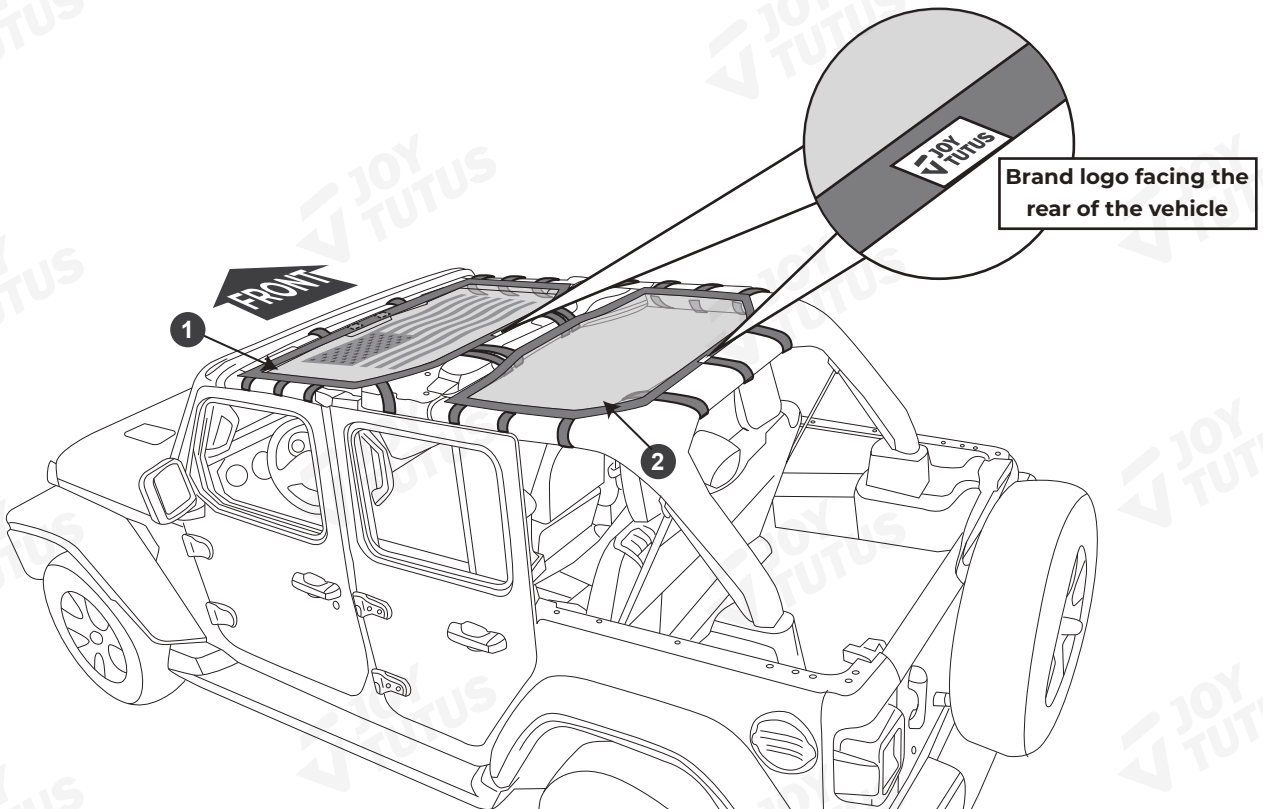


Rear Roof Net



Storage Bag

### ✓ INSTALLATION COMPLETION DIAGRAM



#### CUSTOMER SUPPORT

Contact us by email:  
service@joytutus.com

JOYTUTUS help center:



<http://support.joytutus.com>

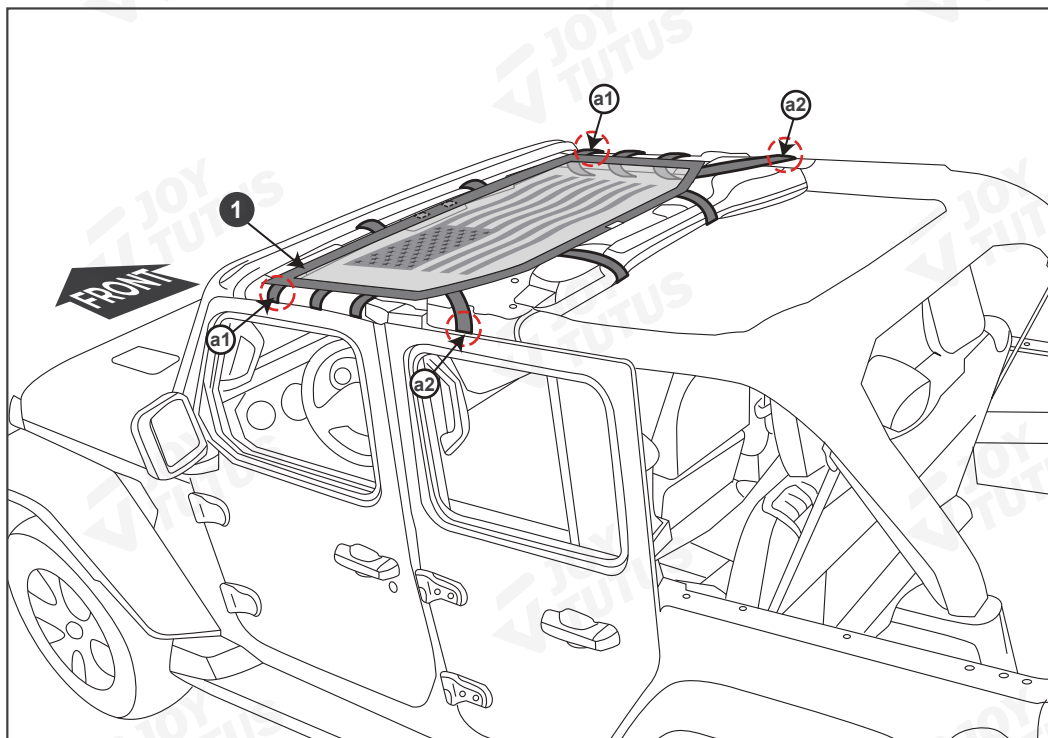
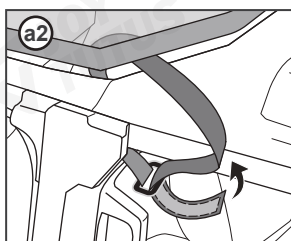
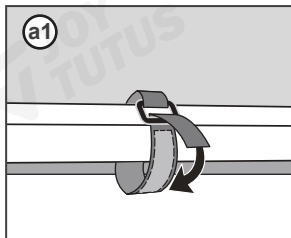
## INSTALLATION METHOD

- Note:** 1. Before installation, ensure that the vehicle's roof has been removed.  
2. When securing the strap, press the Velcro after attaching it to reinforce the bond.

### FRONT ROOF NET INSTALLATION

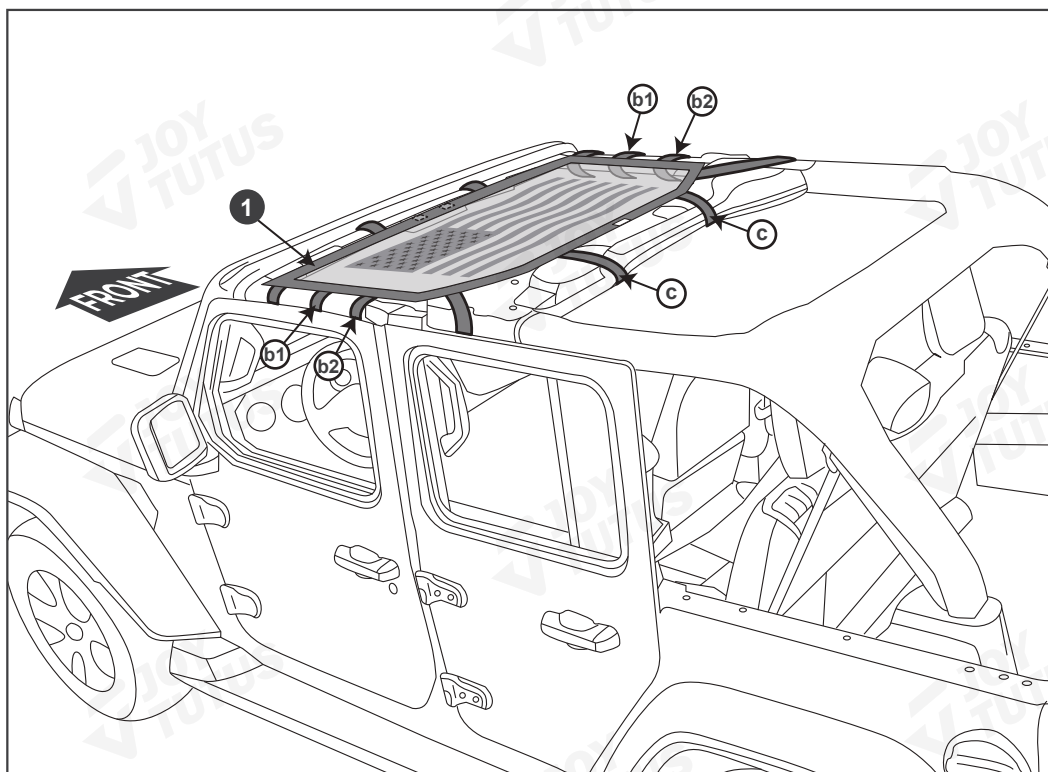
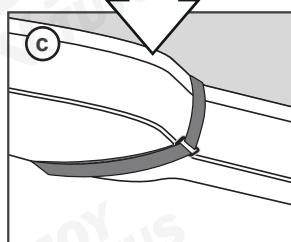
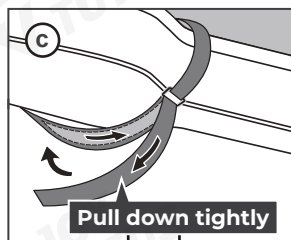
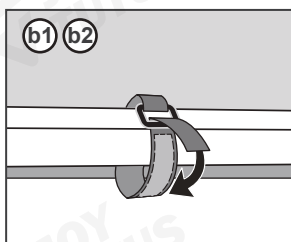
#### STEP 1:

First, fix the (a1) of [1] to the frontmost part of the headframe, then pull (a2) taut towards the rear and secure them. (Ensuring overall alignment is not skewed).



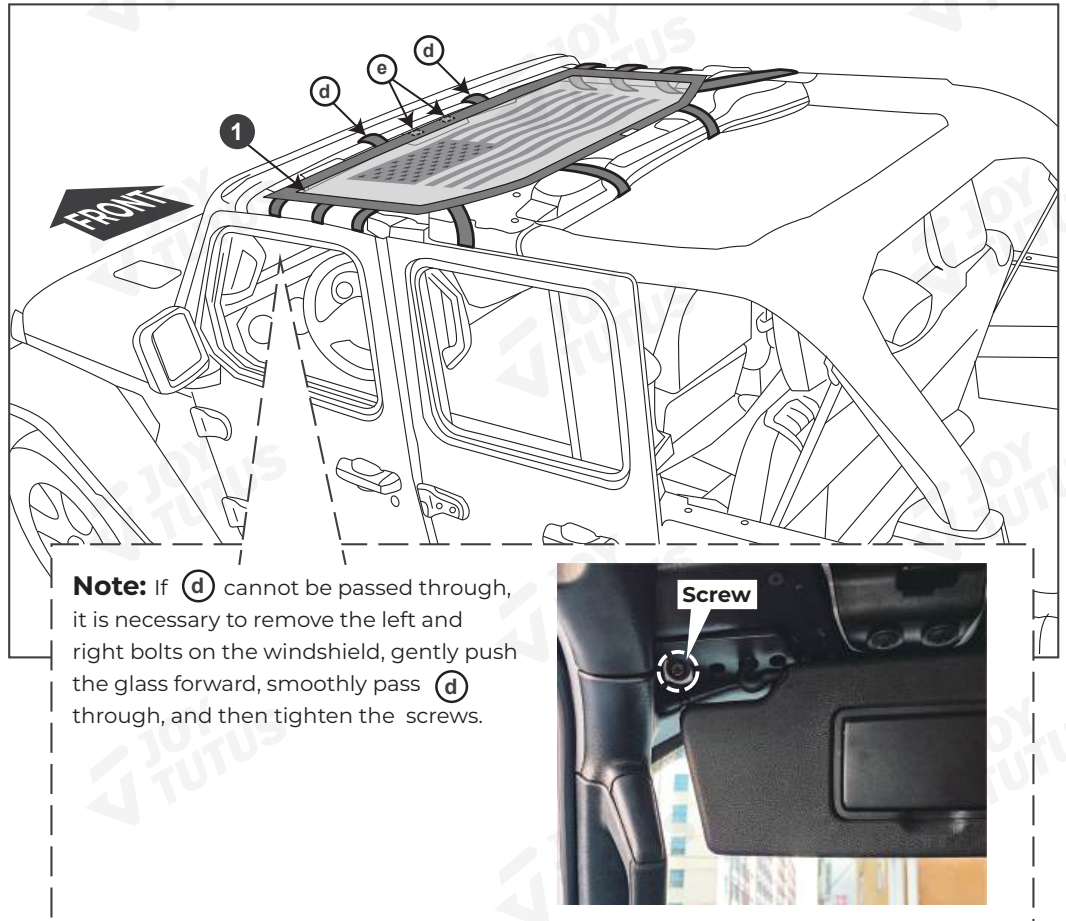
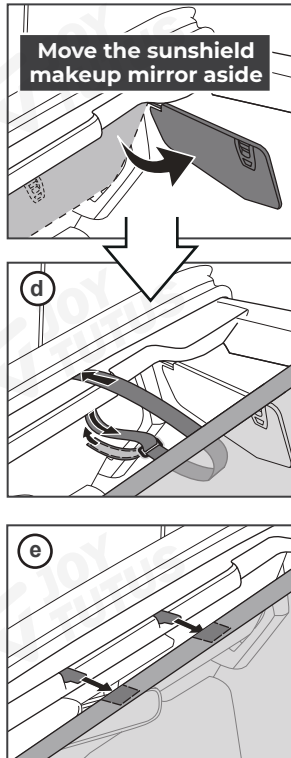
#### STEP 2:

Secure (b1) (b2) and (c). (Note: If the vehicle is equipped with side curtain airbags, do not fasten (b1).)

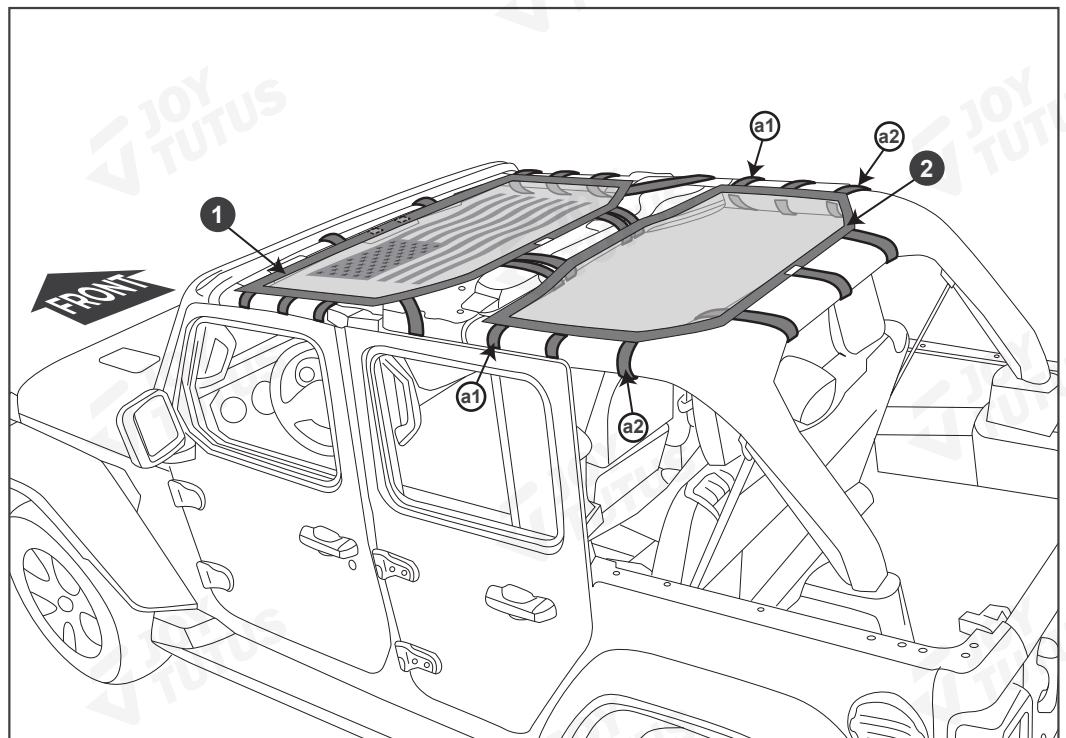
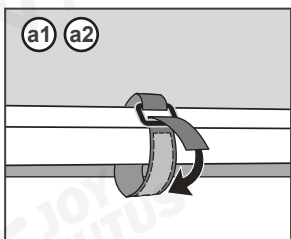


**STEP 3:**

3-1: Detach the two sun visor vanity mirrors on the front of the car halfway and move them aside, then secure (d) .  
3-2: Fasten (e) in the indicated position.

**REAR ROOF NET INSTALLATION****STEP 1:**

First, fix the (a1) of [1] to the frontmost part of the headframe, then pull (a2) taut towards the rear and secure them. (Ensuring overall alignment is not skewed).



**STEP 2:**

Secure (b) (c) and (d). (Note: If the vehicle is equipped with side curtain airbags, do not fasten (b).)

