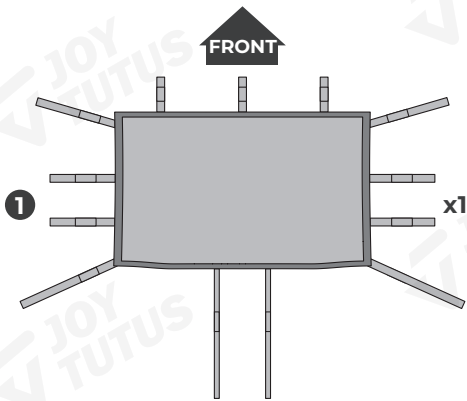


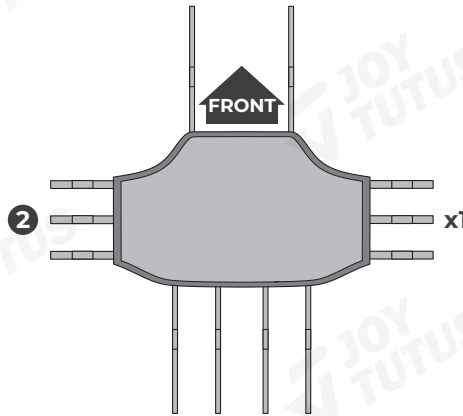
IMPORTANT

Before installation, please make sure that all accessories are ready.
(As shown in the picture below)

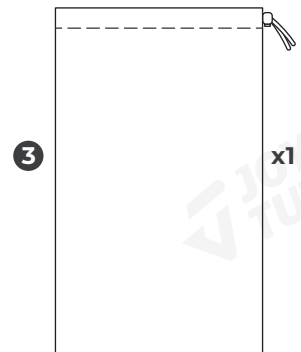
PRODUCT INFORMATION



Front Roof Net



Rear Roof Net



Storage Bag

CUSTOMER SUPPORT

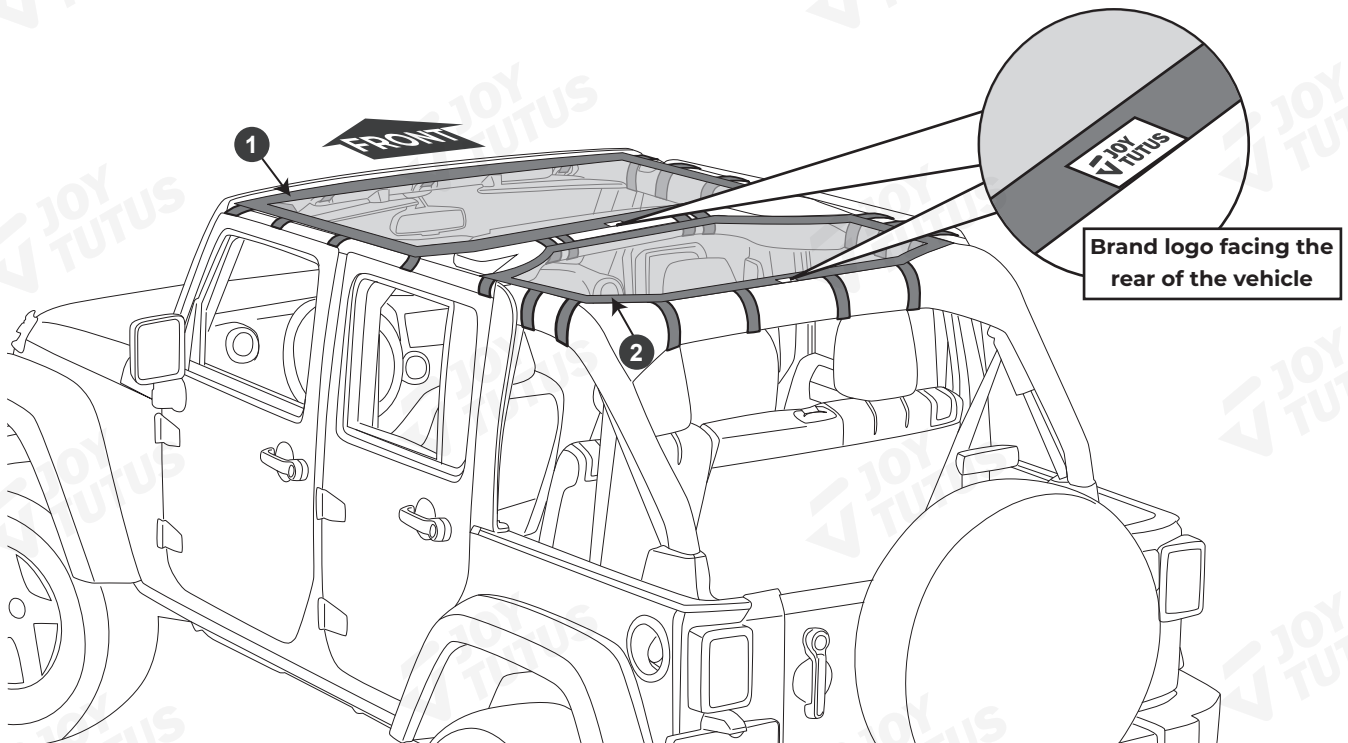
Contact us by email:
service@joytutus.com

JOYTUTUS help center:



<http://support.joytutus.com>

INSTALLATION COMPLETION DIAGRAM



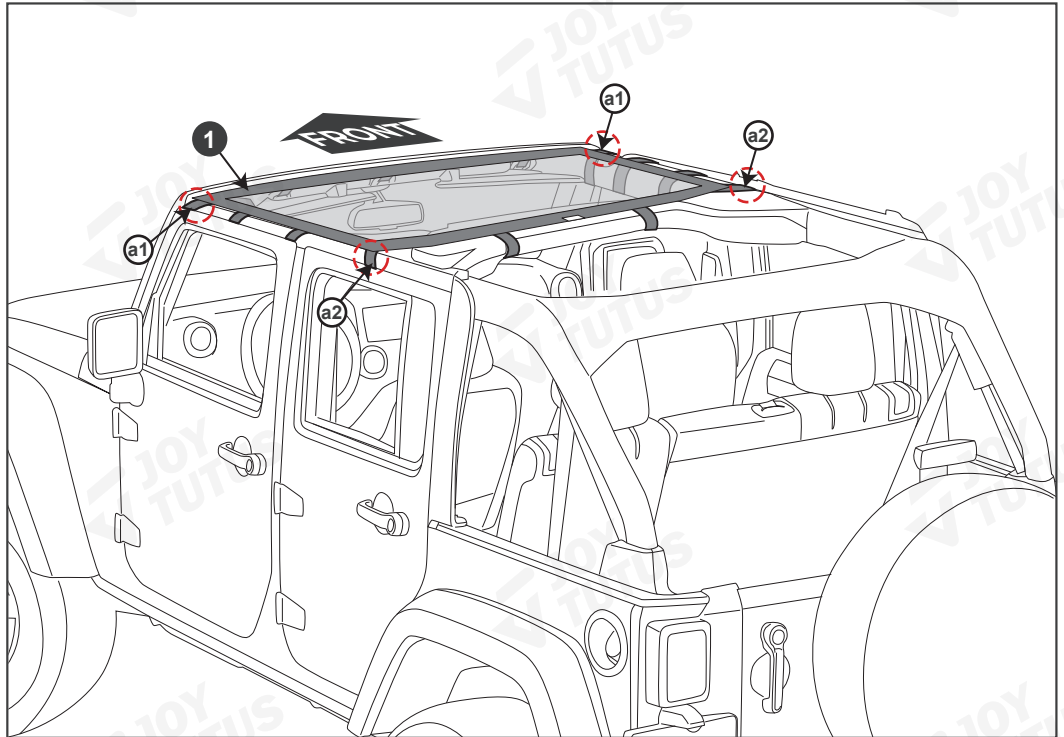
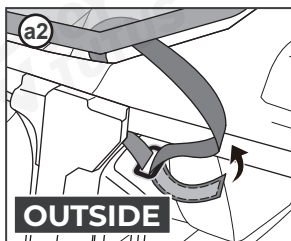
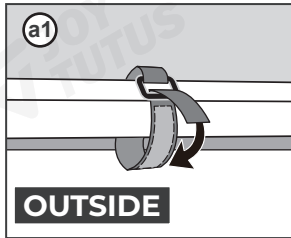
✓ INSTALLATION METHOD

- Note:** 1. Before installation, ensure that the vehicle's roof has been removed.
2. When securing the strap, press the Velcro after attaching it to reinforce the bond.

FRONT ROOF NET INSTALLATION

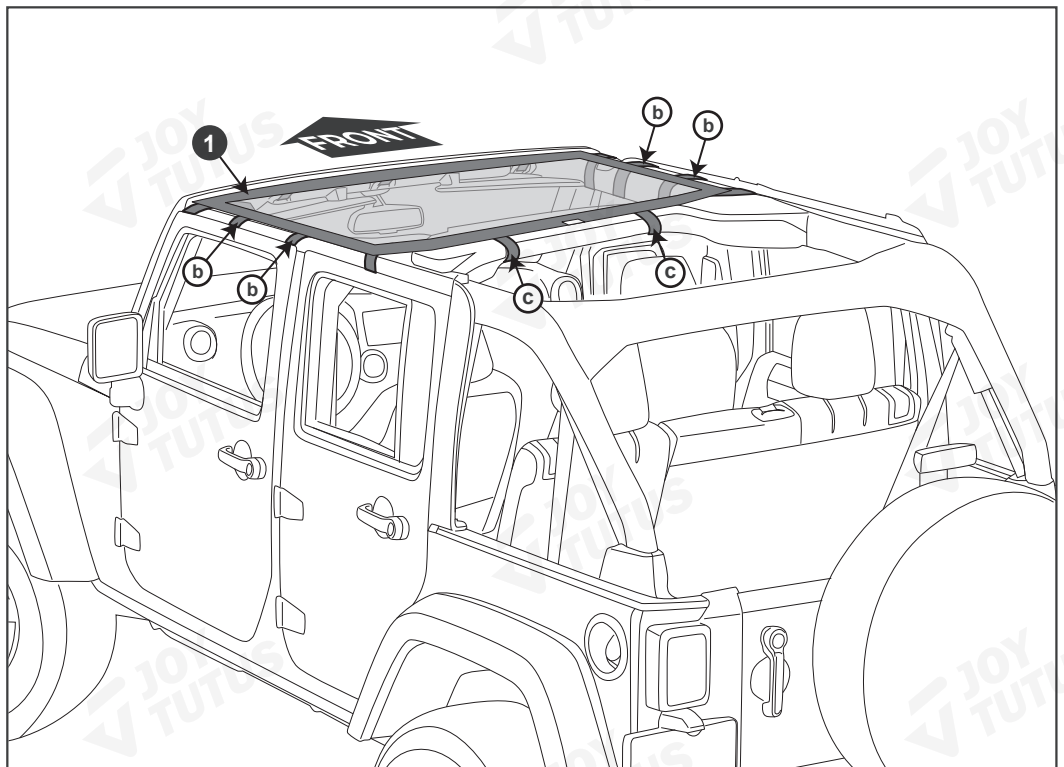
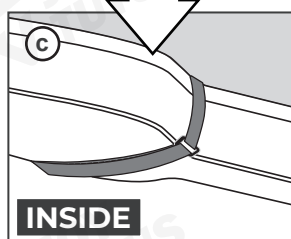
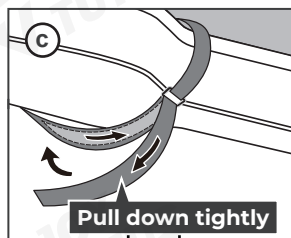
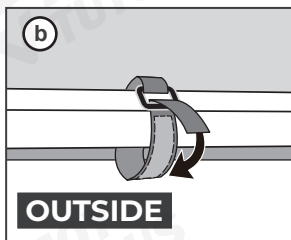
STEP 1:

First, fix the (a1) of [1] to the frontmost part of the headframe, then pull (a2) taut towards the rear and secure them. (Ensuring overall alignment is not skewed).

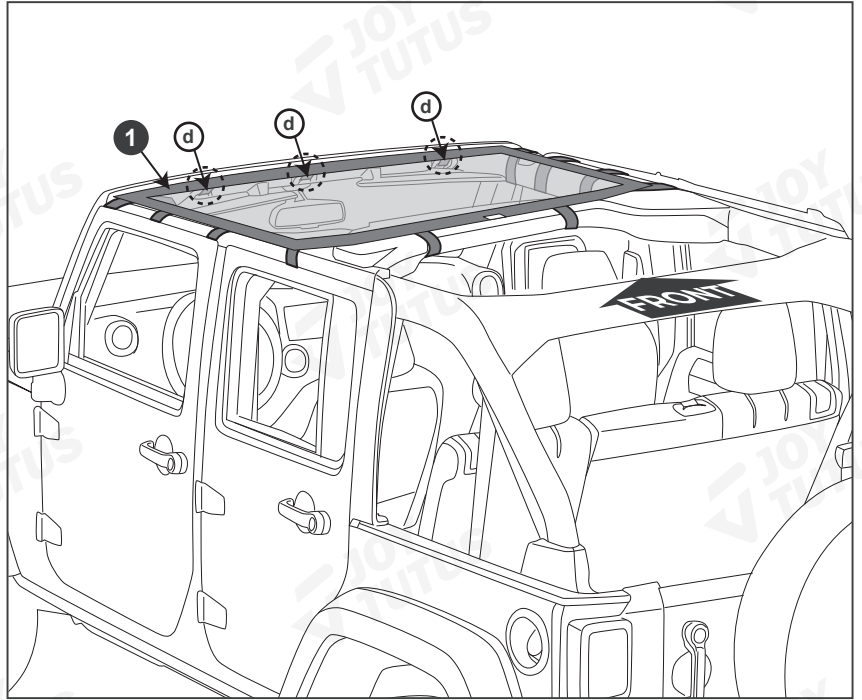
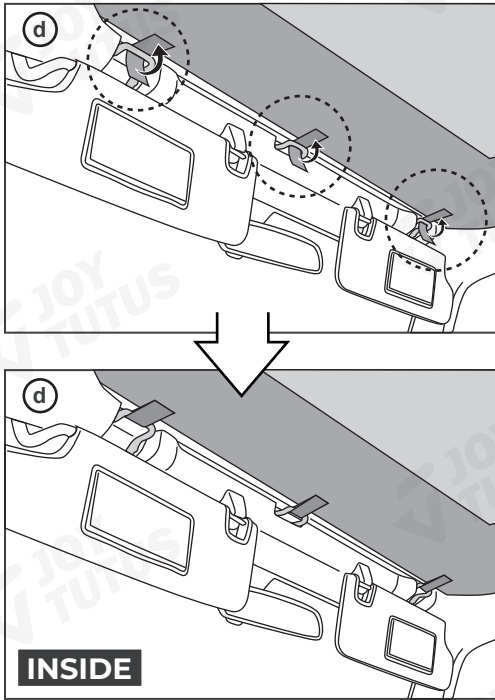


STEP 2:

Secure (b) and (c).

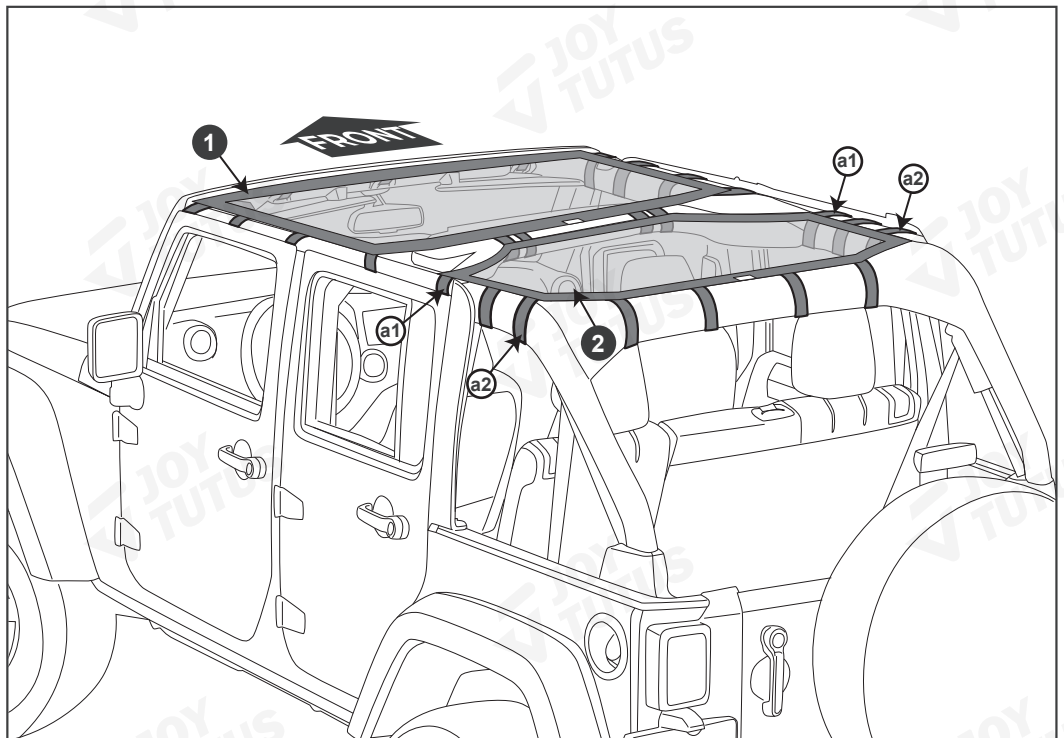
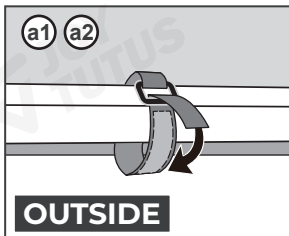


STEP 3: Secure (d).



REAR ROOF NET INSTALLATION

STEP 1: First, fix the (a1) of [1] to the frontmost part of the headframe, then pull (a2) taut towards the rear and secure them. (Ensuring overall alignment is not skewed).



STEP 2: Secure (b) (c) and (d).

