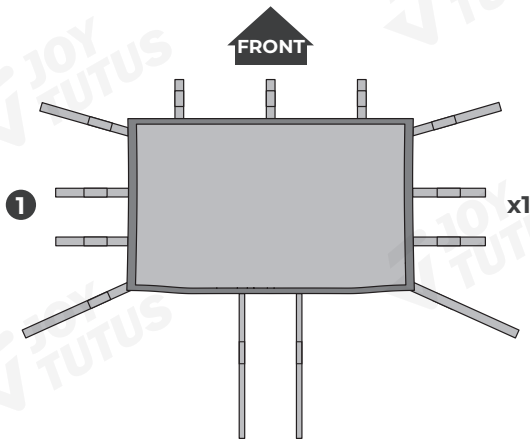


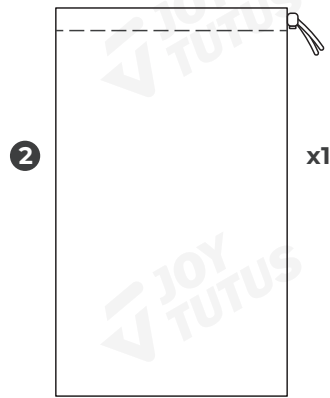
✓ IMPORTANT

Before installation, please make sure that all accessories are ready.
(As shown in the picture below)

✓ PRODUCT INFORMATION



Front Roof Net



Storage Bag

CUSTOMER SUPPORT

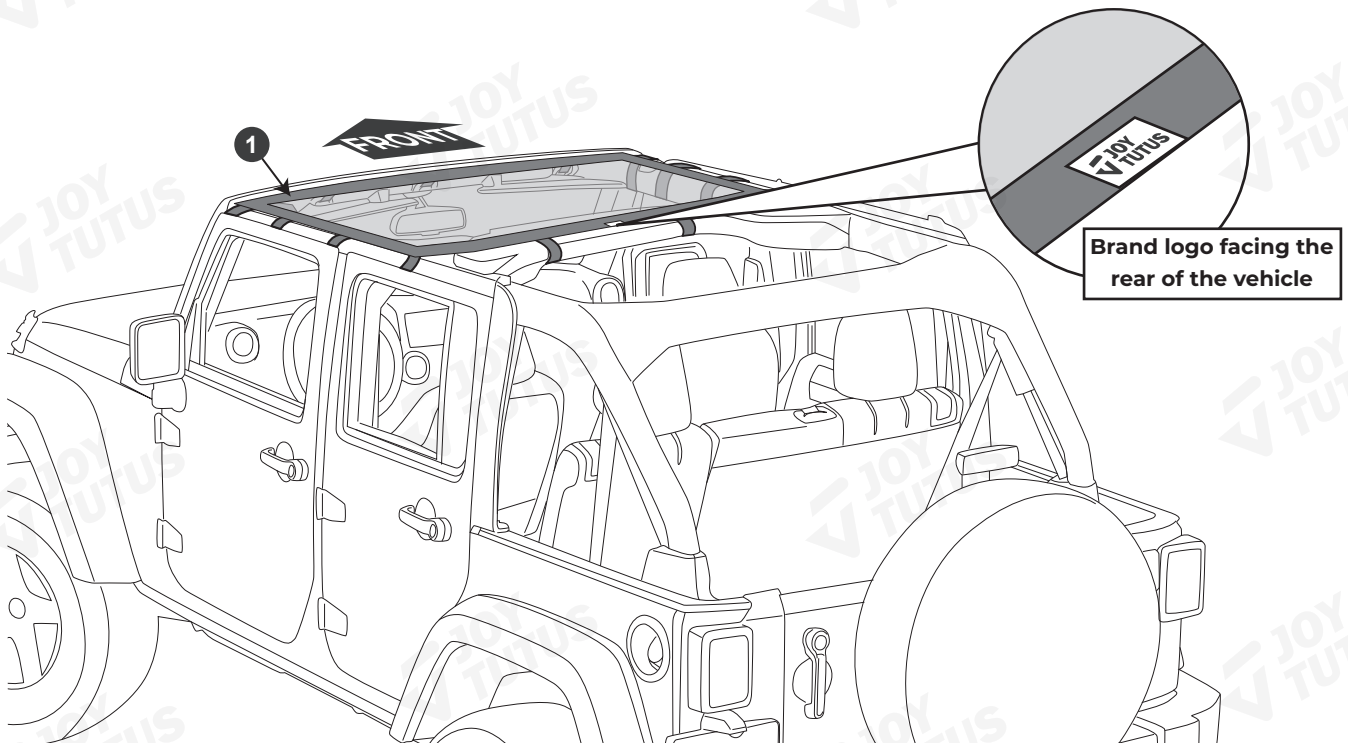
✉ Contact us by email:
service@joytutus.com

JOYTUTUS help center:



<http://support.joytutus.com>

✓ INSTALLATION COMPLETION DIAGRAM

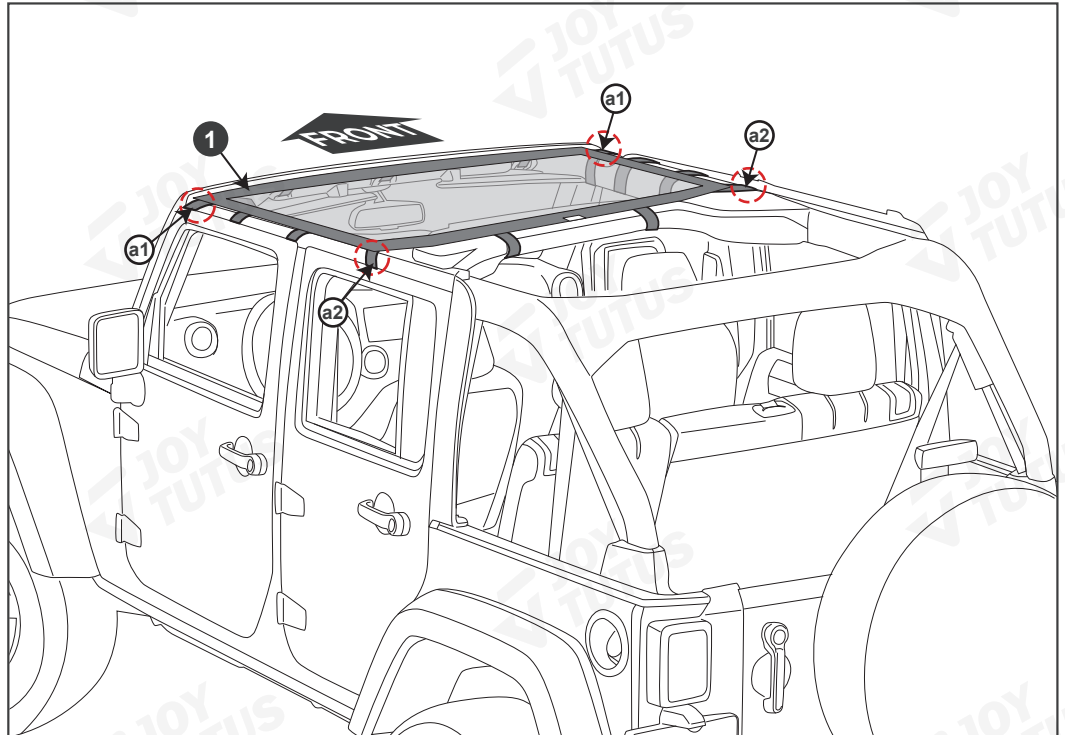
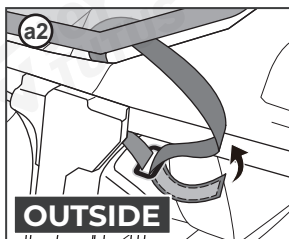
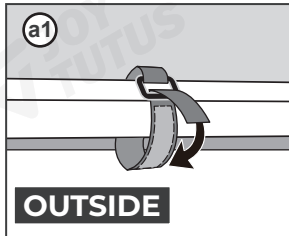


INSTALLATION METHOD

Note: 1. Before installation, ensure that the vehicle's roof has been removed.
2. When securing the strap, press the Velcro after attaching it to reinforce the bond.

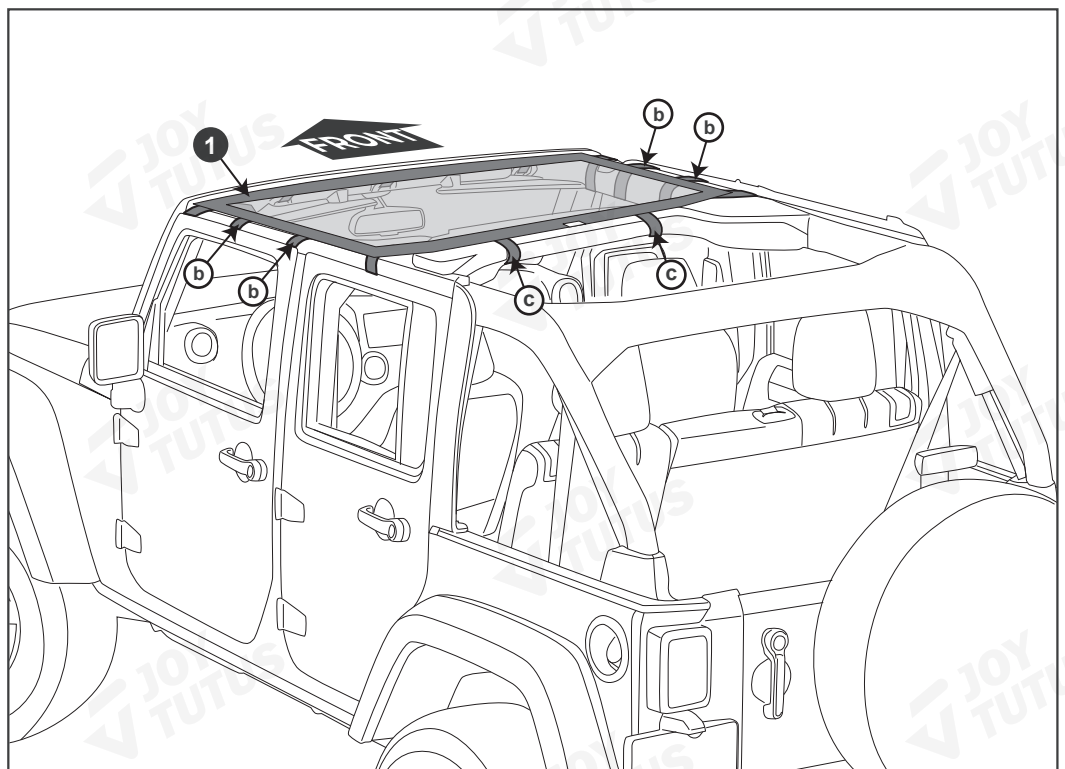
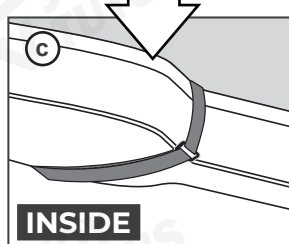
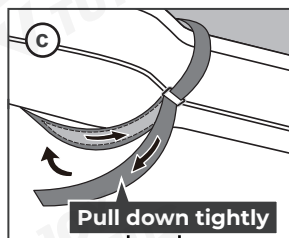
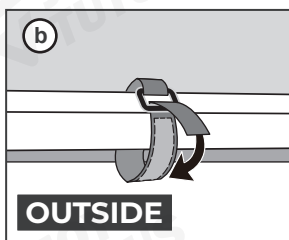
STEP 1:

First, fix the (a1) of [1] to the frontmost part of the headframe, then pull (a2) taut towards the rear and secure them. (Ensuring overall alignment is not skewed).



STEP 2:

Secure (b) and (c).



STEP 3: Secure (d).

