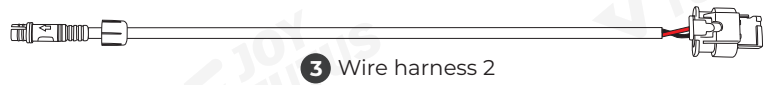
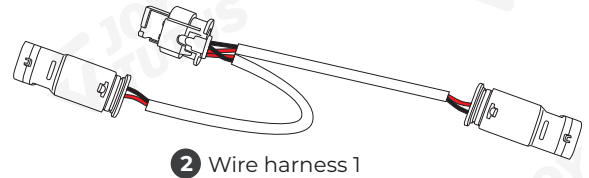
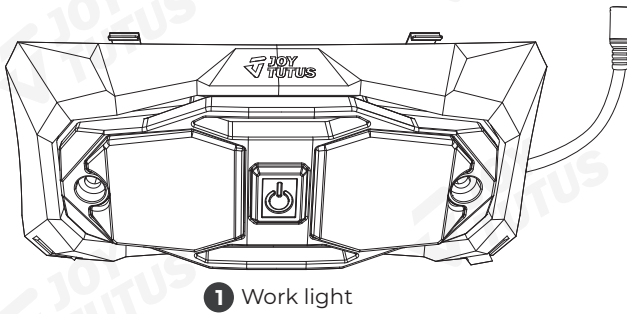


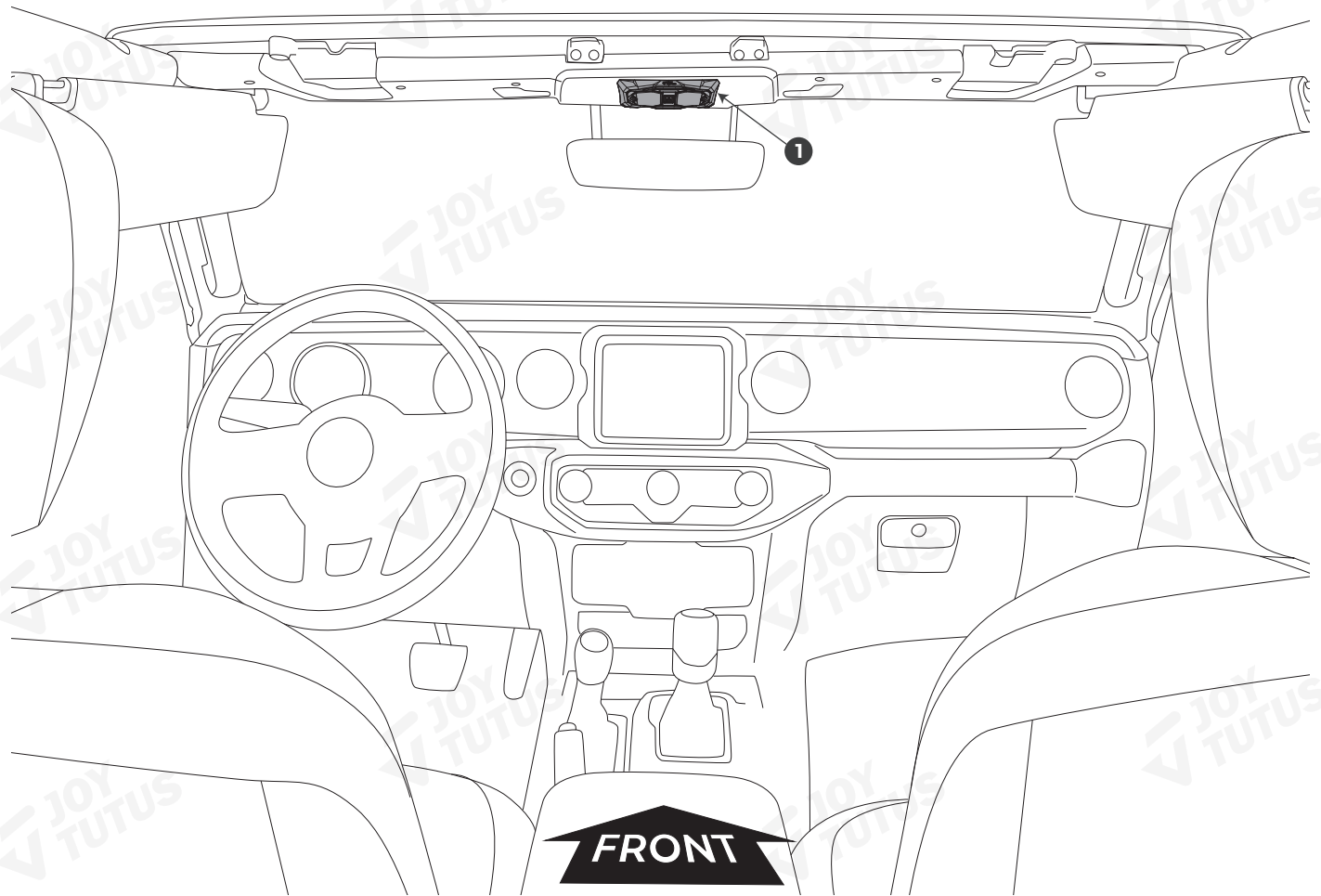
IMPORTANT

Before installation, please make sure that all accessories are ready. (As shown in the picture below).

PRODUCT INFORMATION



INSTALLATION COMPLETION DIAGRAM



Customer Support



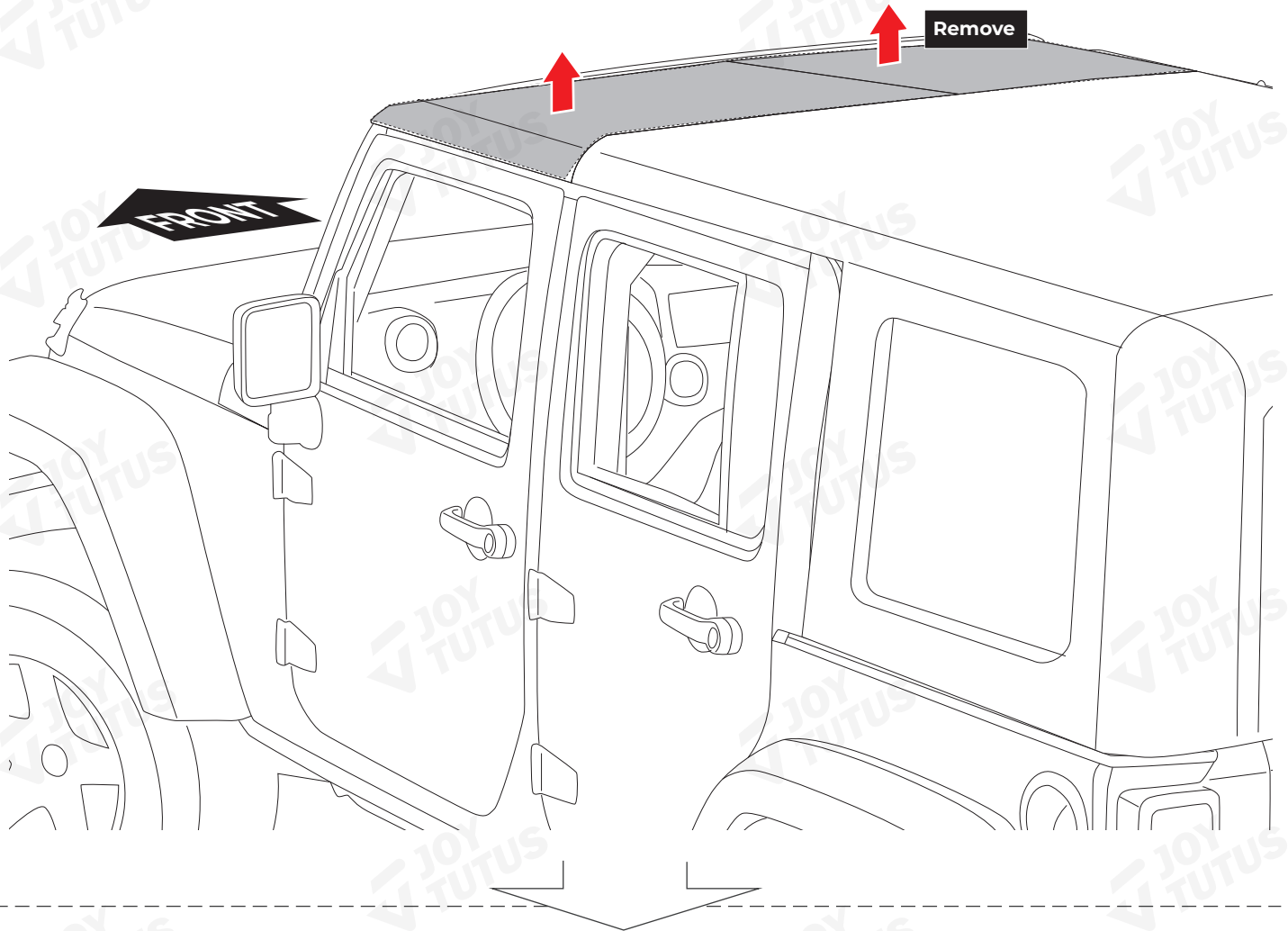
Contact us by email: service@joytutus.com

JOYTUTUS help center:
<http://support.joytutus.com>



✓ PREPARATION IN ADVANCE

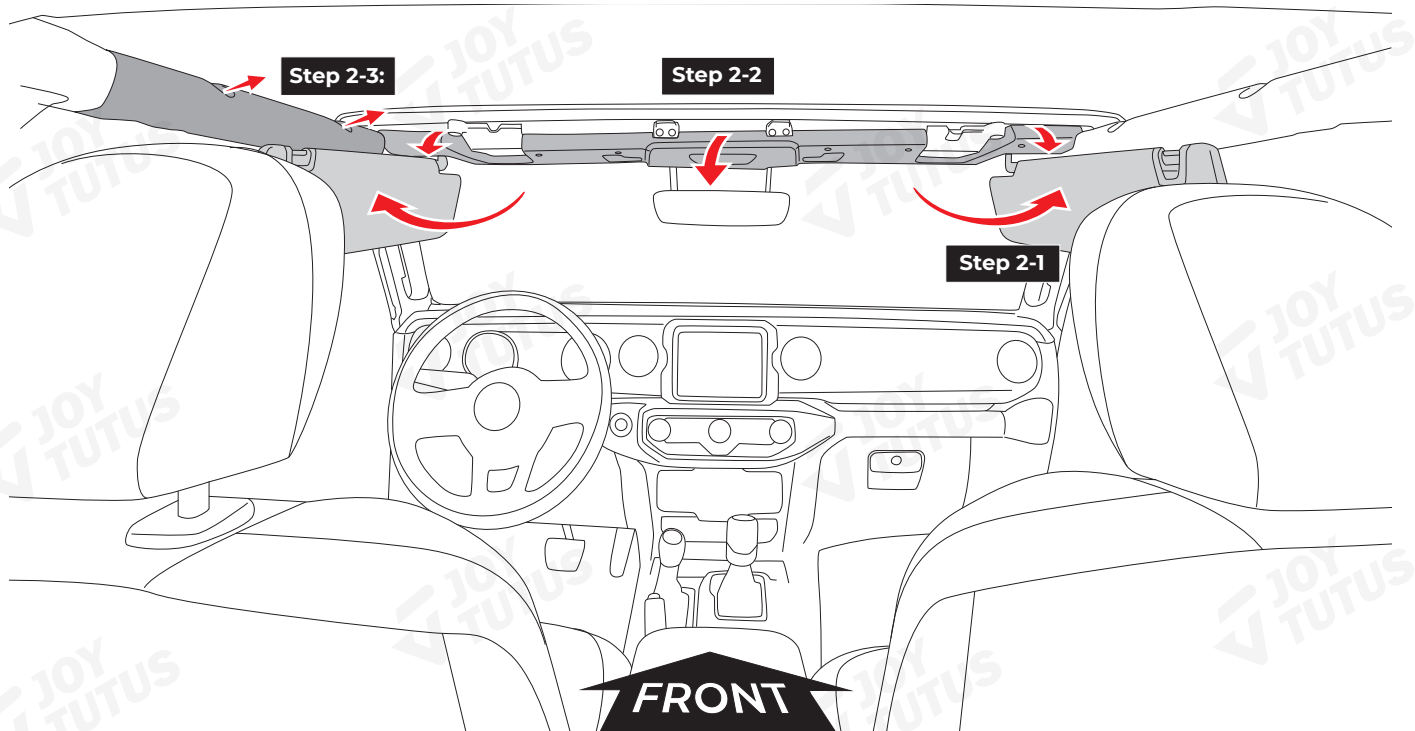
Step 1: Remove the original front roof panel



Step 2-1: Rotate the sun visor to the side

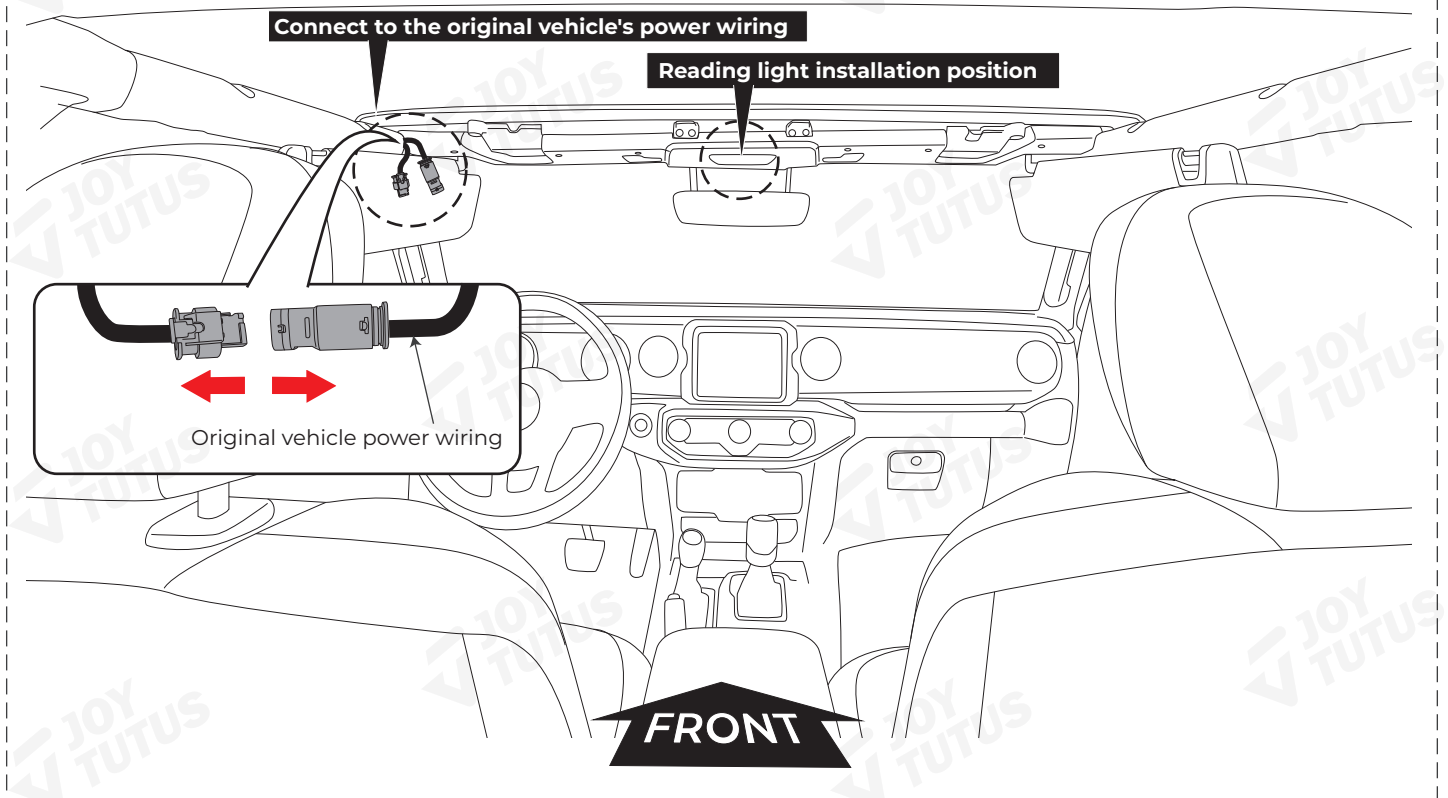
Step 2-2: Release the clips and loosen the front cover panel

Step 2-3: Unscrew the two screws shown in the diagram, loosen the side cover panel

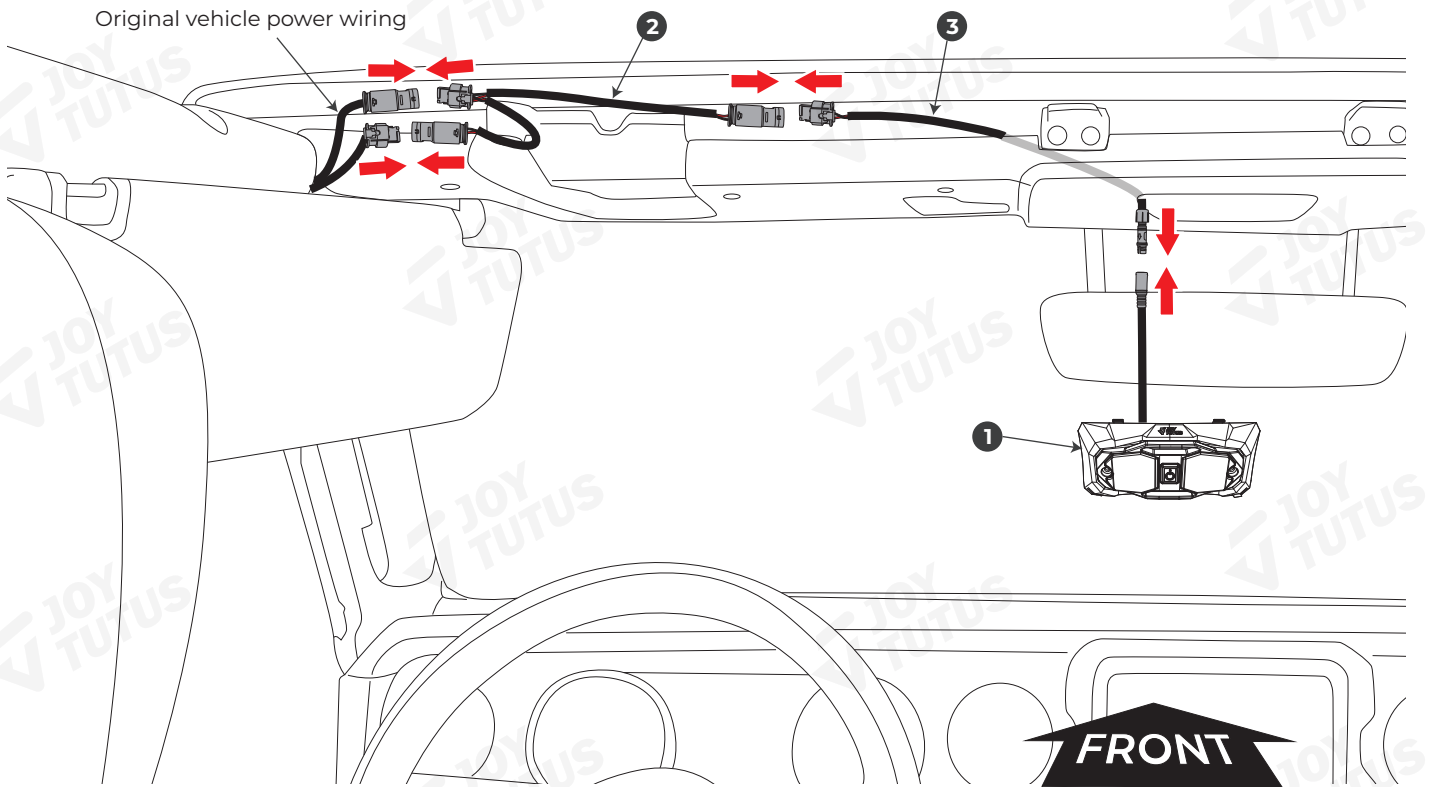


✓ INSTALLATION TIPS

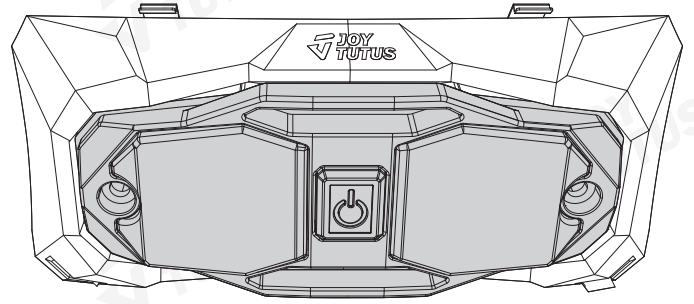
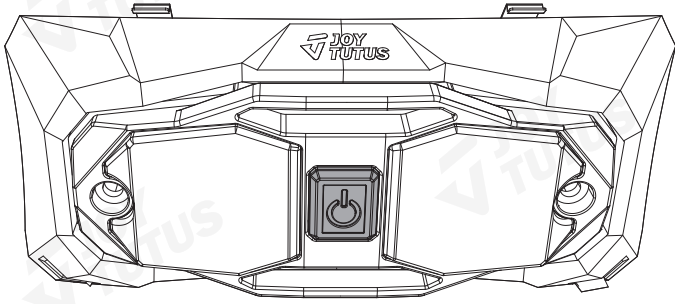
Installation location:



Step 1: As shown in the diagram, connect [1], [2], and [3] to the original vehicle's power wiring.



✓ FUNCTION



Central Control Battery Light Specifications

1. **Product Dimensions:** 110*48*22mm

2. **Product Power: High Brightness:** 1.5W; Low Brightness: 0.83W

3. **Product Brightness: High Brightness:** 50 lux; Low Brightness: 25 lux (at 1-meter distance)

4. **Product Usage Time: High Brightness:** 1H; Low Brightness: 2.3H; SOS: 2H

5. **Product Voltage:** DC 12-24V

6. Product Functions:

(1) Short press to turn on/off.

(2) While the light is on, long press the button for 1 second to select the mode: High Brightness/Low Brightness/SOS. Release the button after selecting the desired mode. The selected mode will be retained for the next use.

(3) When the battery is low, the main white light flashes rapidly 5 times.

-**When the battery is insufficient**, pressing the button will cause the red indicator light to flash 5 times, and the main light will not turn on.

-**When the product is charging but not fully charged**, the red indicator light flashes. When fully charged, the red indicator light remains steadily lit.