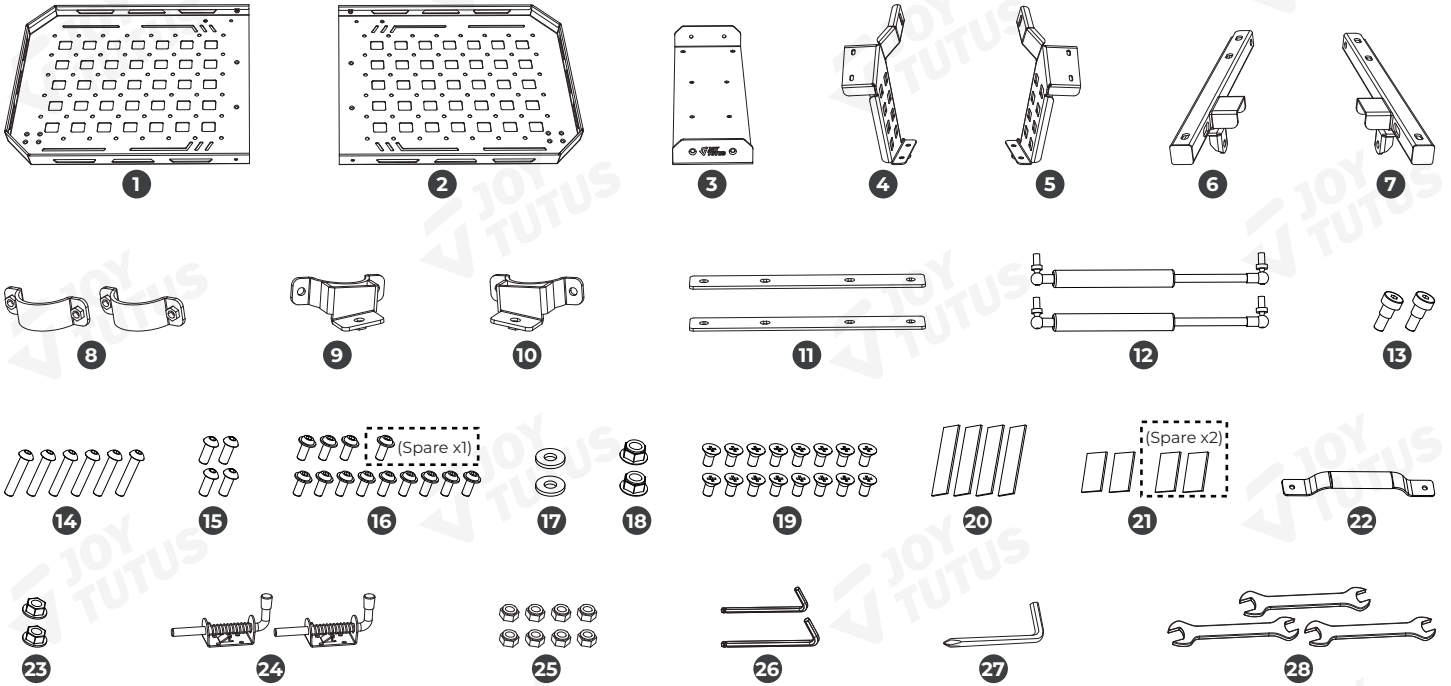


IMPORTANT

Before installation, please make sure that all accessories are ready. (As shown in the picture below).

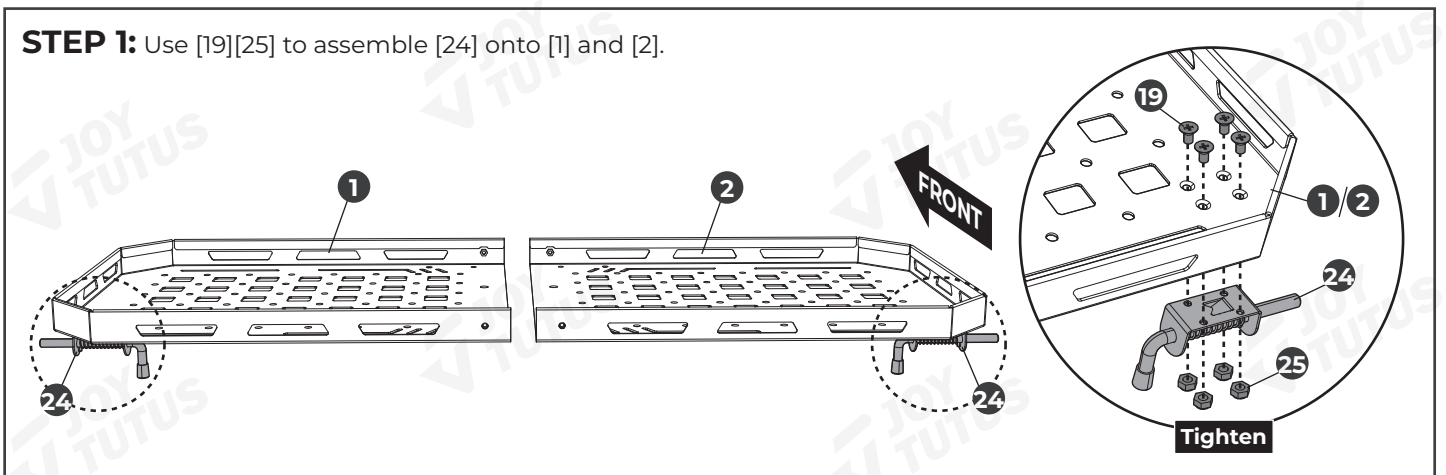
PRODUCT INFORMATION



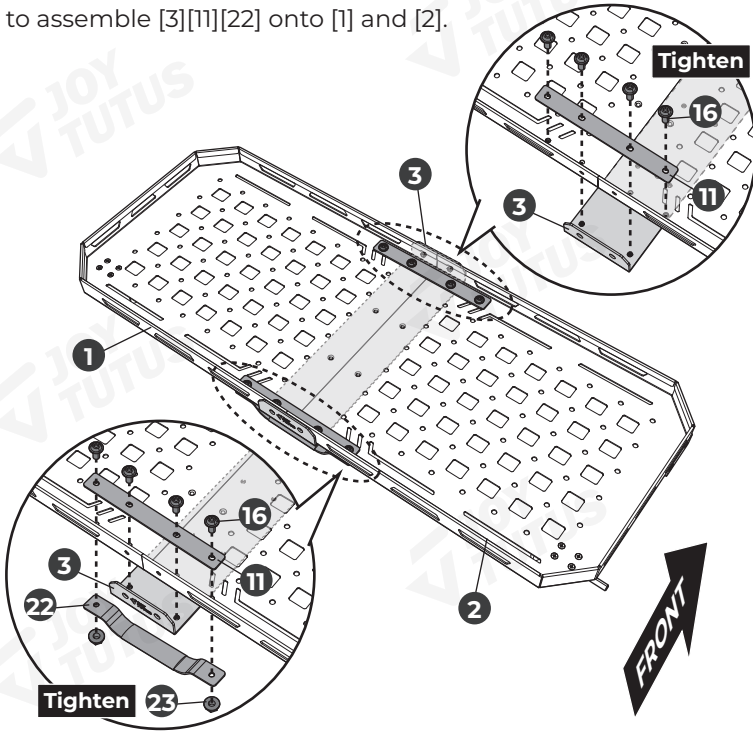
- | | | | | | |
|------------------------------------|----|--|-----|--|----|
| 1 Left storage shelf | x1 | 11 Reinforcing connecting plate | x2 | 21 Rubber pad B | x4 |
| 2 Right storage shelf | x1 | 12 Gas strut | x2 | 22 Handle | x1 |
| 3 Middle connecting plate | x1 | 13 Screw plug | x2 | 23 M6 hex flange nut | x2 |
| 4 Left bracket | x1 | 14 M8*40 hex socket screw | x6 | 24 Spring pin | x2 |
| 5 Right bracket | x1 | 15 M8*20 hex socket screw | x4 | 25 M5 anti-loosening nut | x8 |
| 6 Left connecting rod | x1 | 16 M6*14 hex socket screw with washer | x13 | 26 4, 5mm hex wrench | x2 |
| 7 Right connecting rod | x1 | 17 10*23.5*3 washer | x2 | 27 4mm hex and phillips dual-use wrench | x1 |
| 8 Left and right pipe clamp | x2 | 18 M8 anti-loosening flange nut | x2 | 28 8, 10, 12, 13mm open-end wrench | x3 |
| 9 Left pipe clamp | x1 | 19 M5*10 phillips screw | x16 | | |
| 10 Right pipe clamp | x1 | 20 Rubber pad A | x4 | | |

INSTALLATION TIPS

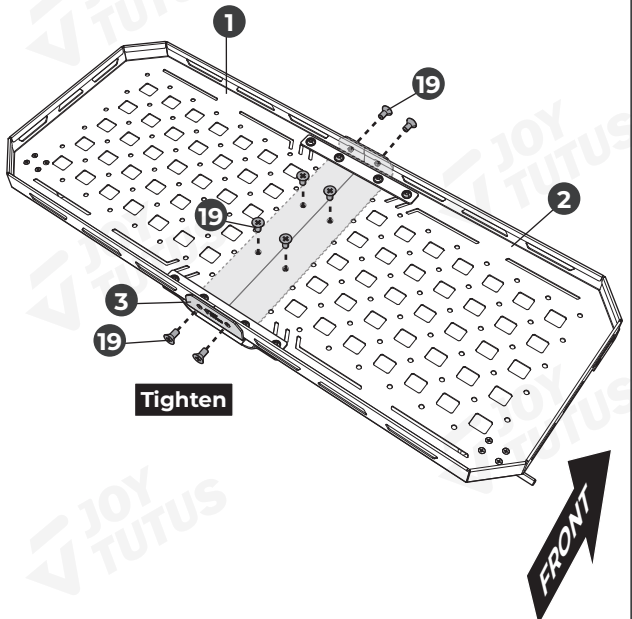
STEP 1: Use [19][25] to assemble [24] onto [1] and [2].



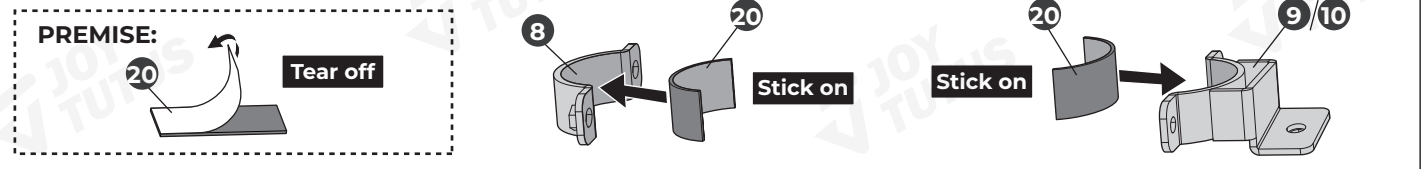
STEP 2: As shown in the diagram, use [16][23] to assemble [3][11][22] onto [1] and [2].



STEP 3: Use [19] to secure [3] to [1] and [2].

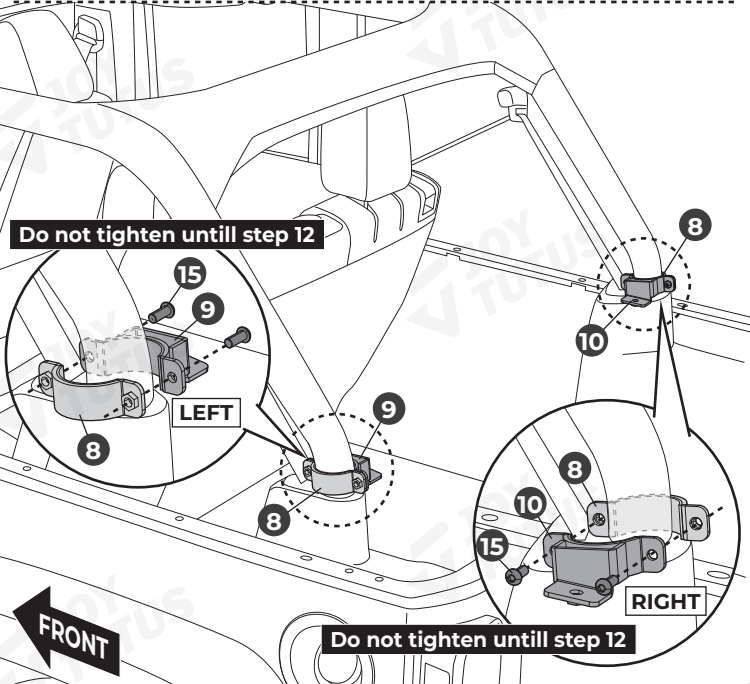
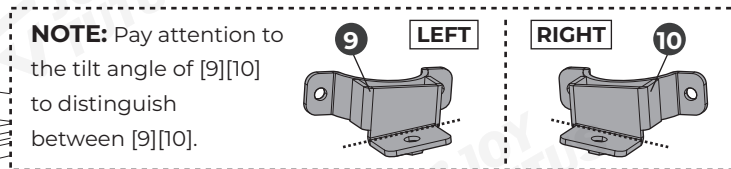


STEP 4: Attach [20] to [8][9][10].

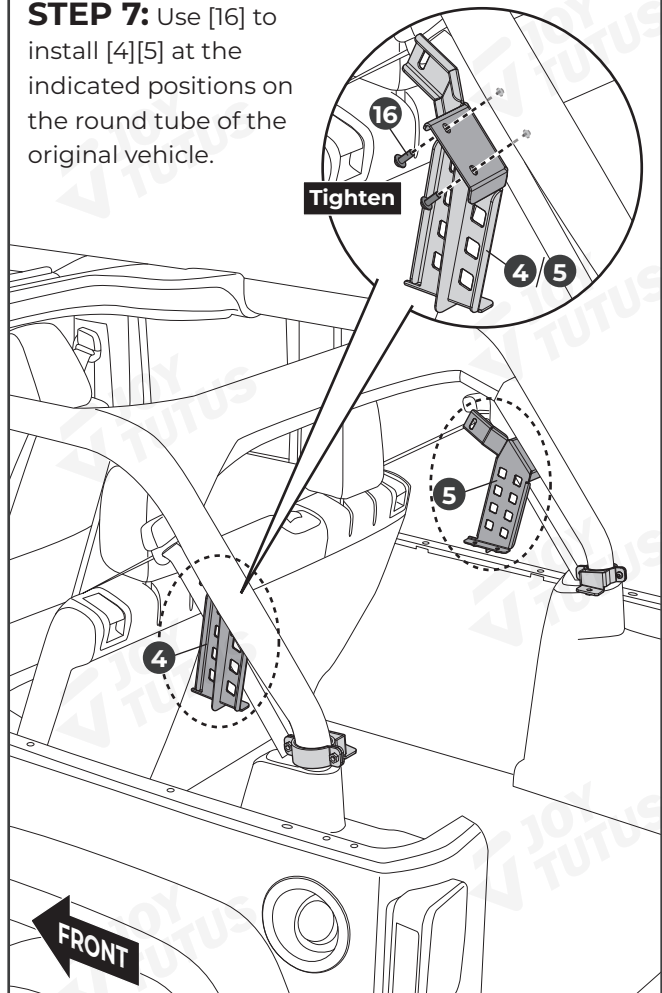


STEP 5: Remove the fabric from the round tube of the original vehicle as shown.

STEP 6: Using [15], assemble [8][9] and [8][10] onto the round tube of the original vehicle as shown.

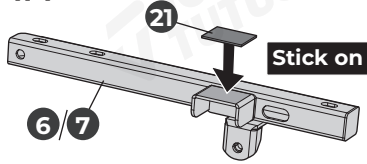


STEP 7: Use [16] to install [4][5] at the indicated positions on the round tube of the original vehicle.

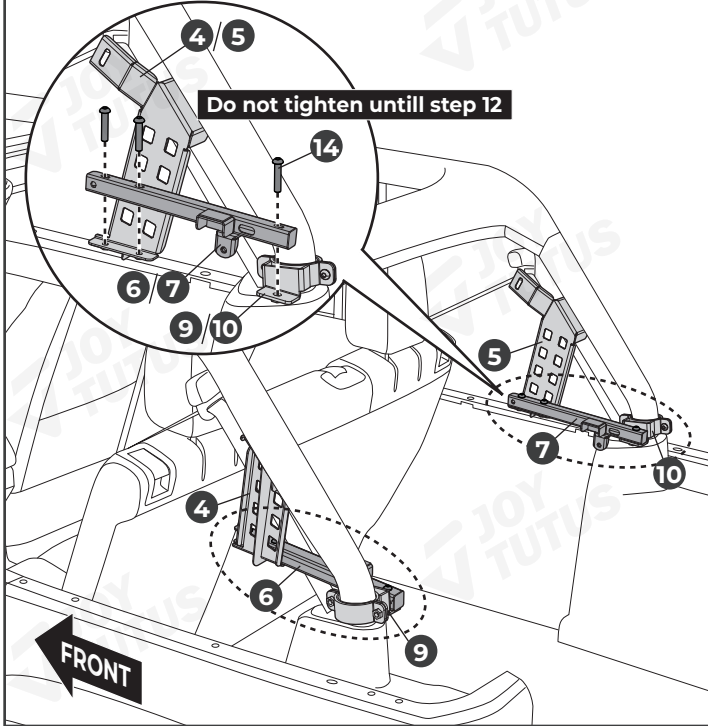


STEP 8: Attach [21] to [6][7].

PREMISE:

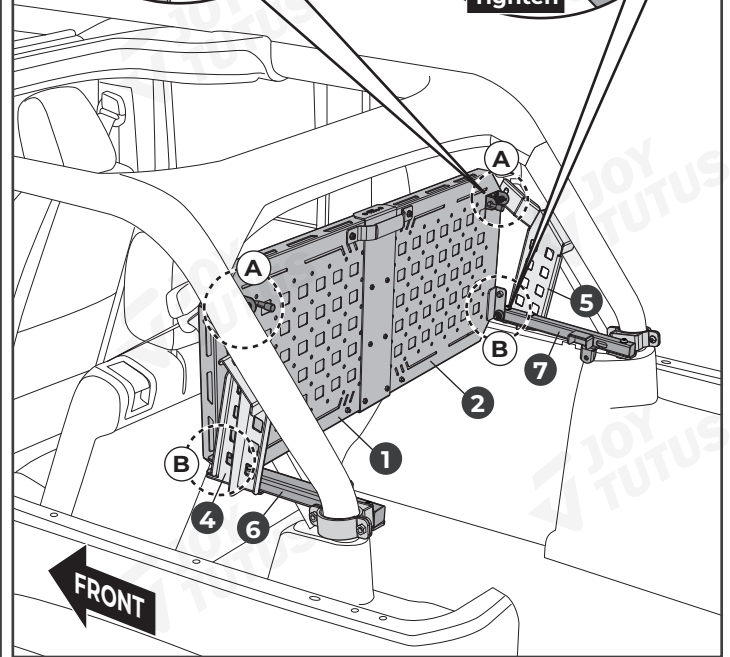
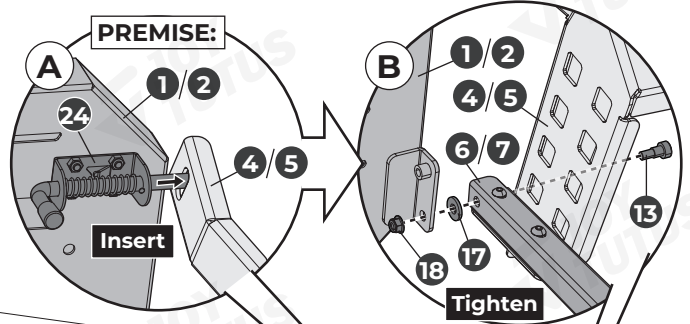


STEP 9: Using [14], connect [6] to [4][9]; using [14], connect [7] to [5][10].

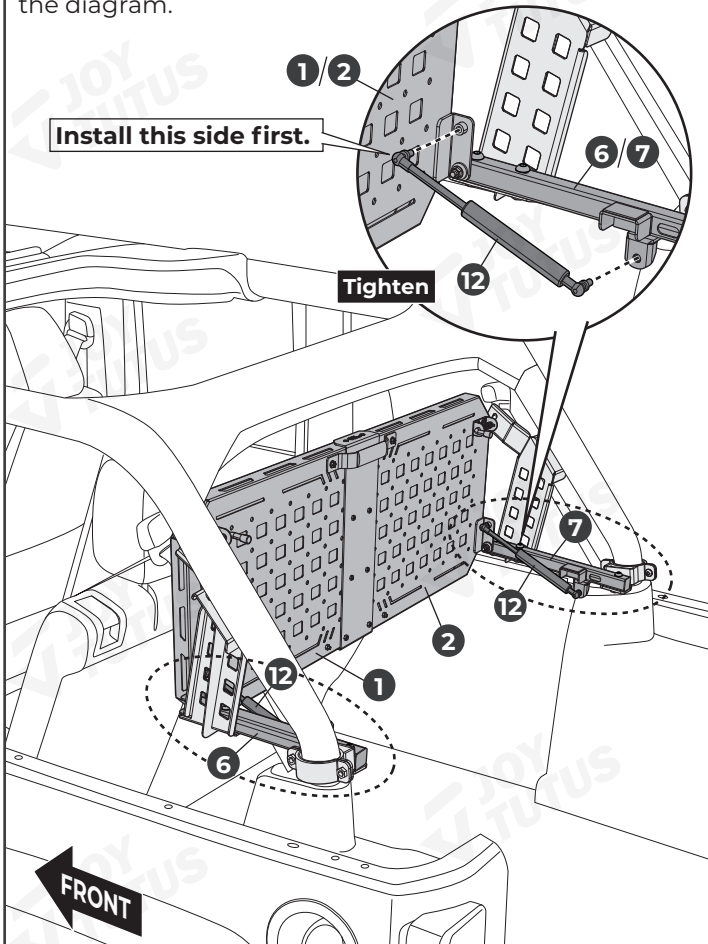


STEP 10: As shown in the diagram, use [13][17][18] to install the assembled [1][2] onto [6][7].

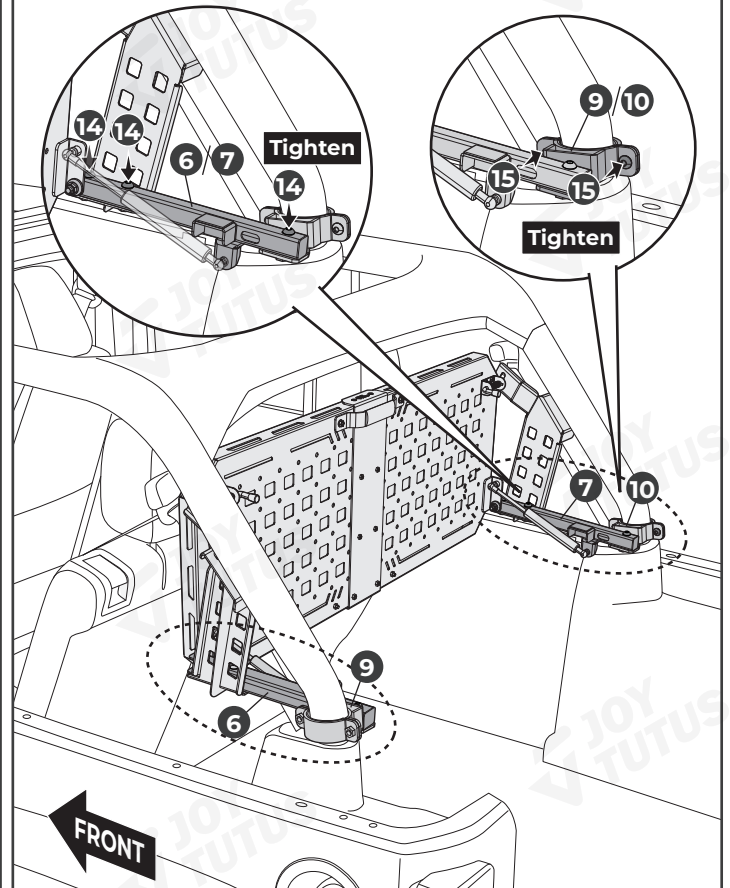
PREMISE:



STEP 11: Install [12] on both sides in the order shown in the diagram.

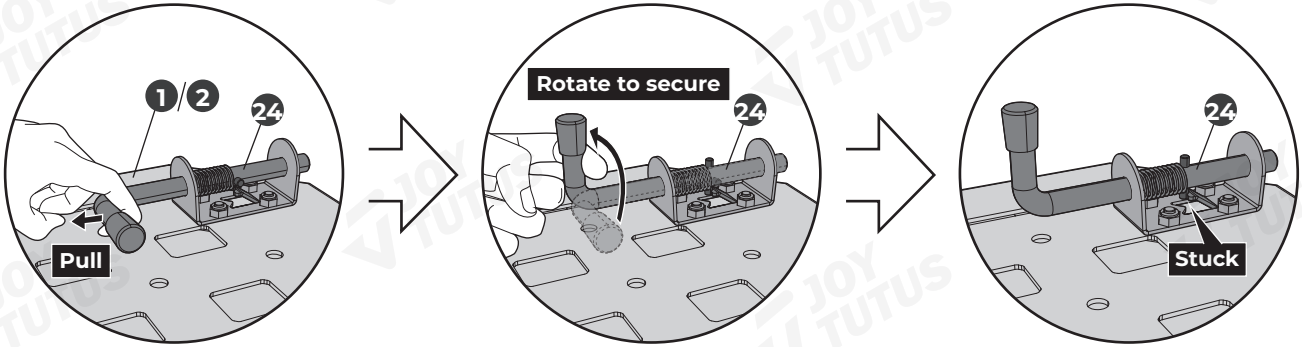


STEP 12: Adjust the assembled product to the appropriate position and tighten [14] from step 9 and [15] from step 6.

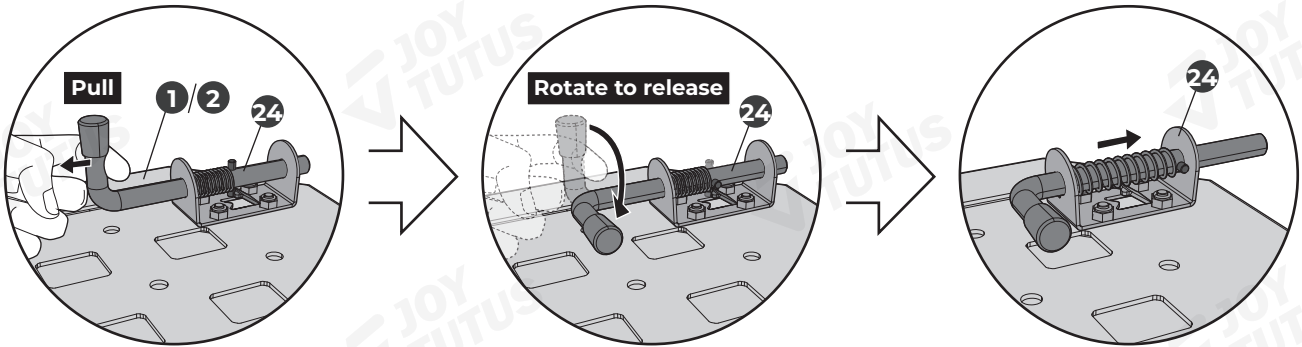


√ FUNCTION

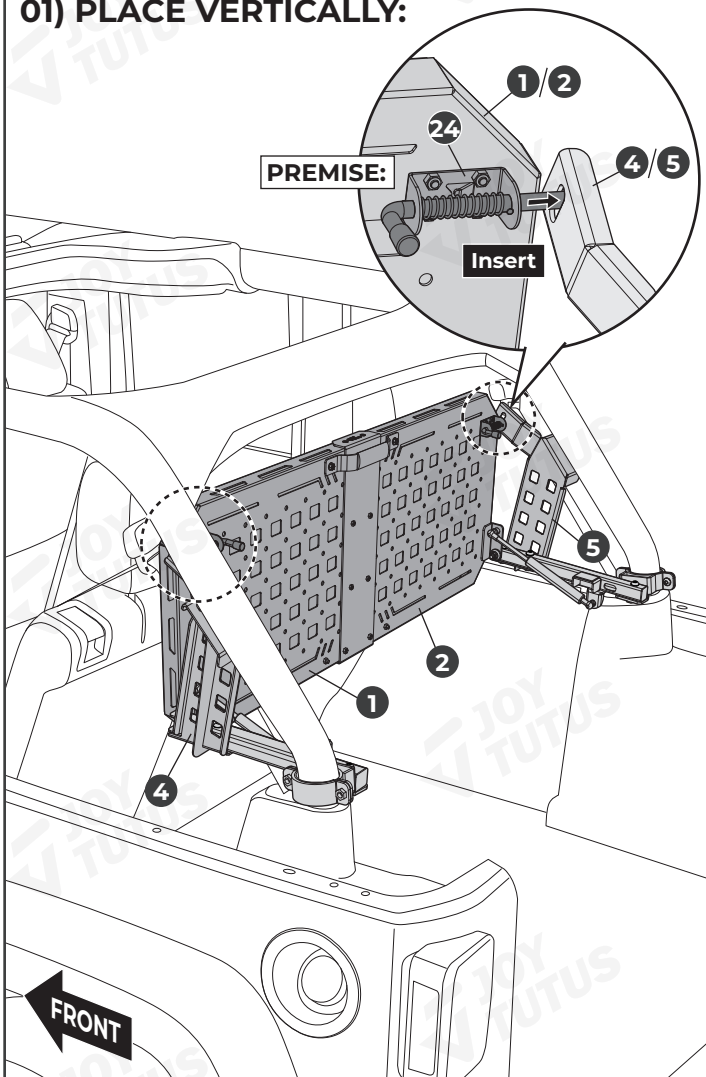
UNLOCKED STATE:



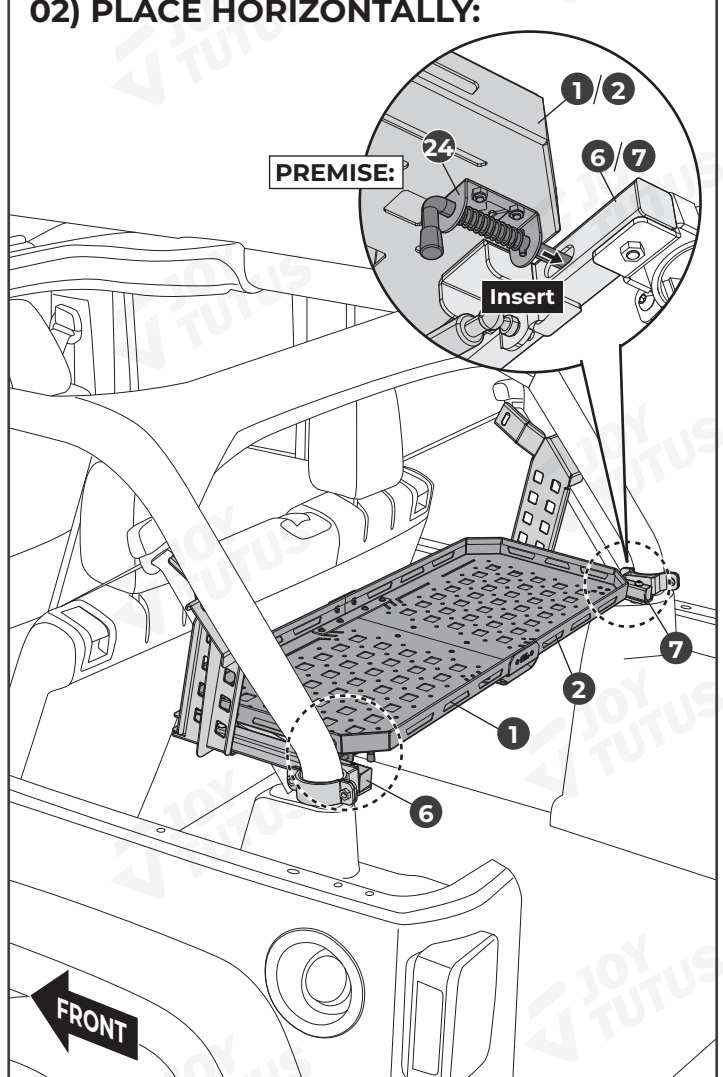
LOCKED STATE:



01) PLACE VERTICALLY:



02) PLACE HORIZONTALLY:



If you have any questions, please visit Joytutus website or email for quick response.

Web: www.joytutus.com

Email: Service@joytutus.com