

### IMPORTANT

Before installation, please make sure that all accessories are ready. (As shown in the picture below).

### PRODUCT INFORMATION

#### CUSTOMER SUPPORT

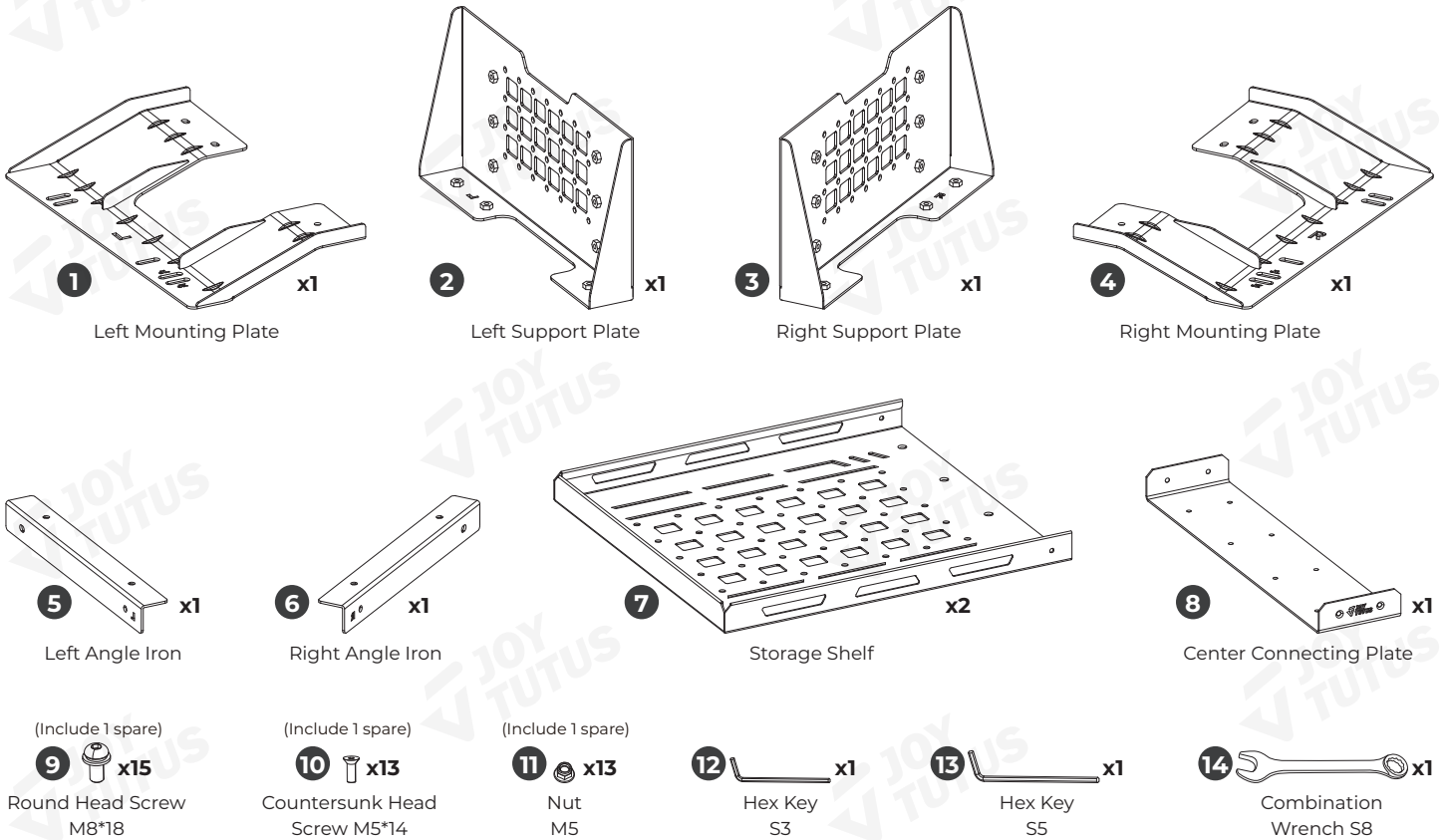
JOYTUTUS help center:



Contact us by email:  
service@joytutus.com



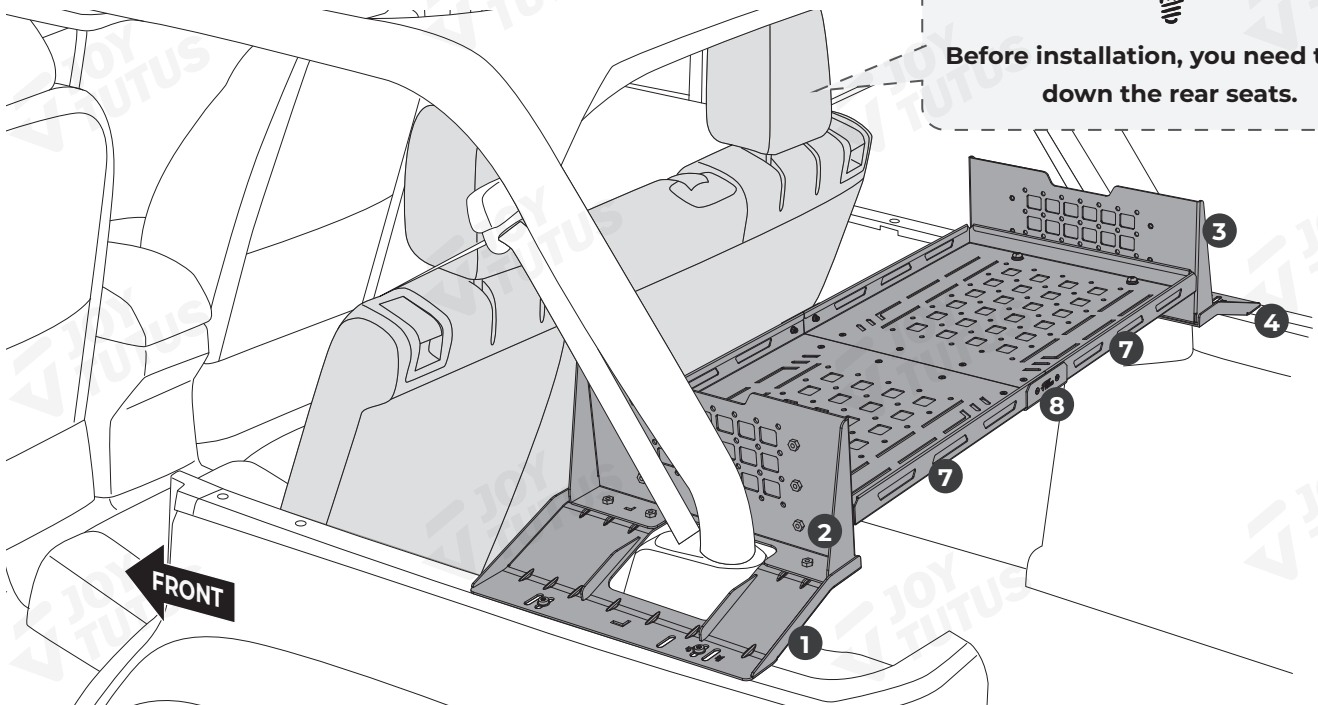
<http://support.joytutus.com>



### INSTALLATION COMPLETION DIAGRAM



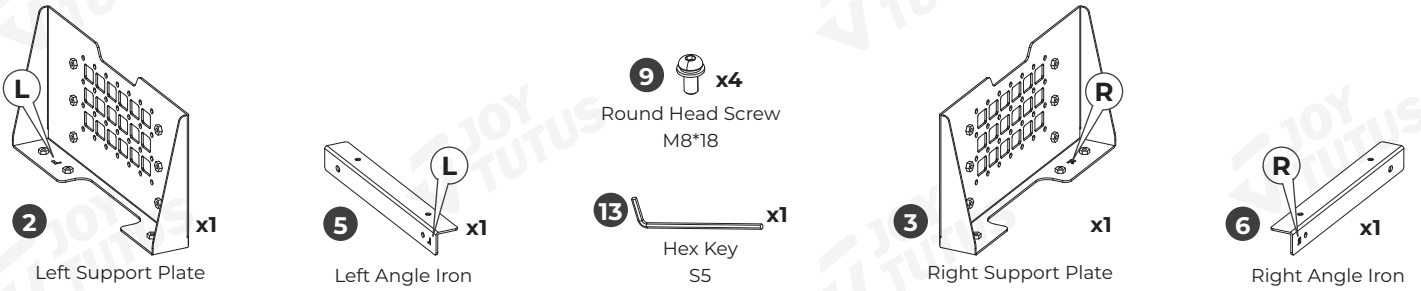
Before installation, you need to fold down the rear seats.



# √ INSTALLATION TIPS

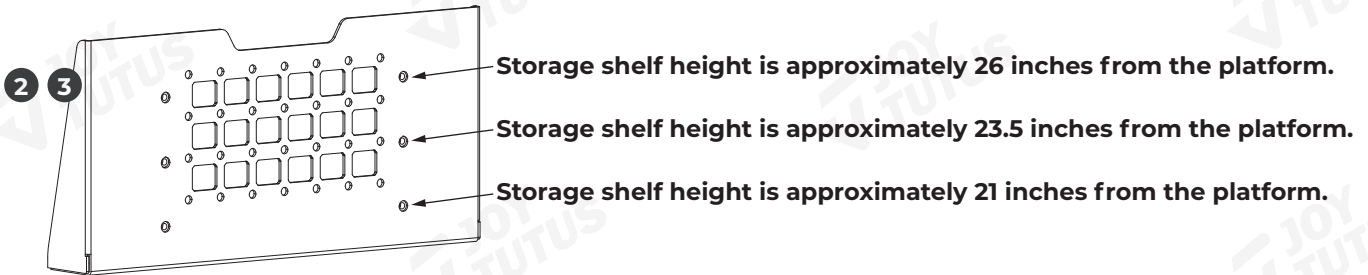
## STEP 1

### Required accessories:



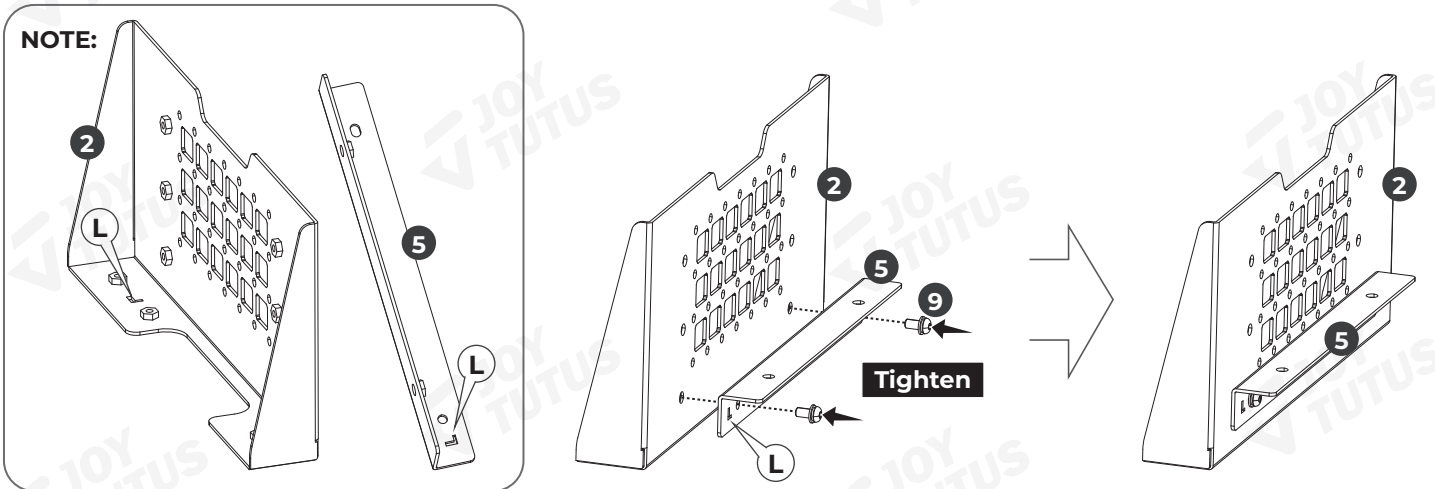
### Before starting, you should know

(Install the shelf by selecting the appropriate holes according to your needs.)



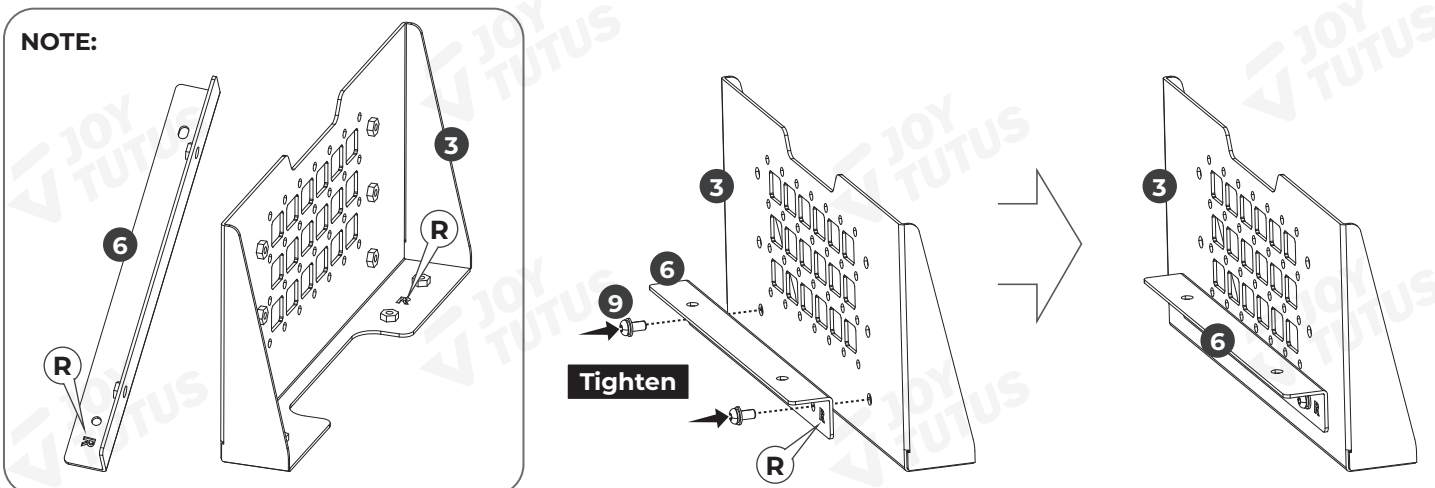
## STEP 1-1

### NOTE:



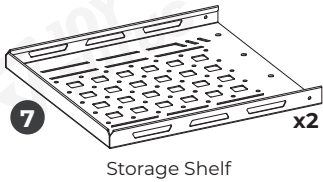
## STEP 1-2

### NOTE:

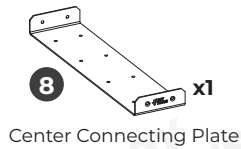


## STEP 2

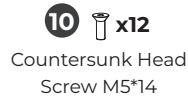
Required accessories:



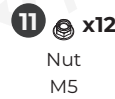
Storage Shelf



Center Connecting Plate



Countersunk Head  
Screw M5\*14



Nut  
M5



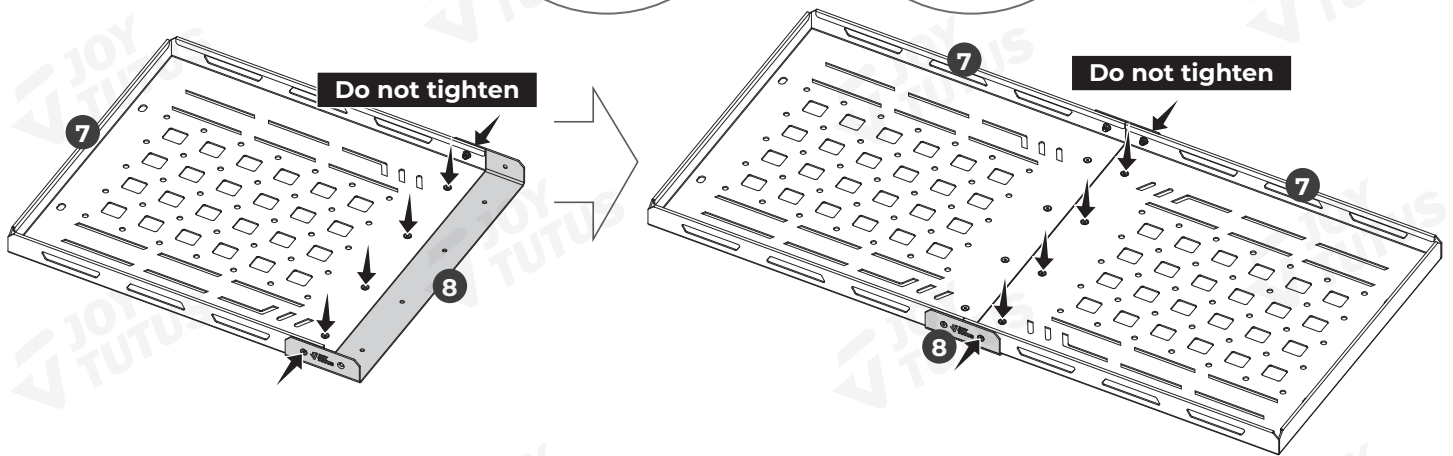
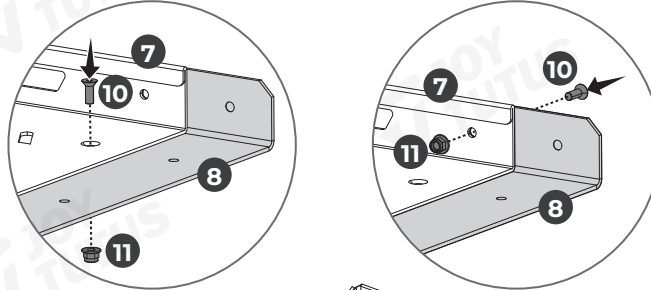
Hex Key  
S3



Combination  
Wrench S8

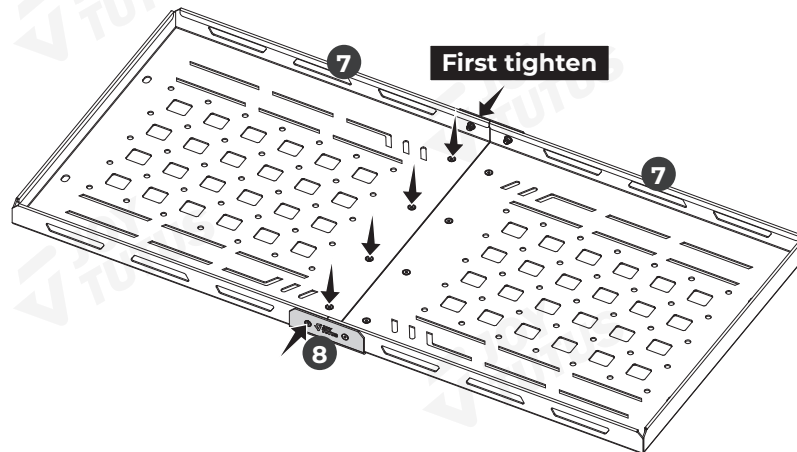
### STEP 2-1

According to the diagram, assemble 7 and 8 without tightening them first.



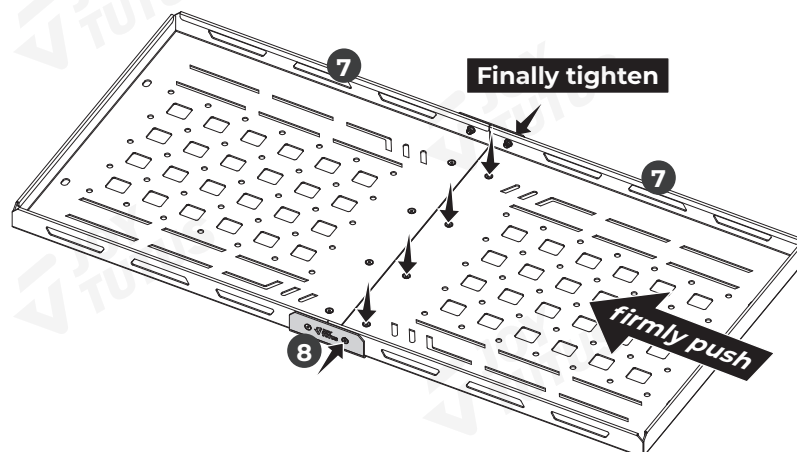
### STEP 2-2

Tighten the screws on the side shown in the diagram first.



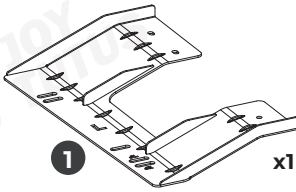
### STEP 2-3

First, firmly push the other side toward the direction shown in the diagram, then tighten the screws on the remaining side.

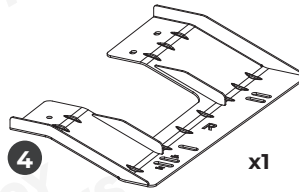


### STEP 3

#### Required accessories:



Left Mounting Plate



Right Mounting Plate

#### Required tool:

**JL**

T50 Torx  
Wrench



**JK**

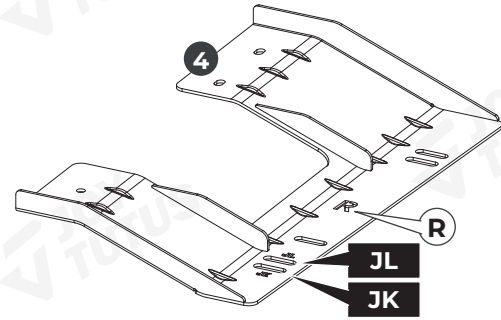
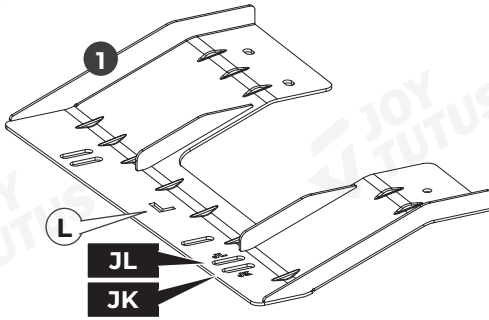
T40 Torx  
Wrench



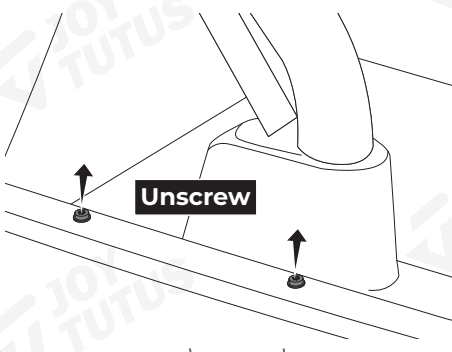
(to be prepared by oneself)

#### Before starting, you should know

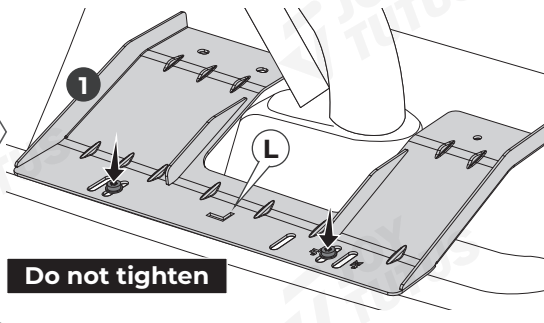
(Install the shelf by selecting the appropriate holes according to your needs.)



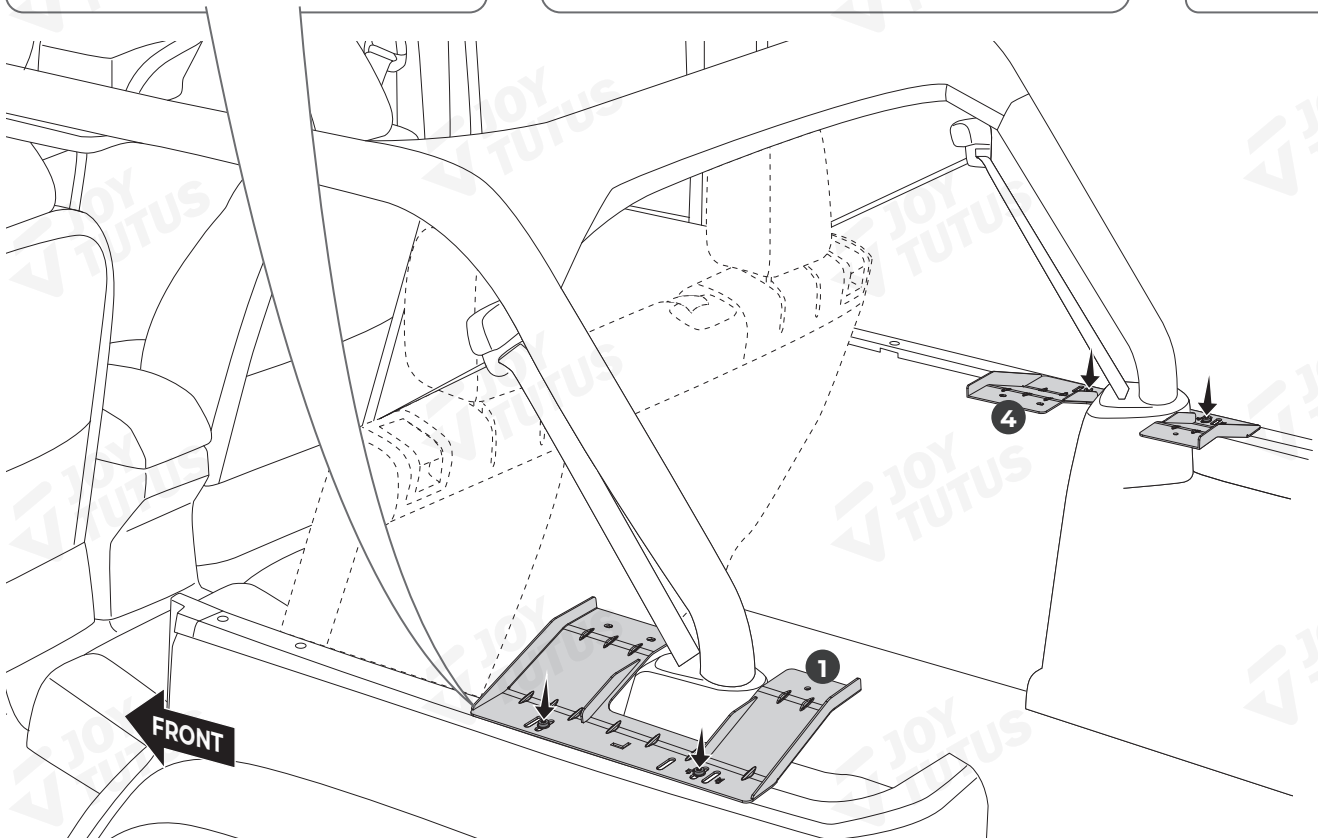
Unscrew the original car screws.



Install **1** using the original car screws, but do not tighten them yet.




Install the other side **4** in the same manner.



## STEP 4

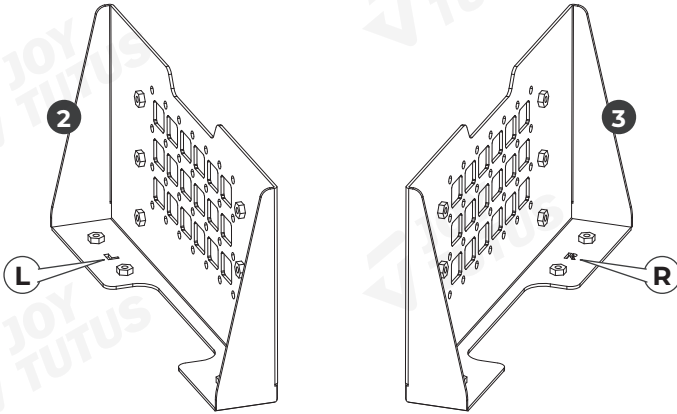
### Required accessories:

**9**  x6  
Round Head Screw  
M8\*18

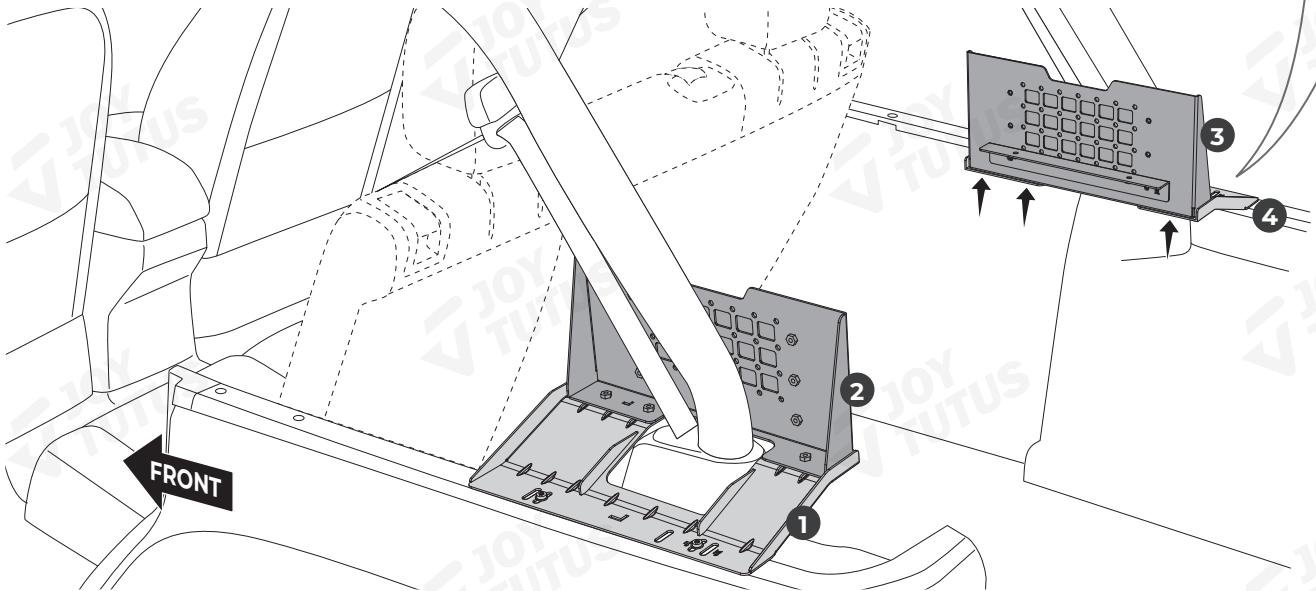
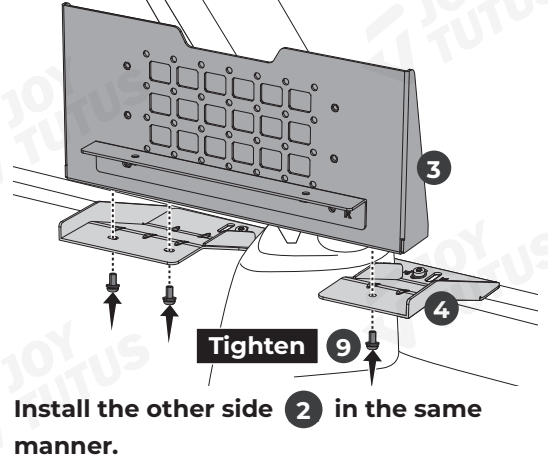
**13**  x1  
Hex Key  
S5

### NOTE:

(For this step, you need to prepare the pre-assembled **2** and **3** from Step 1, ensuring the L/R parts are identified in advance.)



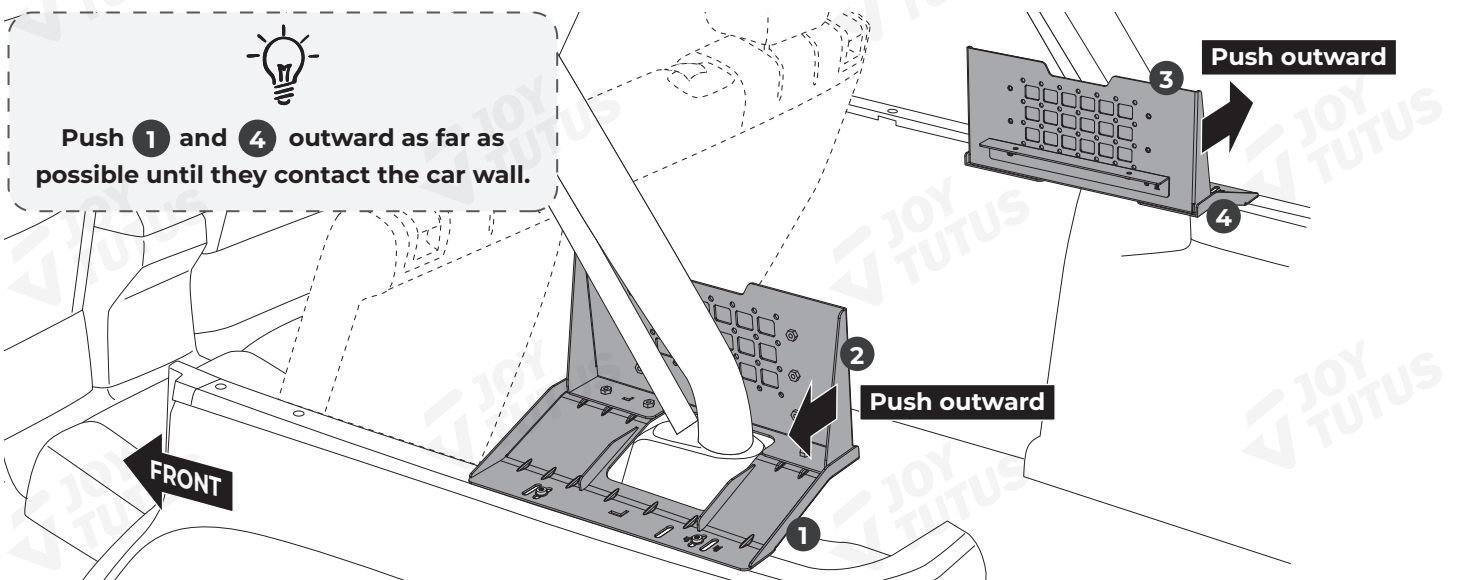
Use screws **9** to attach **3** to **4**, and tighten the screws directly.



## STEP 5



Push **1** and **4** outward as far as possible until they contact the car wall.



## STEP 6

### Required accessories:

9 x4

Round Head Screw  
M8\*18

13 x1

Hex Key  
S5

### Required tool:

(to be prepared  
by oneself)

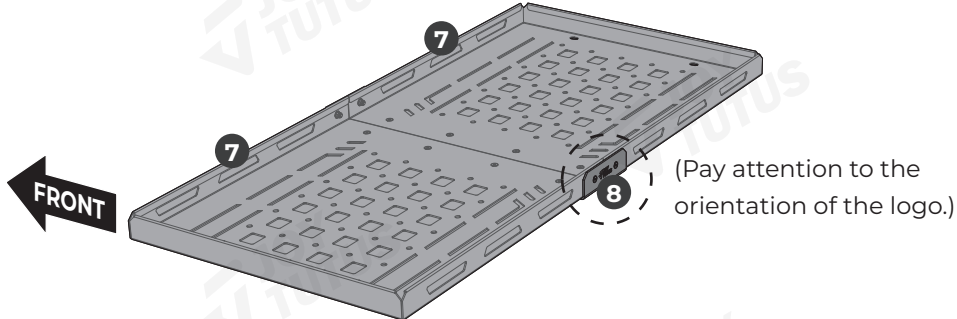
JL

T50 Torx  
Wrench

JK

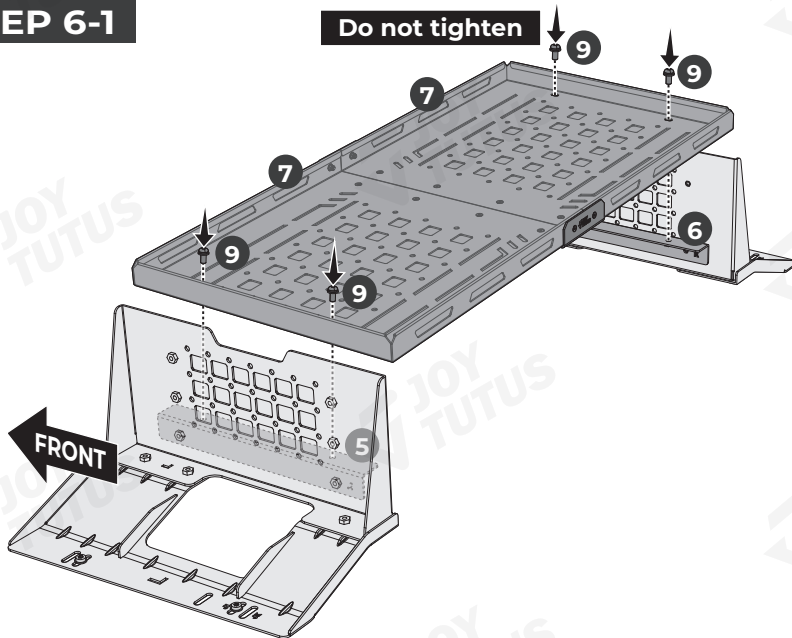
T40 Torx  
Wrench

### NOTE:



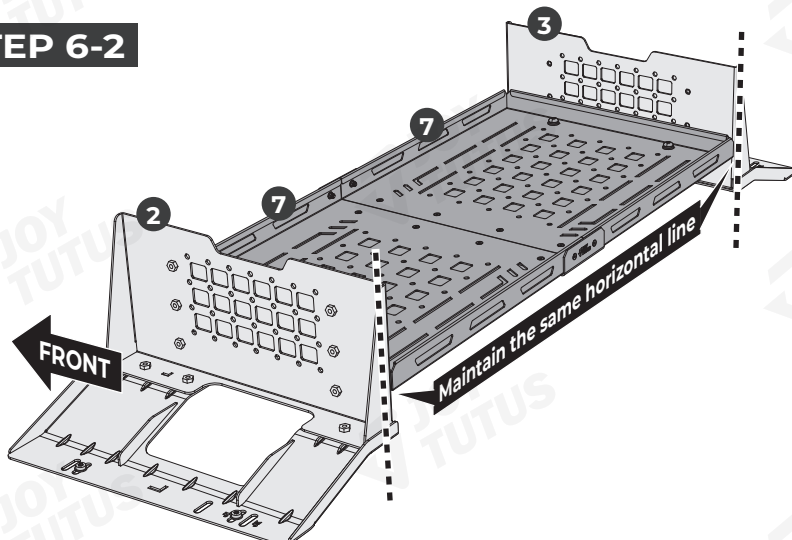
## STEP 6-1

Do not tighten



Use four screws 9 to attach 7 to 5 and 6, but do not tighten them yet.

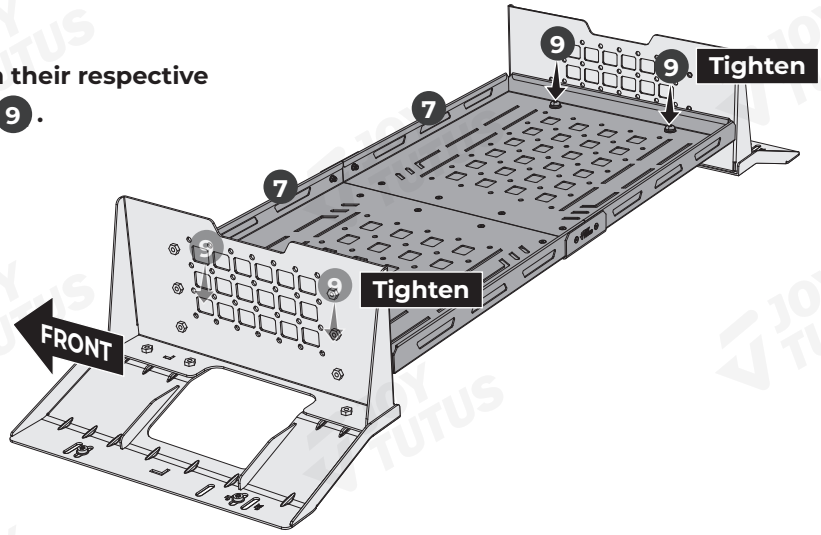
## STEP 6-2



Make sure the diagram locations of 7 and 2 3 remain on the same horizontal line.

### STEP 6-3

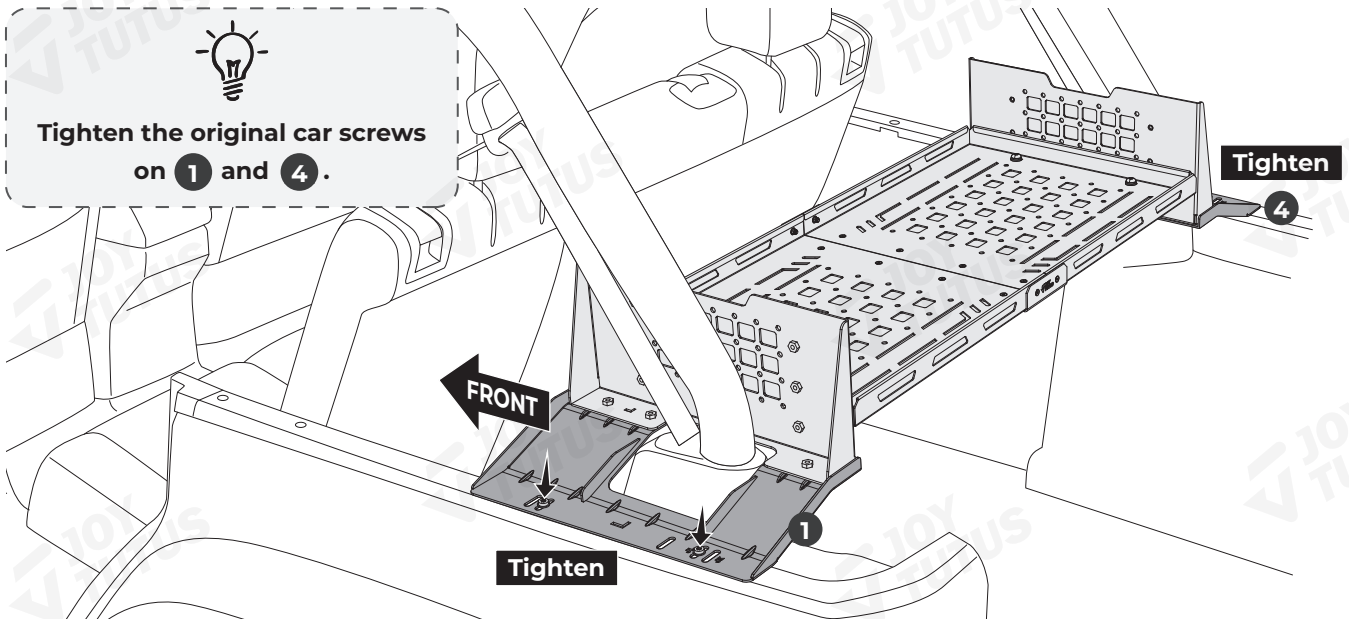
Once all four screws 9 are positioned in their respective mounting points, tighten all four screws 9.



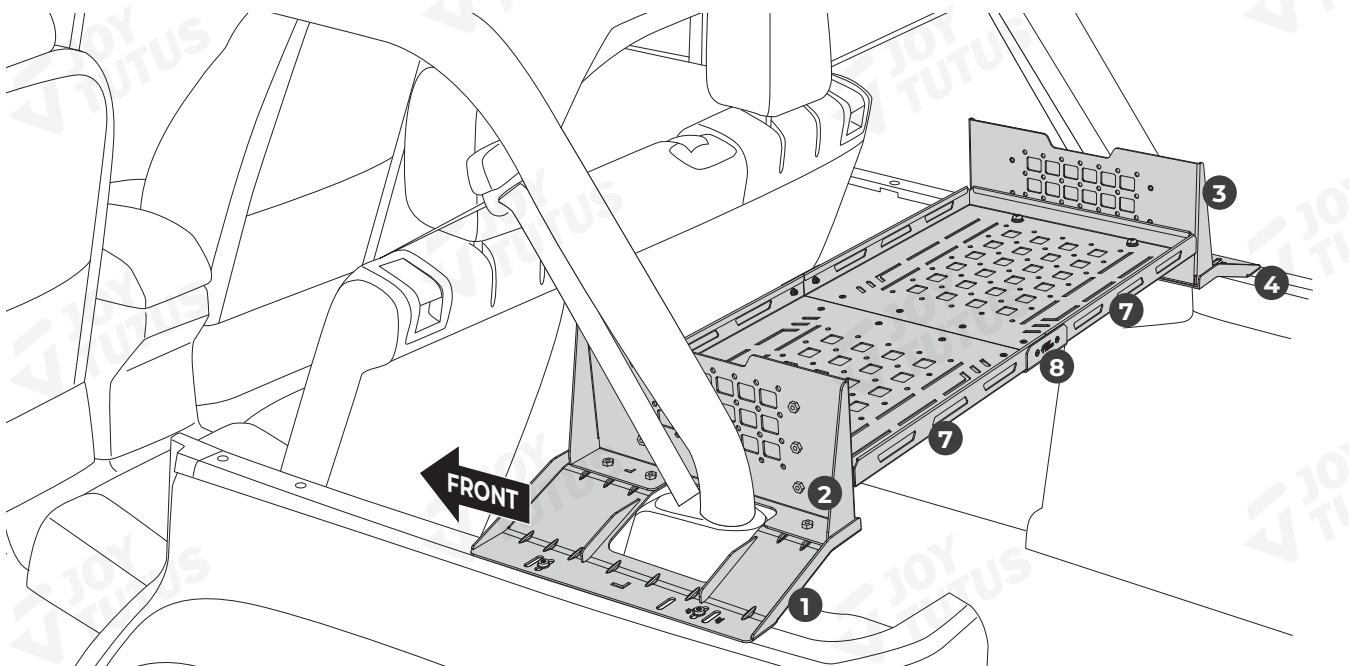
### STEP 6-4



Tighten the original car screws on 1 and 4.

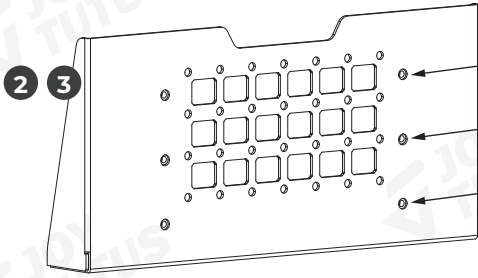


### Installation Completed



## ✓ STORAGE SHELF HEIGHT ADJUSTMENT

### Before starting, you should know



Storage shelf height is approximately 26 inches from the platform.

Storage shelf height is approximately 23.5 inches from the platform.

Storage shelf height is approximately 21 inches from the platform.

### STEP 1

Unscrew the four screws **9** and remove **7**.

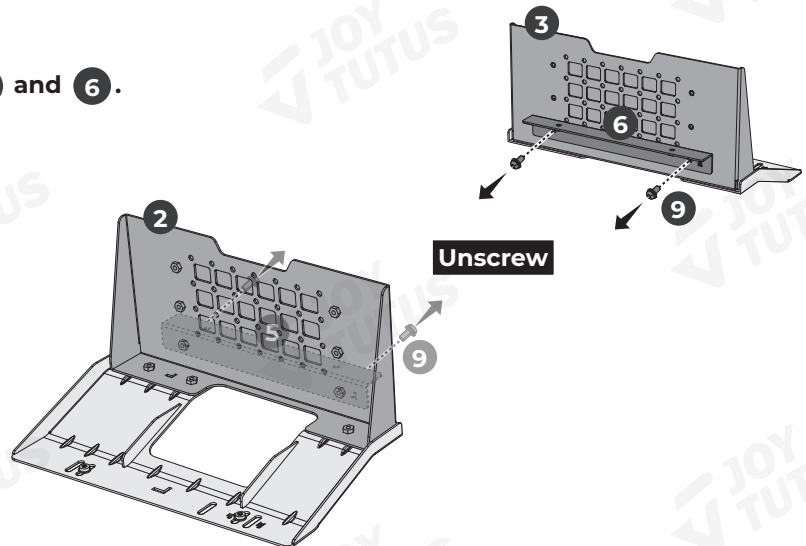
Required tool: **13** Hex Key S5 x1



### STEP 2

Unscrew the four screws **9** and remove **5** and **6**.

Required tool: **13** Hex Key S5 x1



### STEP 3

Select the appropriate mounting holes to install **5** onto **2** and **6** onto **3**.

(Refer to Step 1 on page 2 for installation instructions.)

### STEP 4

Install **7** onto **5** and **6**.

(Refer to Step 6 on page 6 for installation instructions.)