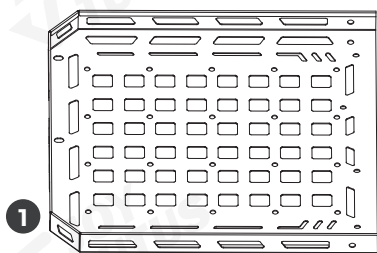


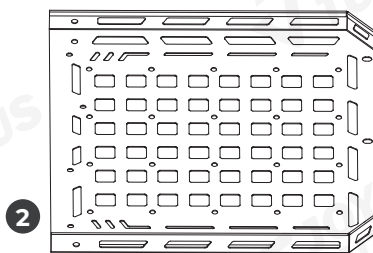
### IMPORTANT

Before installation, please make sure that all accessories are ready. (As shown in the picture below).

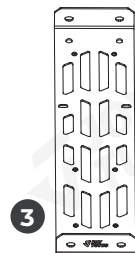
### PRODUCT INFORMATION



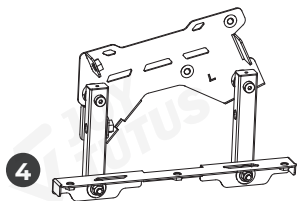
Left Storage Rack **x1**



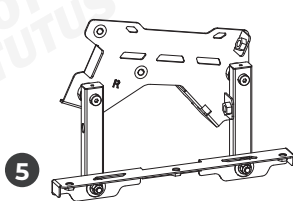
Right Storage Rack **x1**



Middle Connecting Plate **x1**



Left Bracket **x1**



Right Bracket **x1**



Hose Clamp **x2**



Reinforcement Plate **x4**



Handle **x1**



M10\*50 Thumb Screw **x2**

(Include 1 spare)



M8\*40 Pan Head Hex Socket Screw with Washer **x5**

(Include 2 spare)



M8\*18 Pan Head Hex Socket Screw with Washer **x16**

(Include 2 spare)



M8 Nylon Locking Flange Nut **x10**

(Include 2 spare)



M5\*12 Hex Socket Flat Head Screw **x10**



Rubber Pad A **x2**



Rubber Pad B **x2**



L-shaped Hex Key (S=5) **x1**



L-shaped Hex Key (S=3) **x1**



Hex Socket Wrench (S=13) **x1**



Cross-head Screwdriver **x1**

### Customer Support

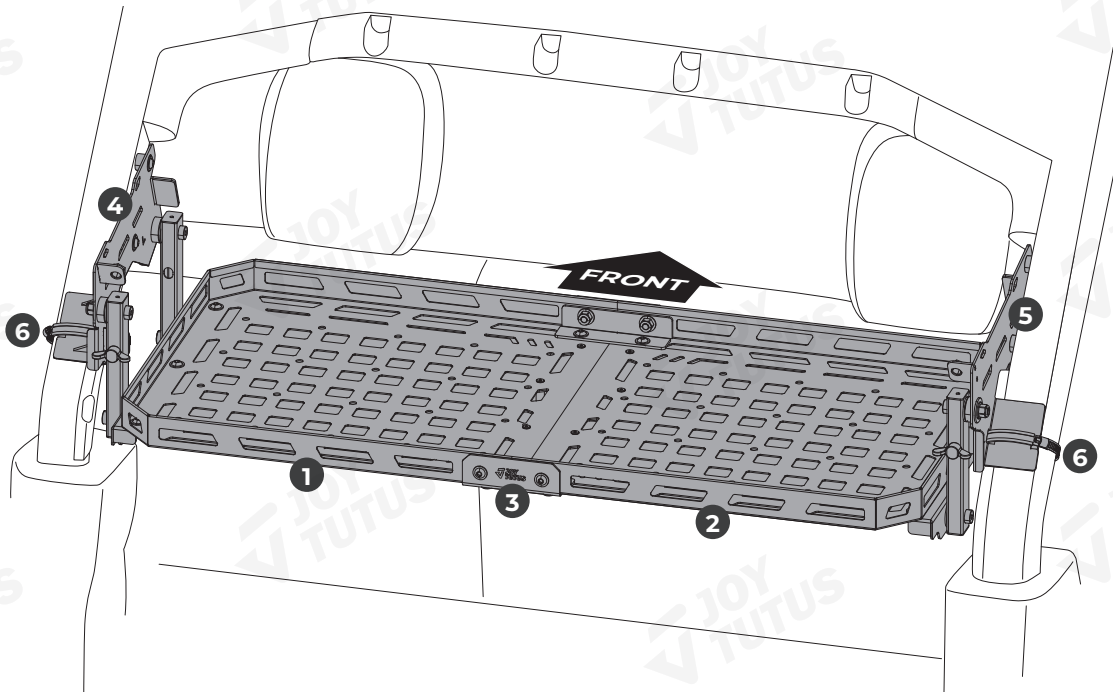


Contact us by email: [service@joytutus.com](mailto:service@joytutus.com)

JOYTUTUS help center:  
<http://support.joytutus.com>



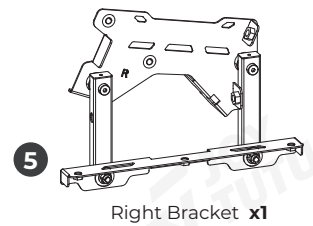
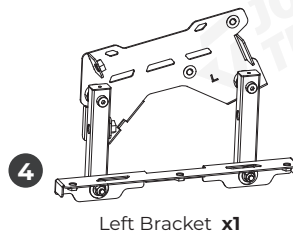
## ✓ INSTALLATION COMPLETION DIAGRAM



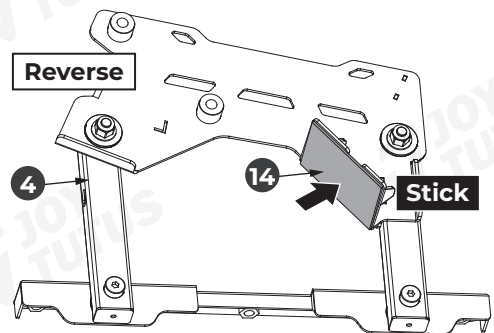
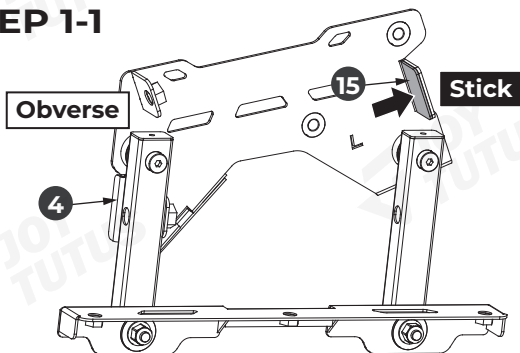
## ✓ INSTALLATION TIPS

### STEP 1

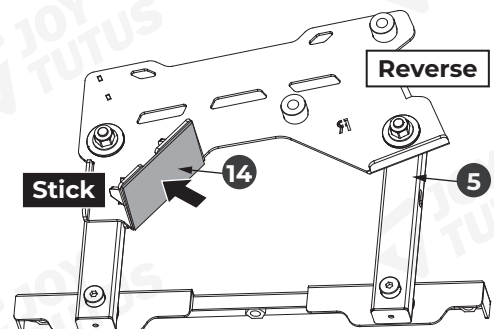
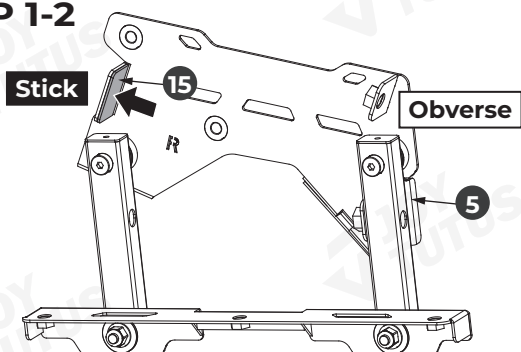
Required accessories:



### STEP 1-1

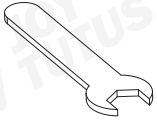


### STEP 1-2

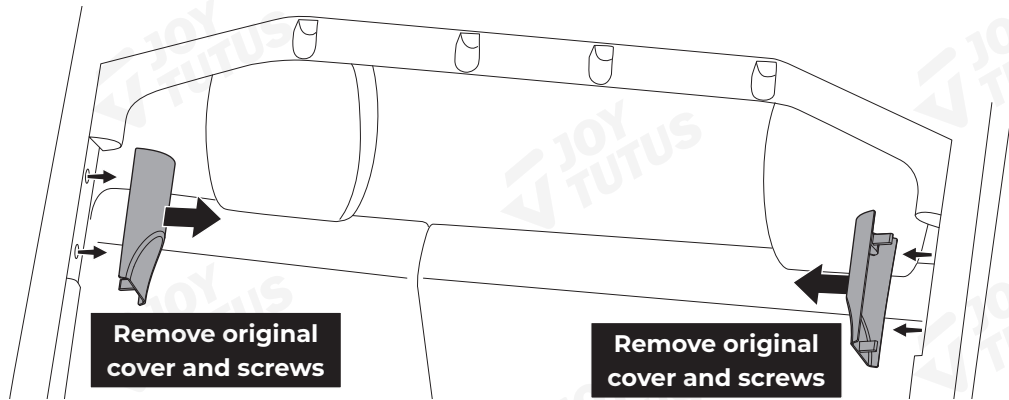


## STEP 2

### Required tool:



(to be prepared by oneself)



## STEP 3

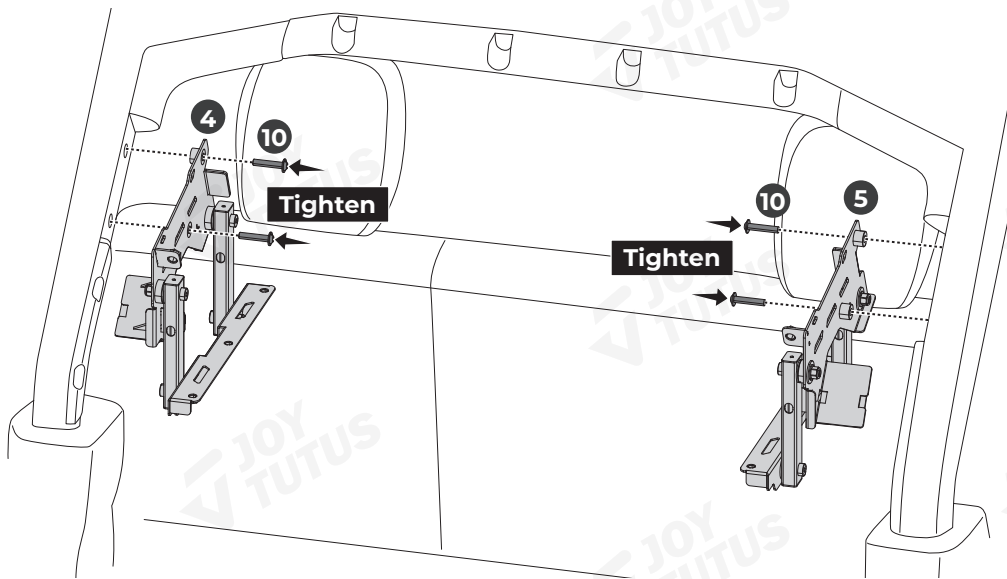
### Required accessories:



M8\*40 Pan Head Hex Socket  
Screw with Washer **x4**



L-shaped Hex Key  
(S=5) **x1**



## STEP 4

### Required accessories:

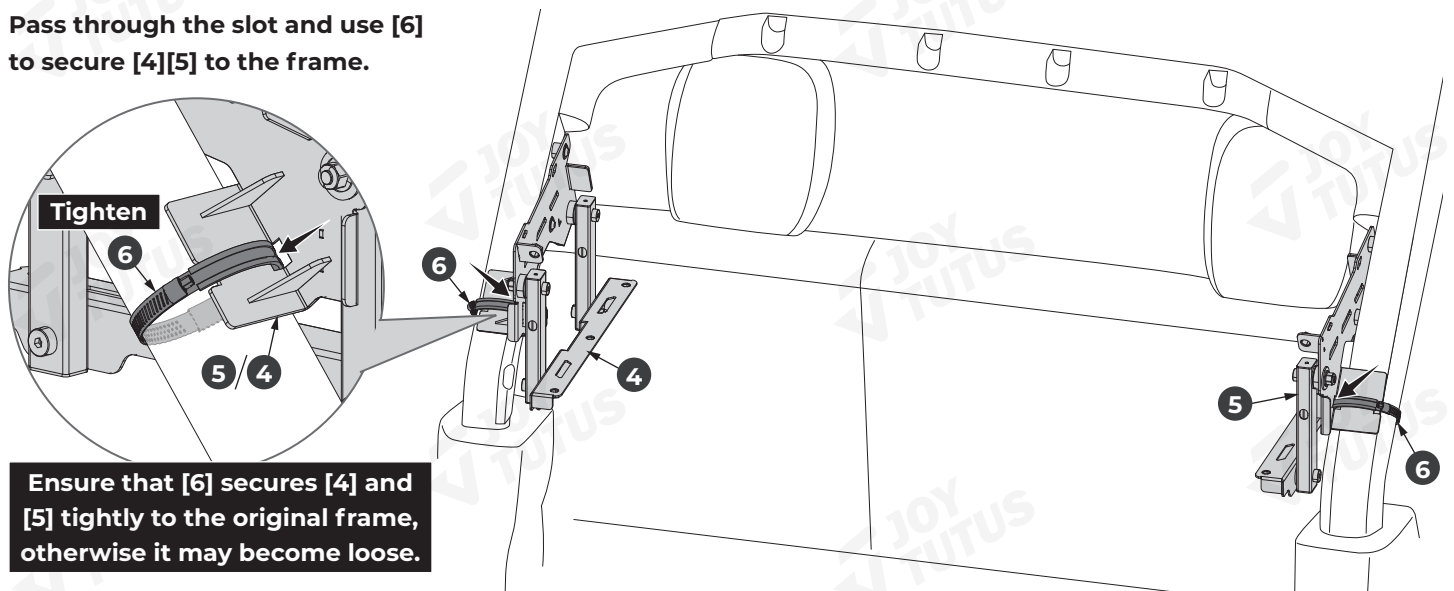


Hose Clamp **x2**



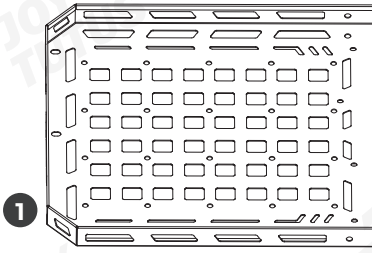
Cross-head Screwdriver **x1**

Pass through the slot and use [6]  
to secure [4][5] to the frame.

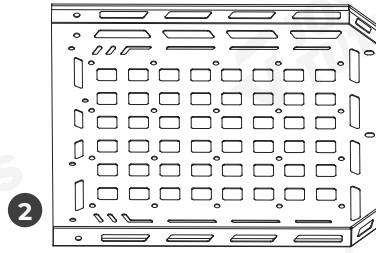


## STEP 5

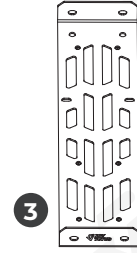
Required accessories:



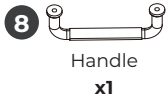
Left Storage Rack x1



Right Storage Rack x1



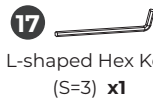
Middle Connecting Plate x1



Handle x1

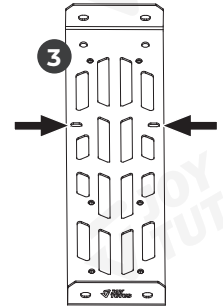
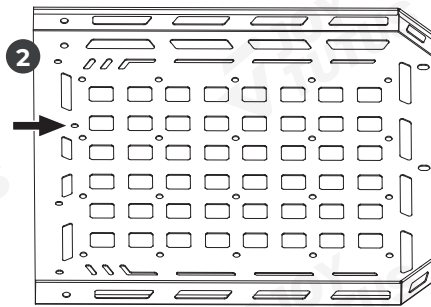
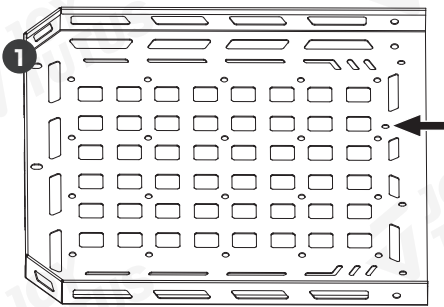


M5\*12 Hex Socket Flat Head Screw x8



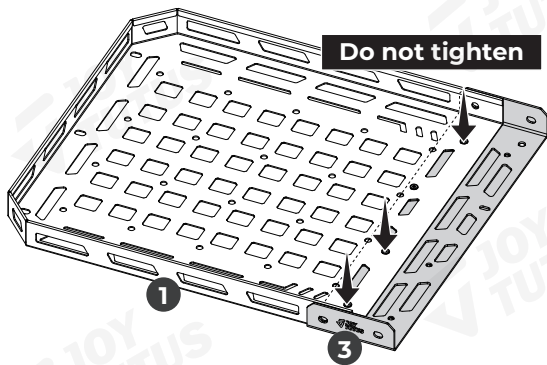
L-shaped Hex Key (S=3) x1

Note that this is the mounting hole for [8]:



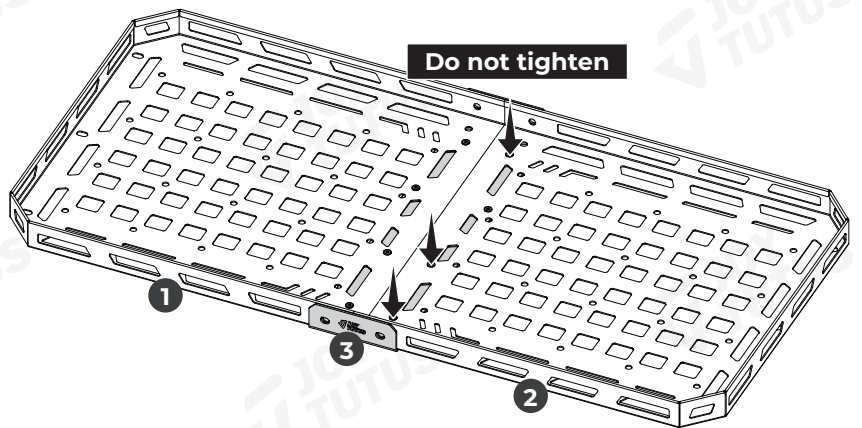
### STEP 5-1

Using three screws [13], assemble [1] and [3]; do not tighten.



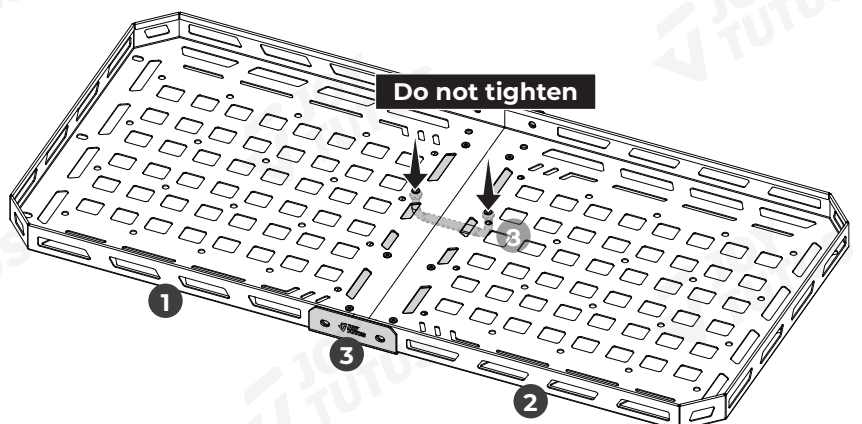
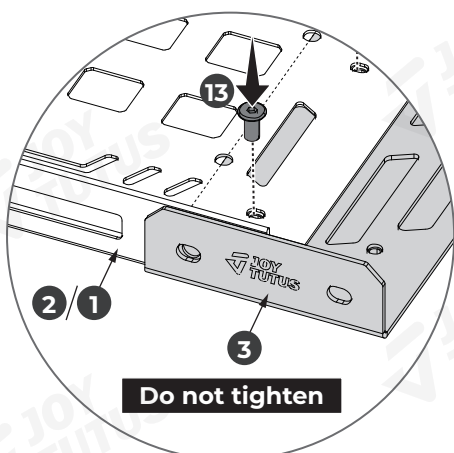
### STEP 5-2

Using three screws [13], assemble [2] and [3]; do not tighten.



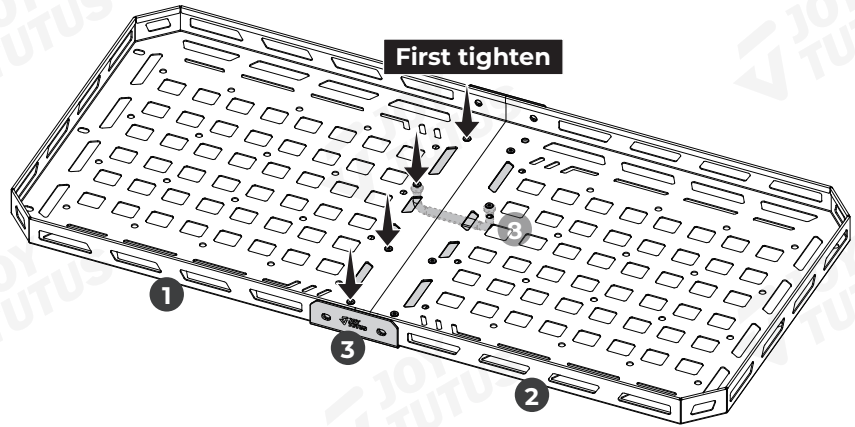
### STEP 5-3

Using two screws [13], install [8] to the bottom of [3]; do not tighten.



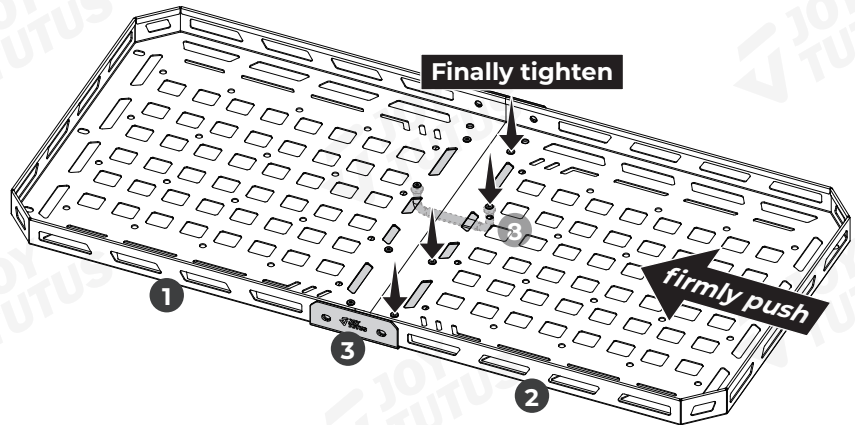
## STEP 5-4

Tighten the screws on the side shown in the diagram first.



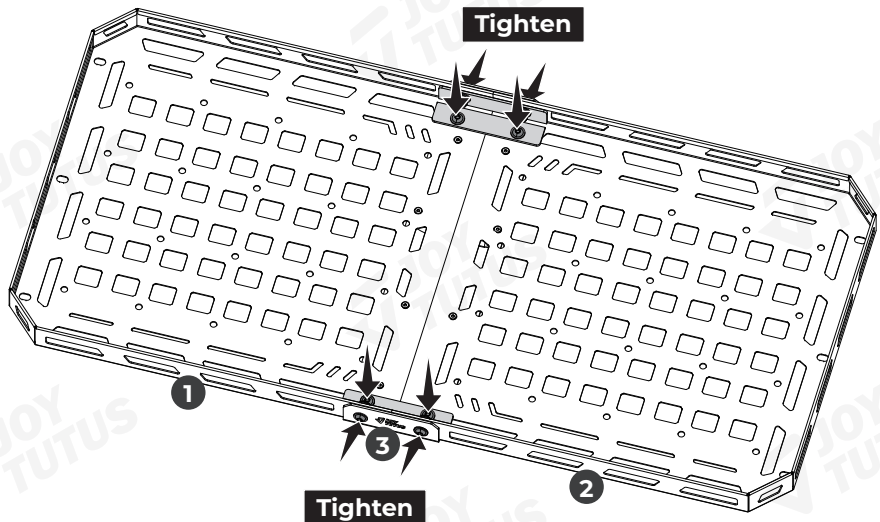
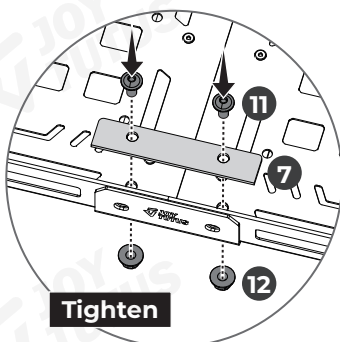
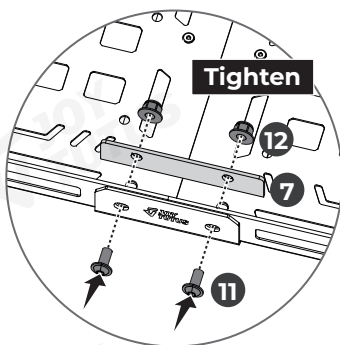
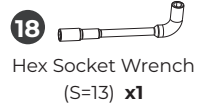
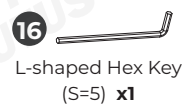
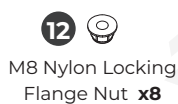
## STEP 5-5

First, firmly push the other side toward the direction shown in the diagram, then tighten the screws on the remaining side.



## STEP 6

Required accessories:




# STEP 7

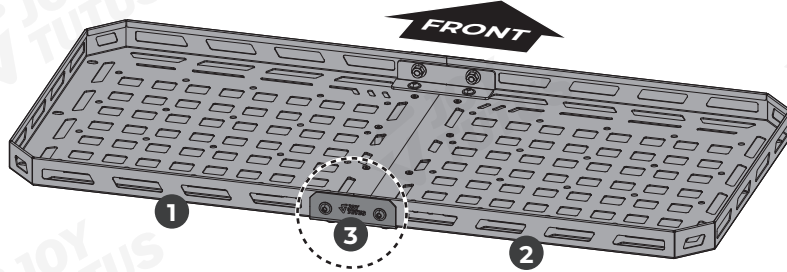
Required accessories:

**9**   
M10\*50 Thumb  
Screw **x2**

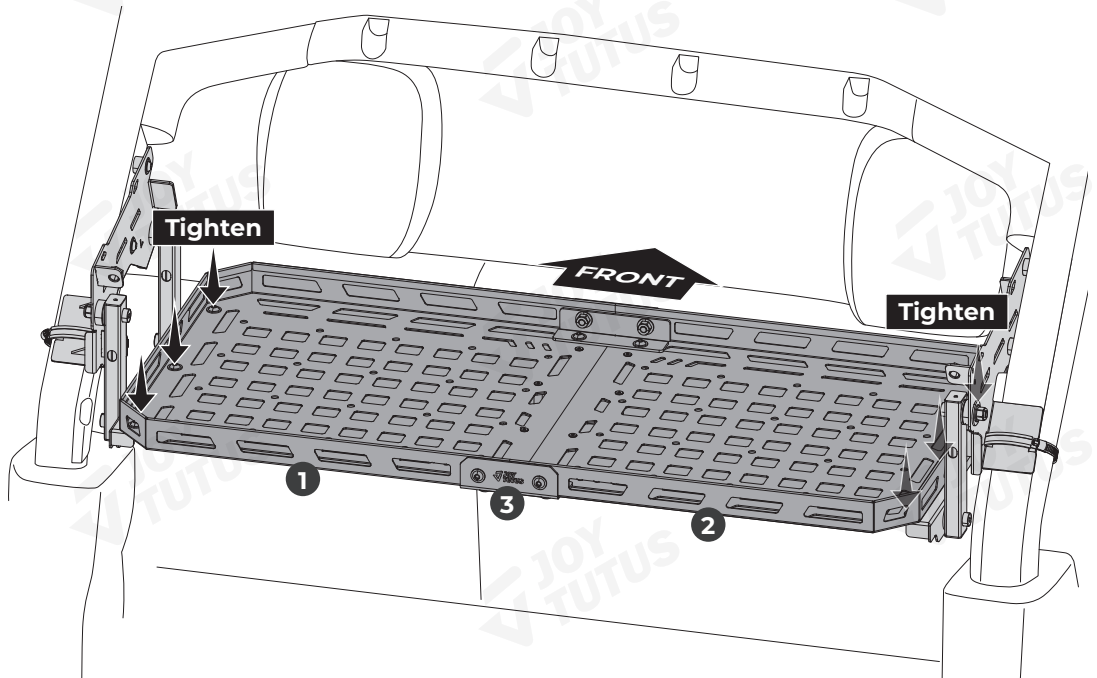
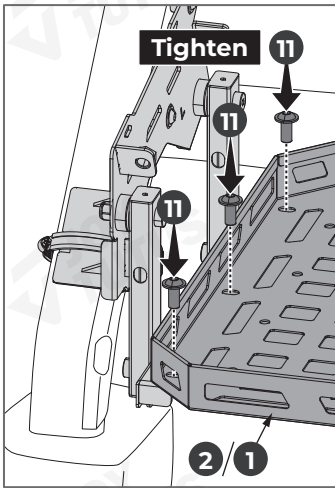
**11**   
M8\*18 Pan Head Hex Socket  
Screw with Washer **x6**

**16**   
L-shaped Hex Key  
(S=5) **x1**

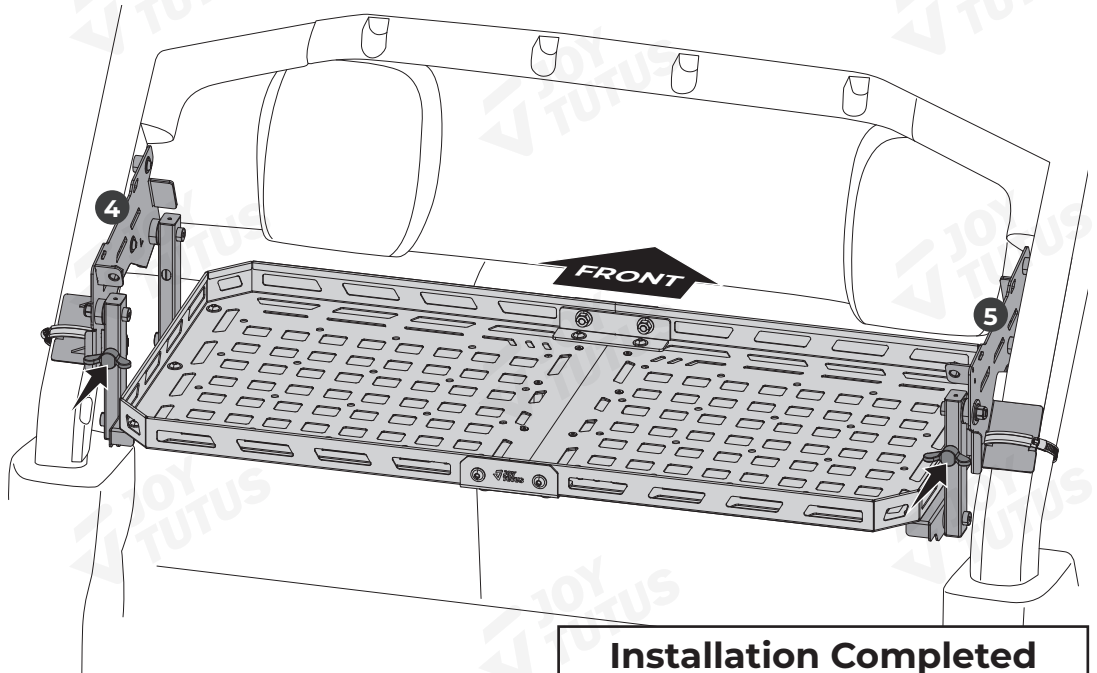
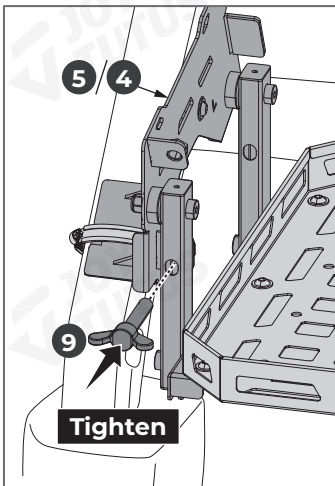
**NOTE:** Pay attention to the orientation of the logo.



## STEP 7-1



## STEP 7-2

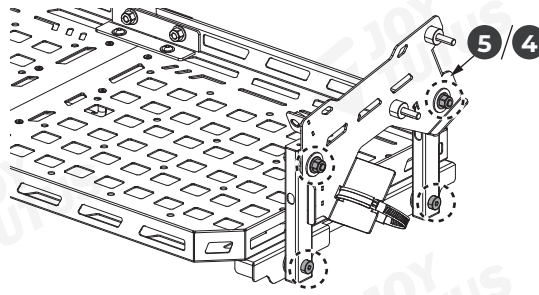


**Installation Completed**

## FUNCTION

### NOTE:

Before rotating the storage rack, try turning it first. If it feels too tight or too loose, use tools [16] and [18] to adjust the tightness of the rotating shafts on both brackets [4][5] to an appropriate level.



### Required tool:

**16** 

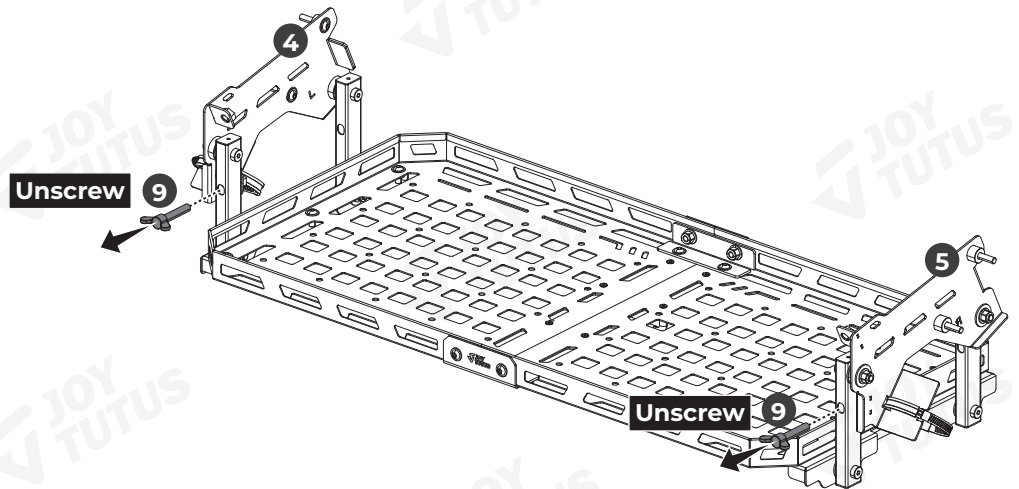
L-shaped Hex Key  
(S=5) x1

**18** 

Hex Socket Wrench  
(S=13) x1

## STEP 1

Unscrew and remove the two hand-tight bolts [9] as shown.

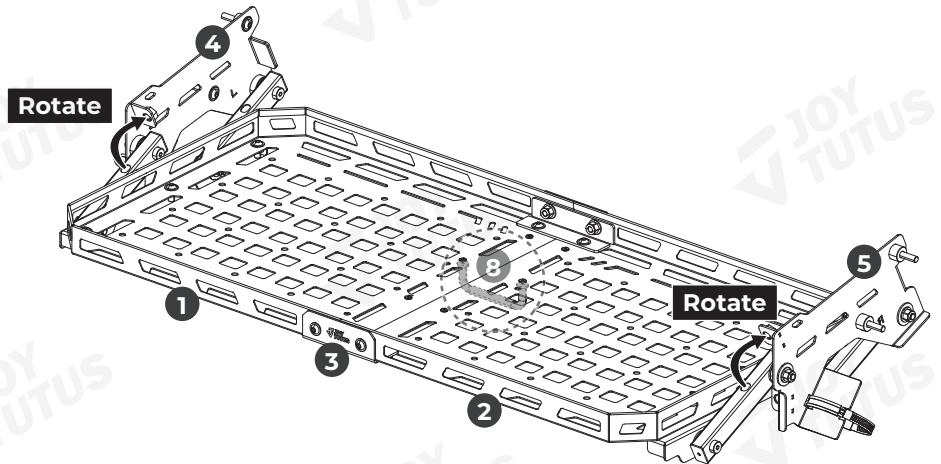


## STEP 2

With one hand, grip the handle [8] under the storage rack, and with the other hand, hold the outer edge of the rack.

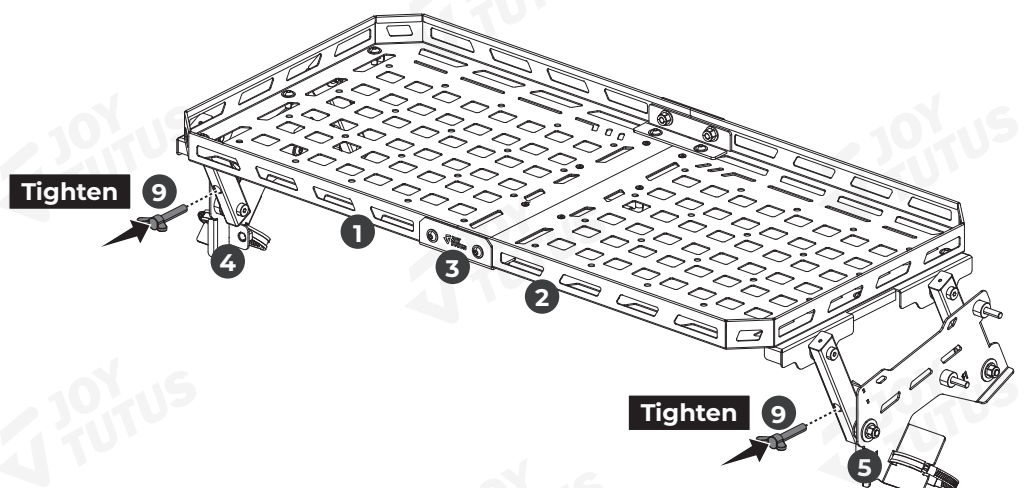
As shown, push the storage rack outward and rotate it clockwise with upward force until the connecting rods hit the stopper plate.

(Note: This step requires some effort. When the two rods become nearly horizontal, push the storage rack upward with both hands.)



## STEP 3

Finally, re-tighten the hand-tight bolts [9] into the nuts on the upper stopper plate.



If you have any questions, please visit Joytutus website for quick response.

Web: [www.joytutus.com](http://www.joytutus.com)