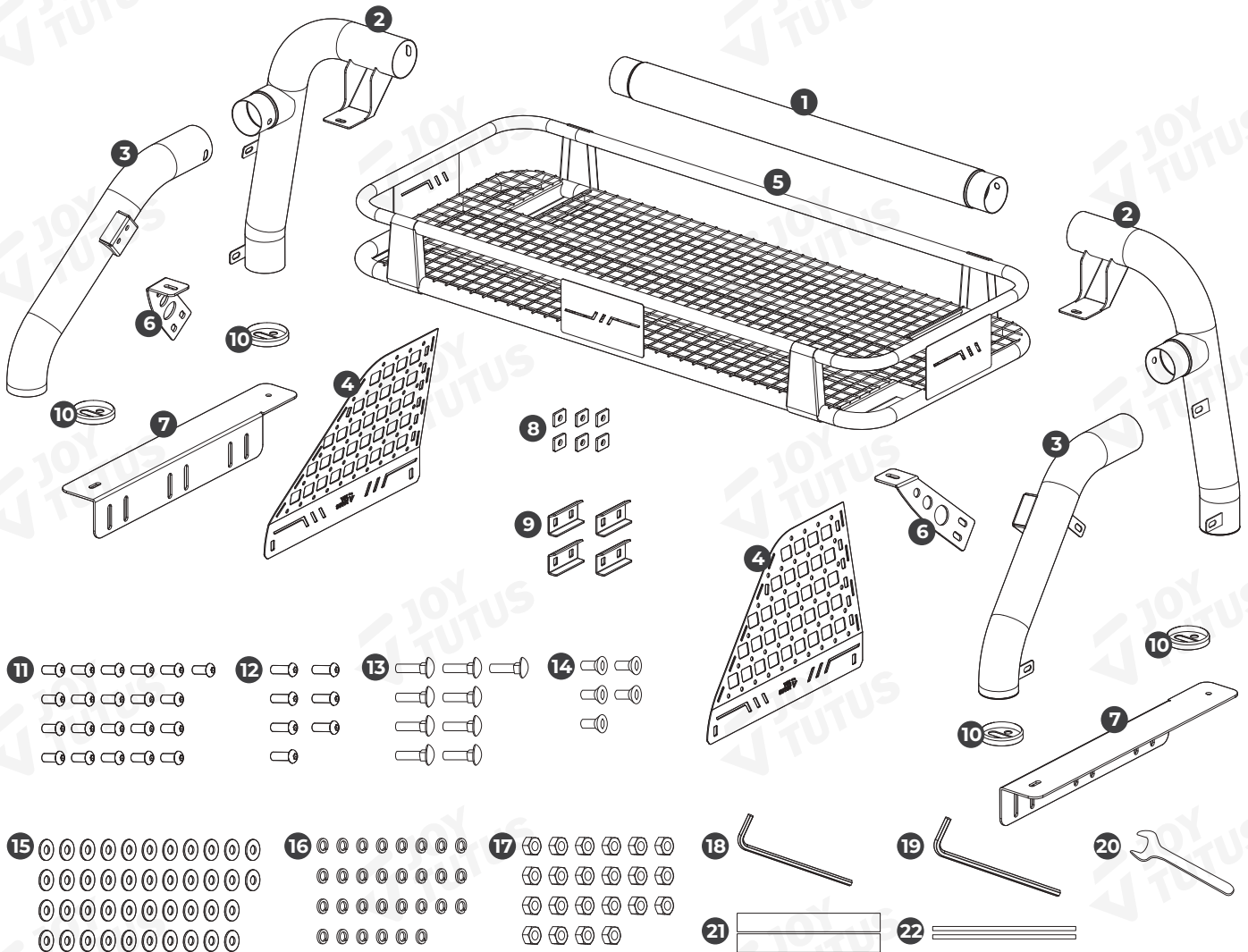


IMPORTANT

Before installation, please make sure that all accessories are ready. (As shown in the picture below)

PRODUCT INFORMATION

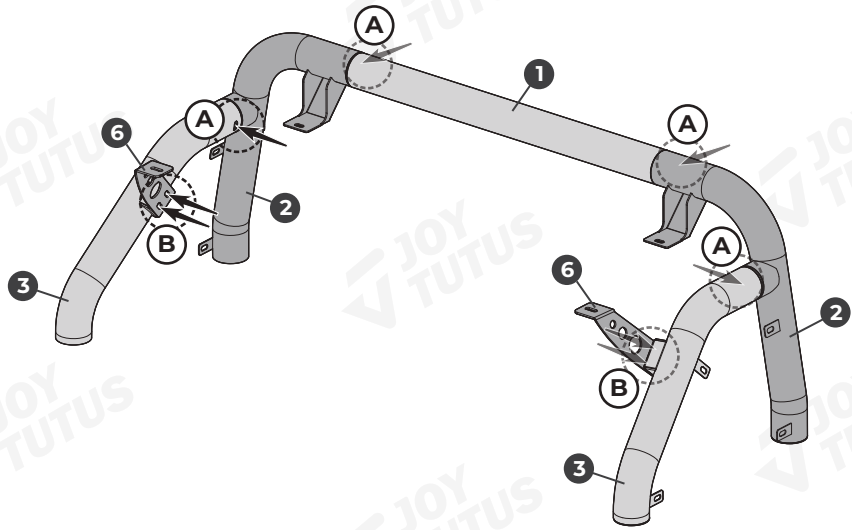
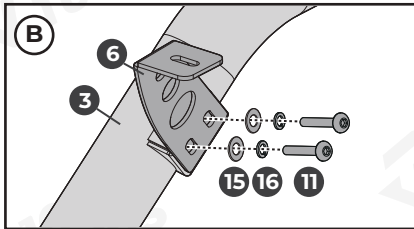
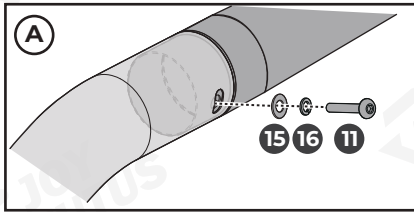


- | | | | | | |
|----|--|-----|----|--|-----|
| 1 | Straight pipe | x1 | 12 | Round head hex socket screw M8*30 | x7 |
| 2 | Front bent pipe (left and right parts) | x2 | 13 | Cart screw M8*40 | x9 |
| 3 | Rear bent pipe (left and right parts) | x2 | 14 | Countersunk hex socket screw M10*25 | x5 |
| 4 | Side panel (left and right parts) | x2 | 15 | Flat washer $\Phi 8.4 * \Phi 20 * T1.5$ | x42 |
| 5 | Luggage tray assembly | x1 | 16 | Spring washer M8 | x30 |
| 6 | Connector (left and right parts) | x2 | 17 | Nut M8 | x22 |
| 7 | Loading code (left and right parts) | x2 | 18 | L-shaped hex key S=5mm | x1 |
| 8 | Nut plate | x6 | 19 | L-shaped hex key S=6mm | x1 |
| 9 | Clamp | x4 | 20 | Open-end wrench 13mm | x1 |
| 10 | Gantry frame $\Phi 76$ rubber washer | x4 | 21 | Single-sided adhesive sponge strip 630*65*T3 | x2 |
| 11 | Round head hex socket screw M8*25 | x21 | 22 | Single-sided adhesive sponge strip 510*28*T3 | x2 |

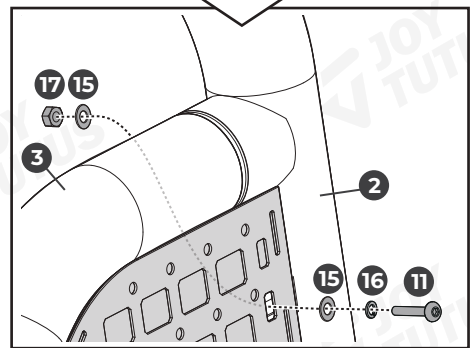
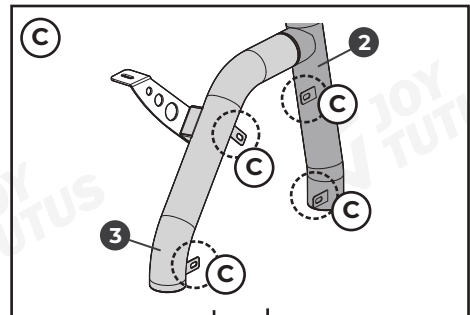
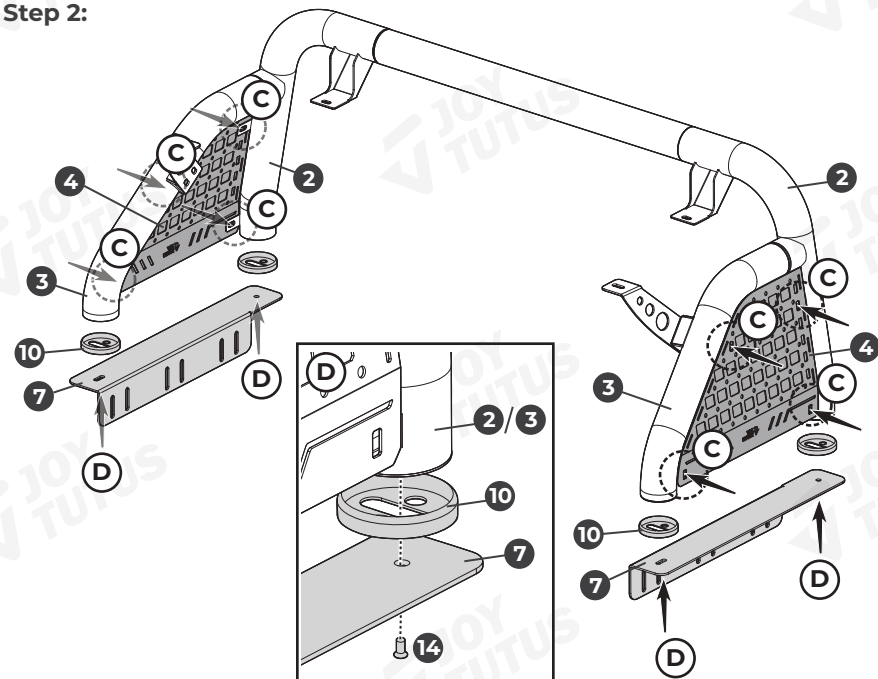
✓ INSTALLATION METHOD

ASSEMBLY

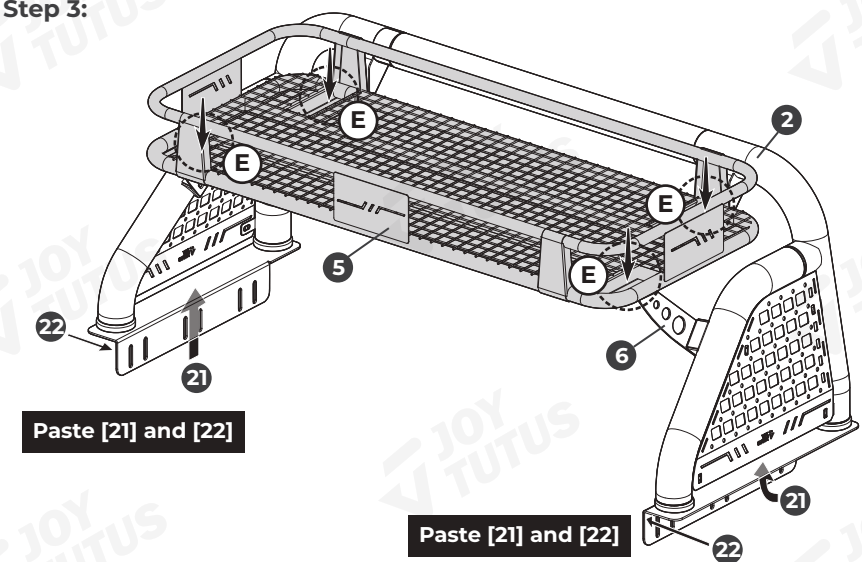
Step 1:



Step 2:

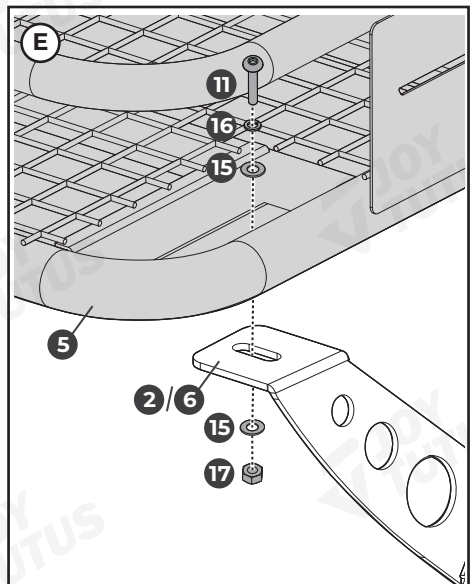


Step 3:



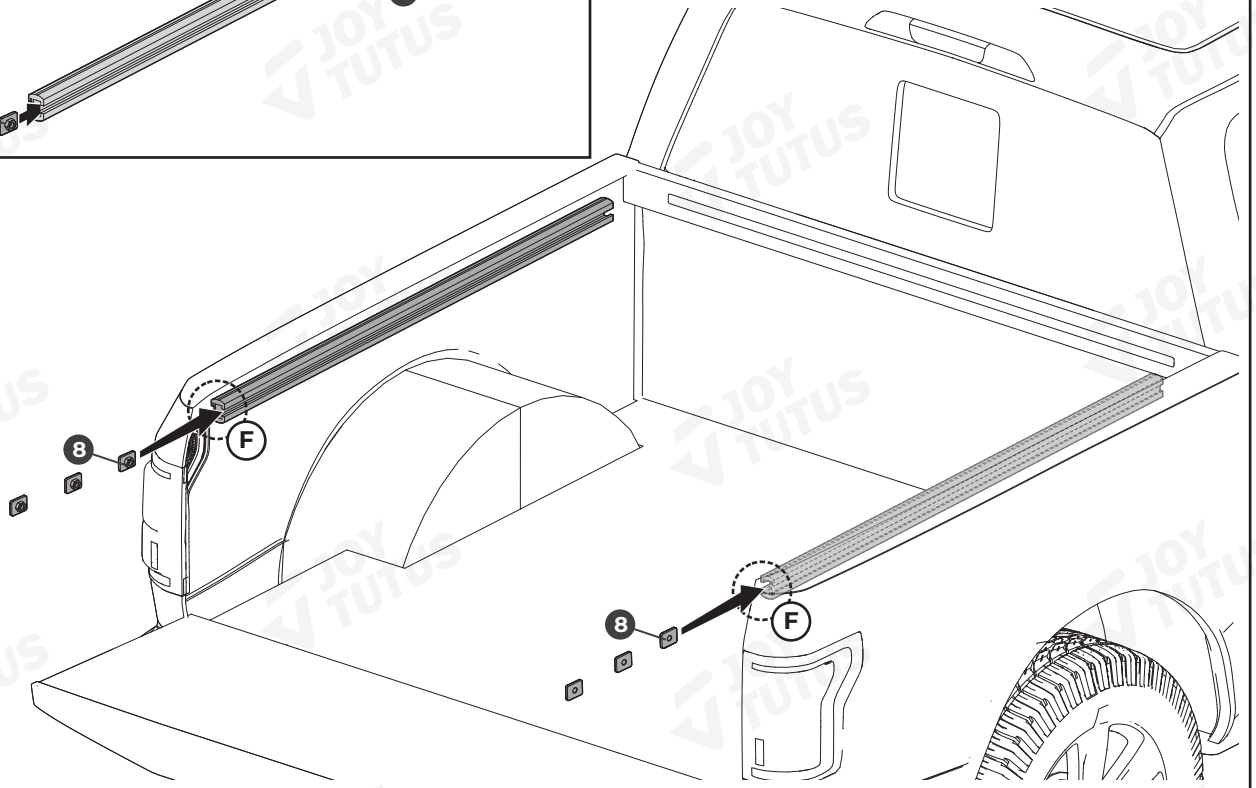
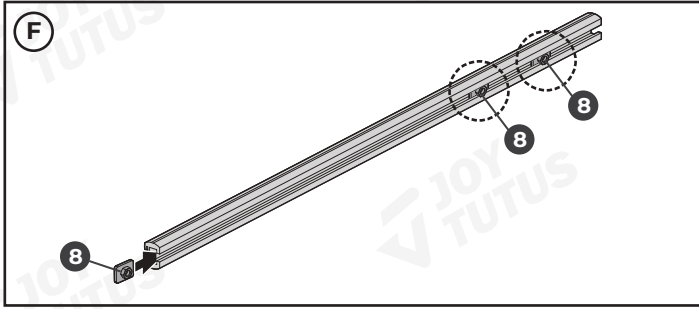
Paste [21] and [22]

Paste [21] and [22]

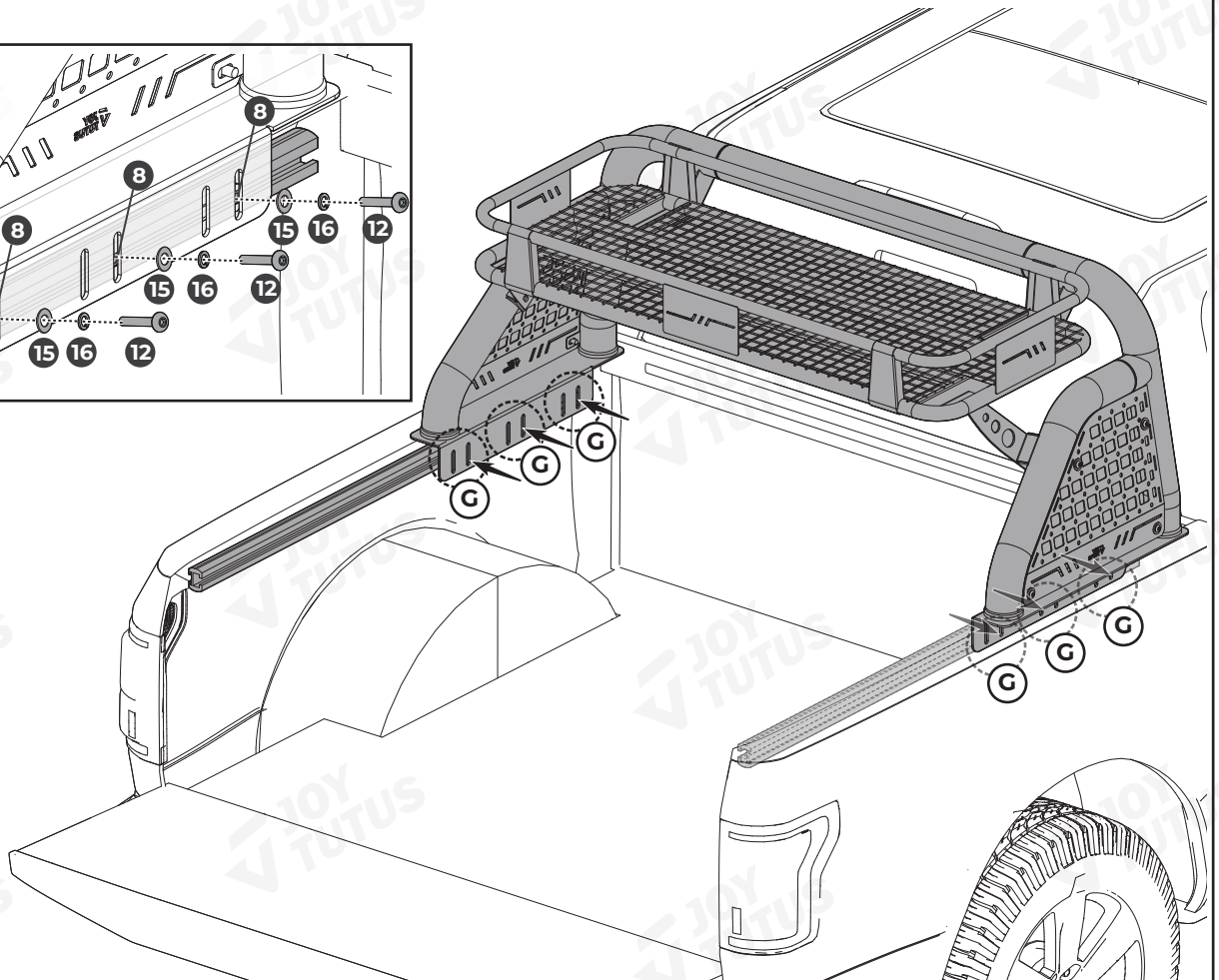
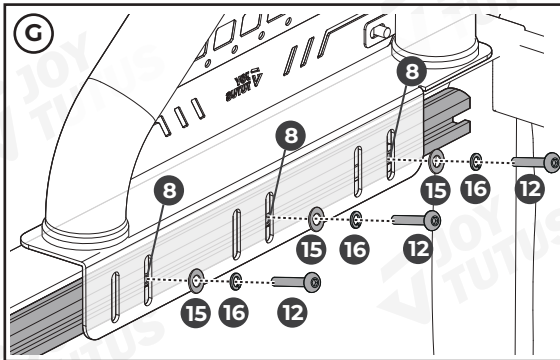


INSTALLATION (If the vehicle has a sliding rail)

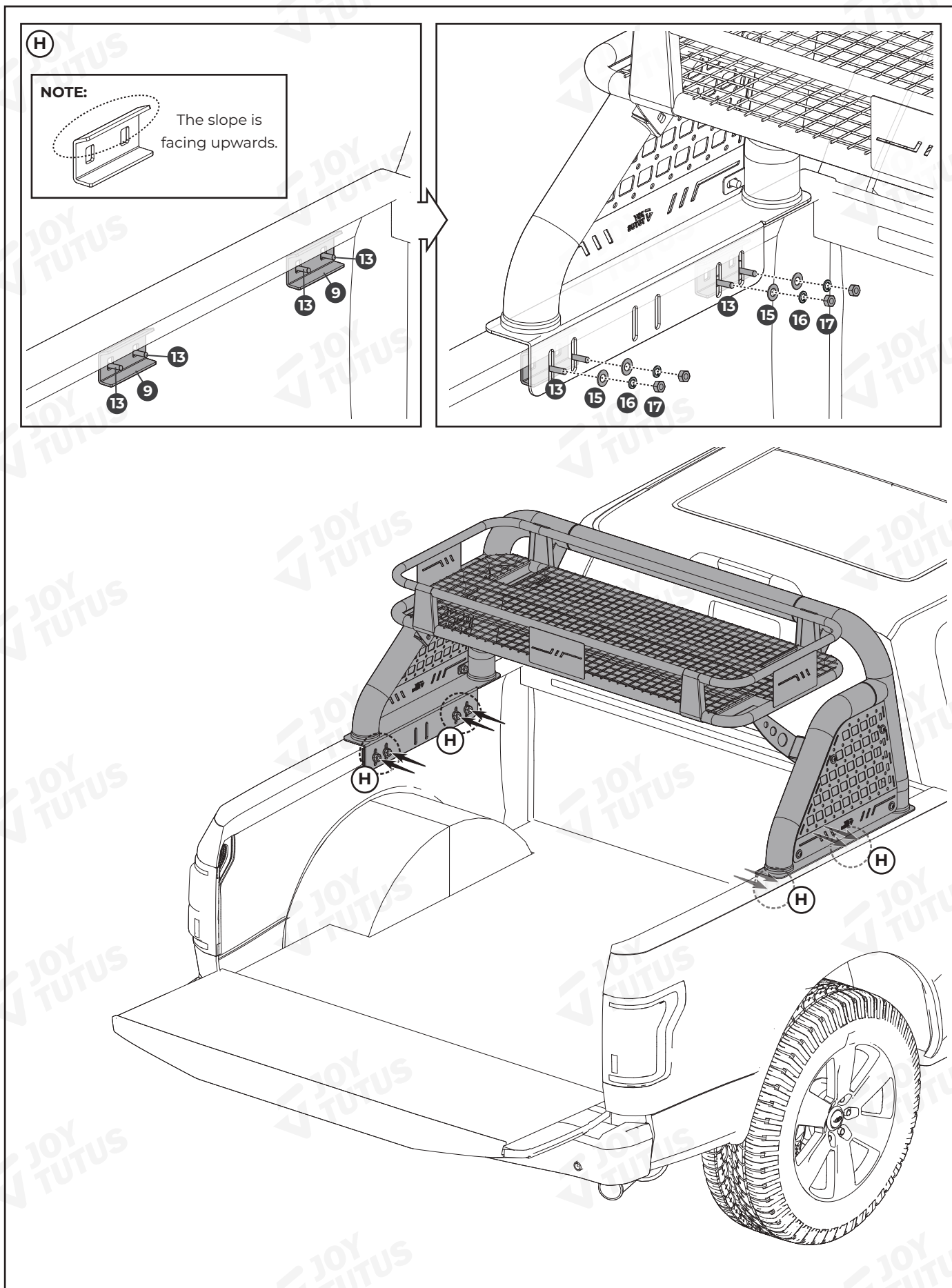
Step 1:



Step 2:



INSTALLATION (If the vehicle does not have a sliding rail)



If you have any questions, please visit Joytutus website or email for quick response.
Web: www.joytutus.com
Email: Service@joytutus.com