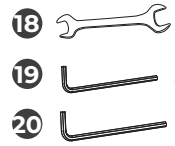
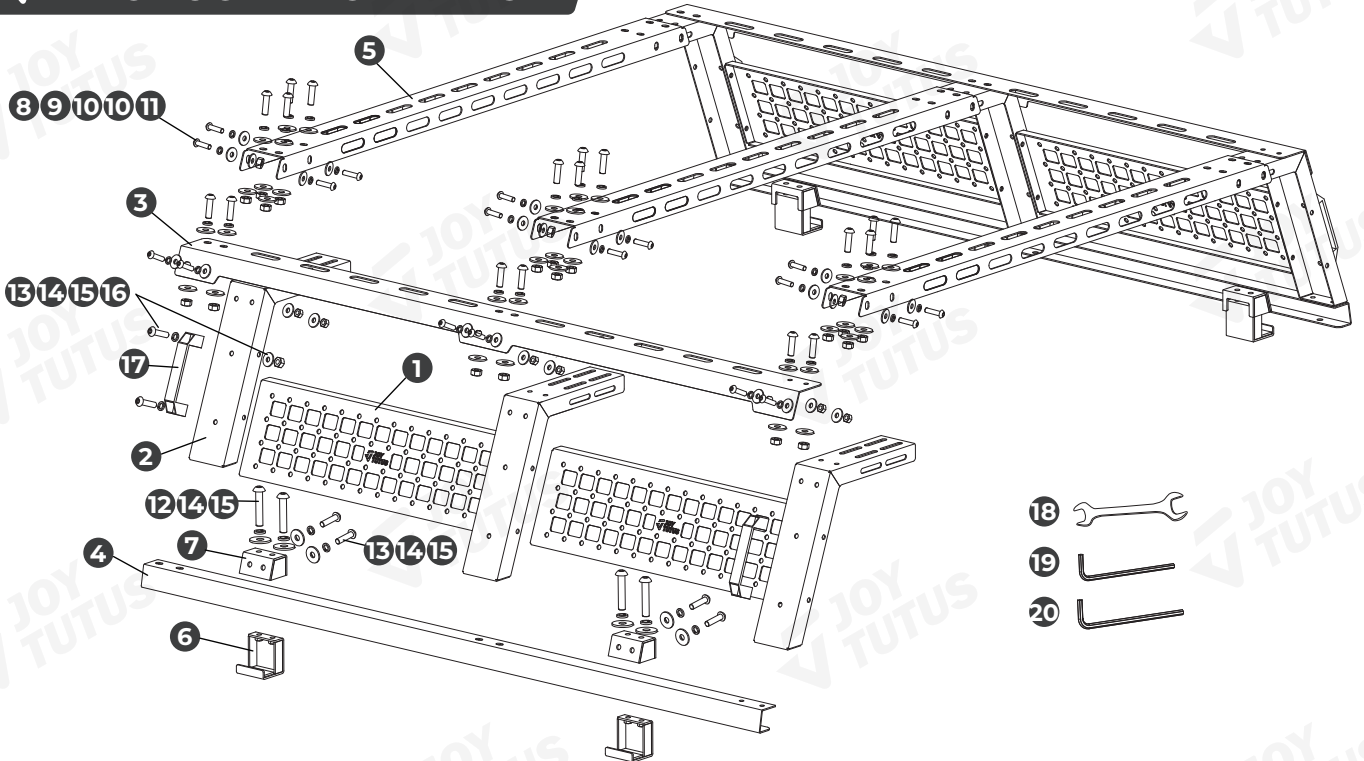


IMPORTANT

Before installation, please make sure that all accessories are ready. (As shown in the picture below)

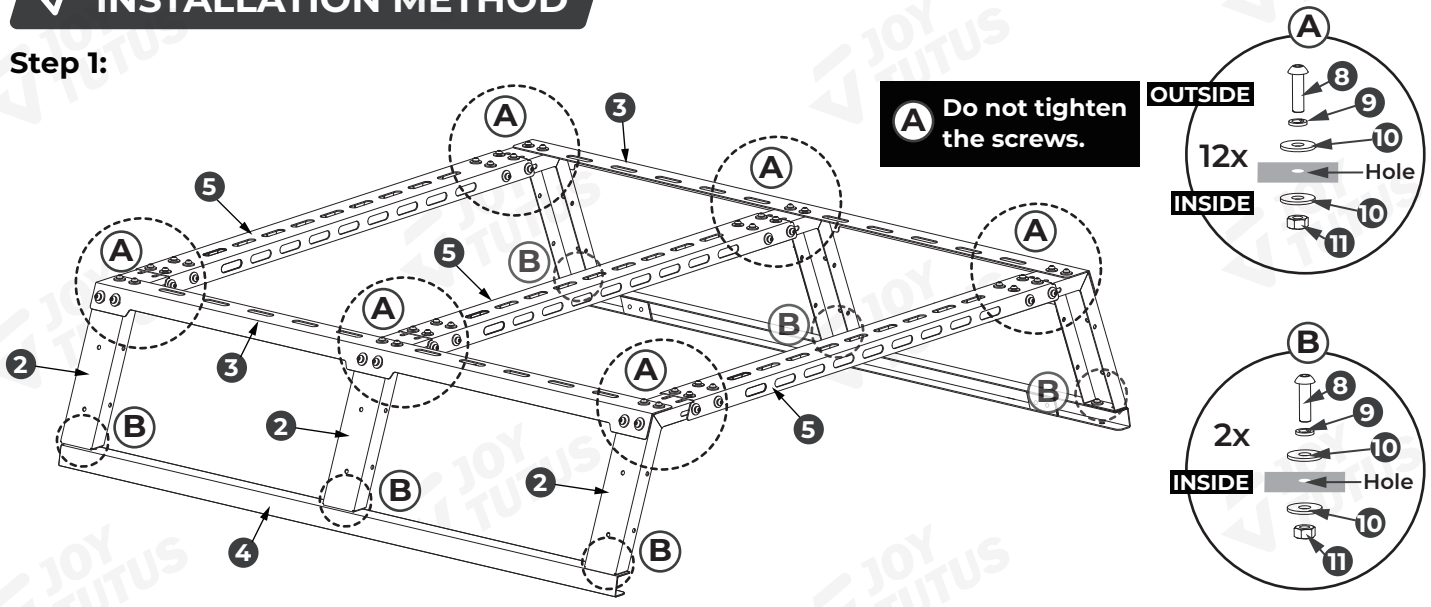
PRODUCT INFORMATION



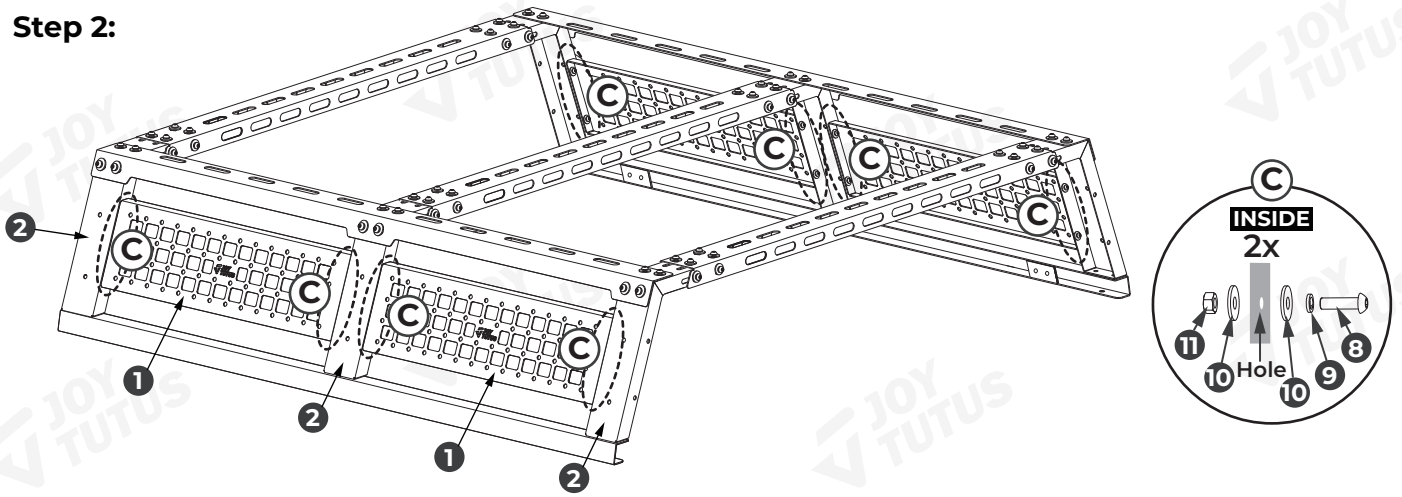
- | | | | | | |
|-----------------------------|----|--|------|-------------------------------|-----|
| 1 Side panel | x4 | 8 Internal hexagon screw M6*16 | x103 | 15 M8 flat washer | x34 |
| 2 Corner bar | x6 | 9 M6 spring washer | x103 | 16 M8 nut | x14 |
| 3 Side bar | x2 | 10 M6 flat washer | x203 | 17 Cabinet handle | x4 |
| 4 Bottom bar | x2 | 11 M6 nut | x103 | 18 Open end wrench | x1 |
| 5 Horizontal bar | x3 | 12 Internal hexagon screw M8*40 | x10 | 19 M6 hexagonal wrench | x1 |
| 6 Upper loading code | x4 | 13 Internal hexagon screw M8*20 | x22 | 20 M8 hexagonal wrench | x1 |
| 7 Lower loading code | x4 | 14 M8 spring washer | x30 | | |

INSTALLATION METHOD

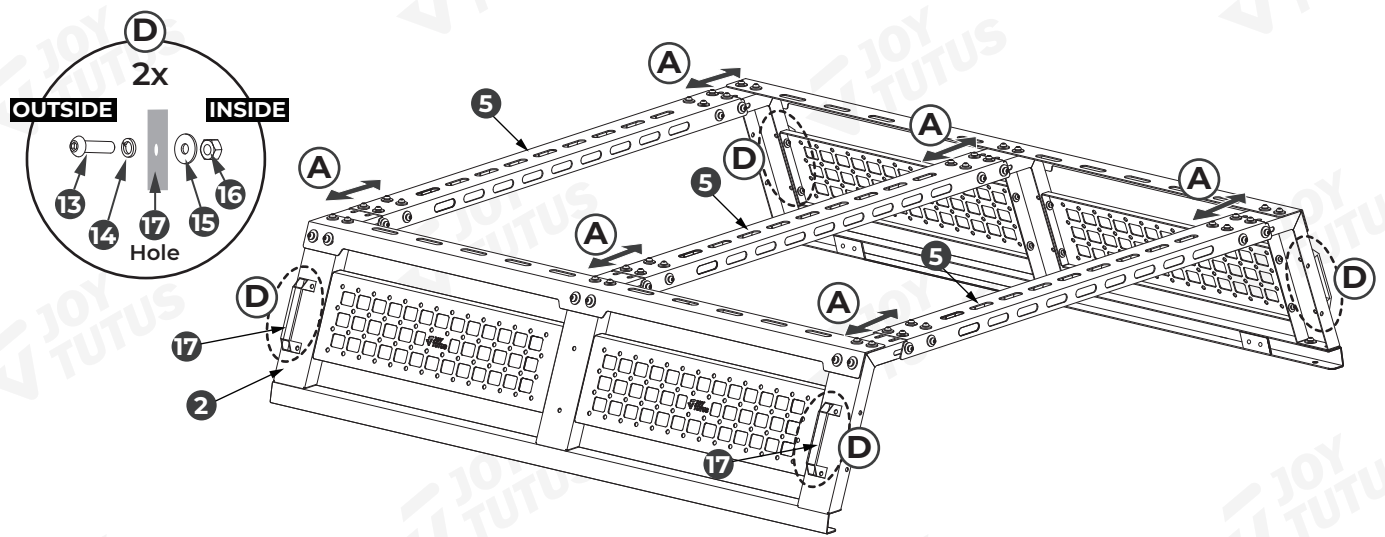
Step 1:



Step 2:



Step 3: **A** Adjust the product width to match the width of the bucket, and finally tighten the screws.



Step 4:

