

IMPORTANT

Before installation, please make sure that all accessories are ready. (As shown in the picture below).

CUSTOMER SUPPORT

JOYTUTUS help center:

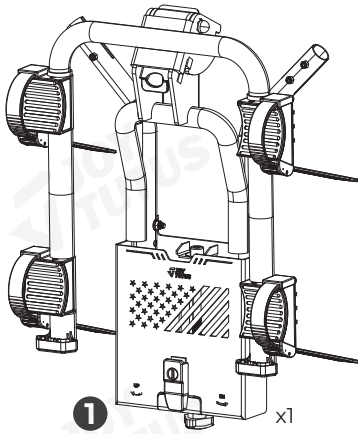


Contact us by email:
service@joytutus.com

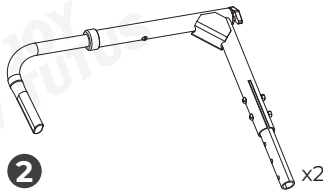


<http://support.joytutus.com>

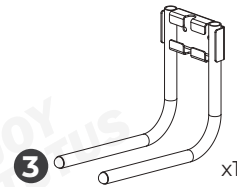
PRODUCT INFORMATION



1 Bicycle Frame



2 Top Hook



3 Bottom Hook



4 Hand-tightened nut



5 Screw



6 Ratchet Strap



7 Short Webbing



8 Key



9 Allen Wrench

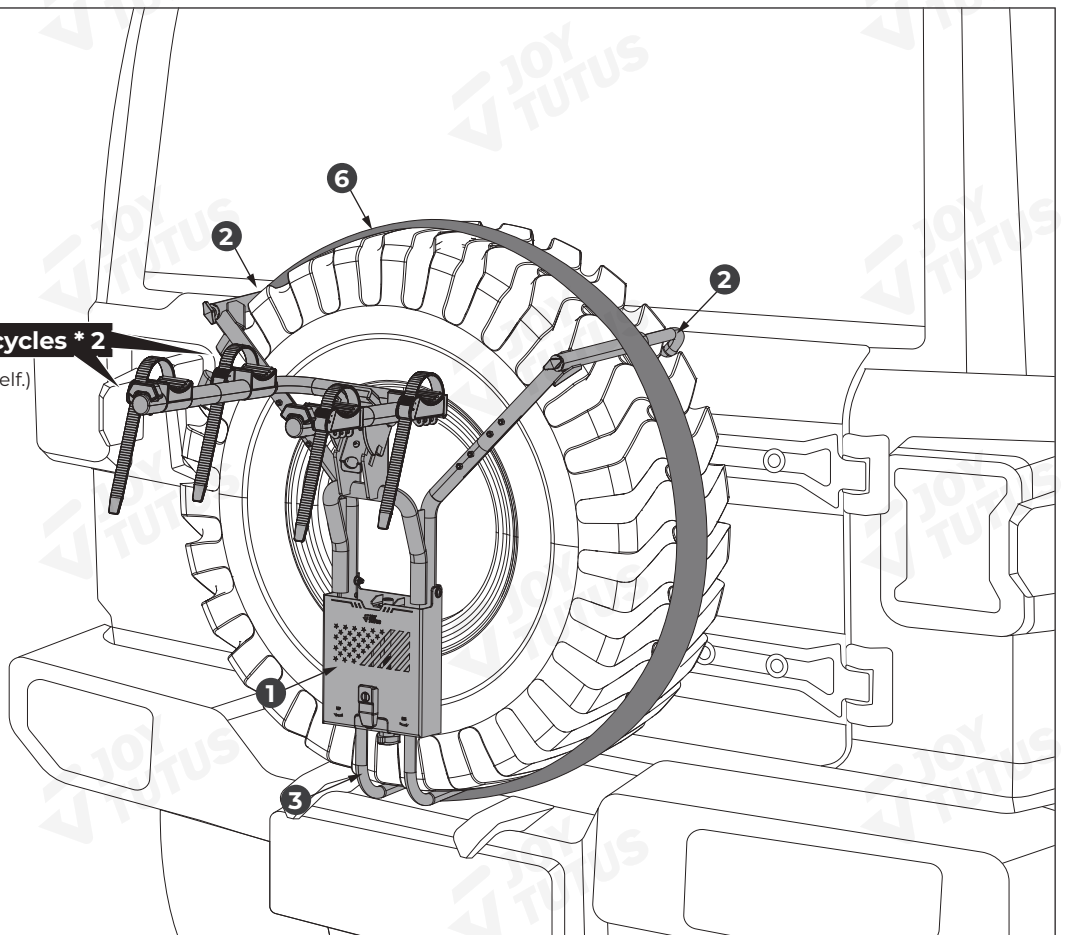
INSTALLATION COMPLETION DIAGRAM

Installation Guide



You can put in your own bicycles * 2

(Bicycle need to be prepared by yourself.)

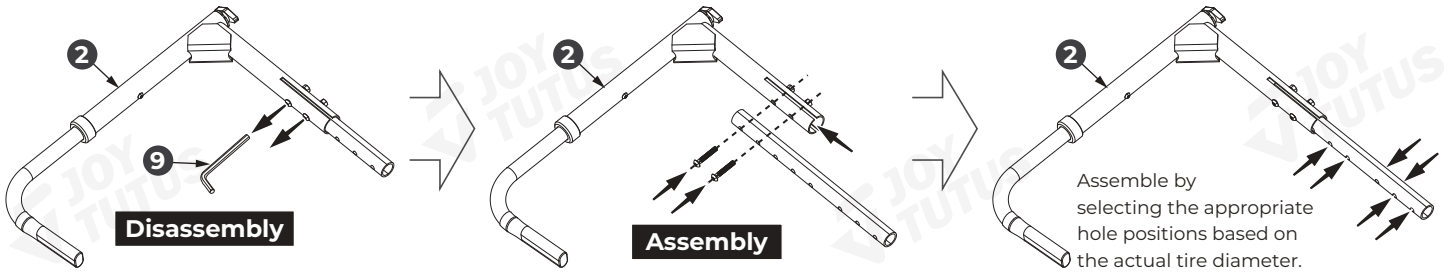


✓ BEFORE YOU BEGIN

(1) Minimum state: Fits tires with diameters from 29" to 34". (No need to disassemble **(2)**)

(2) Maximum state: Fits tires with diameters from 35" to 37". (Requires disassembling and reassembling **(2)**)

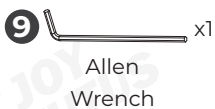
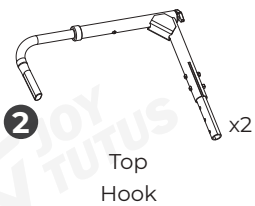
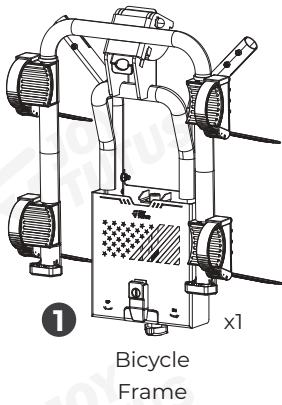
When your tire diameter is 35" to 37":



✓ INSTALLATION TIPS

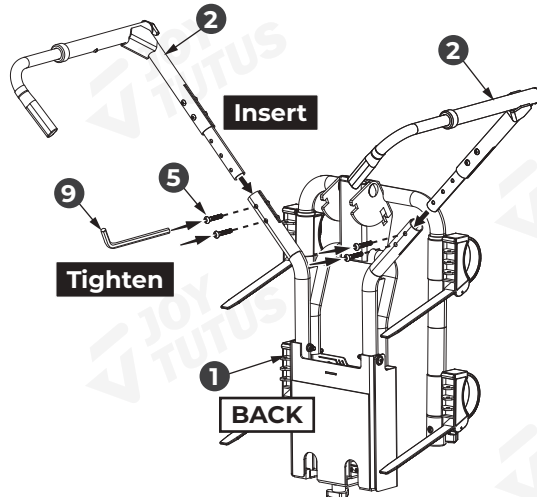
STEP 1

Required accessories:

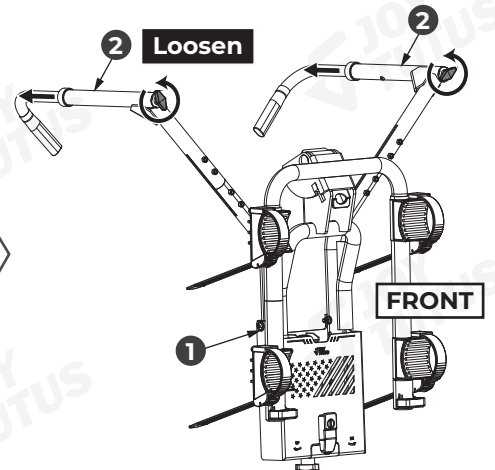


STEP 1-1

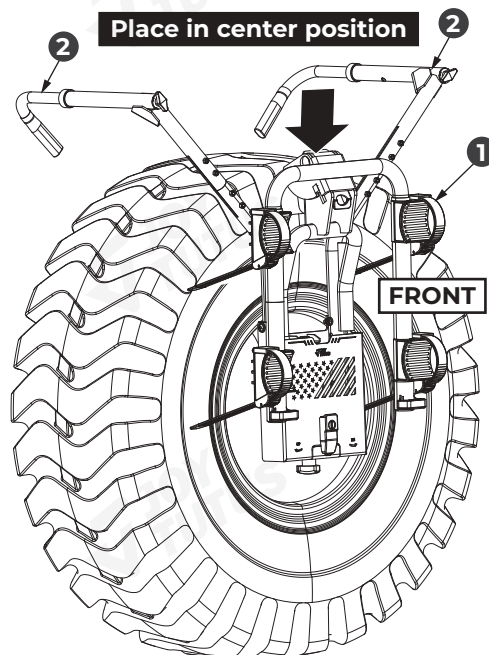
Select the appropriate hole position for installation.



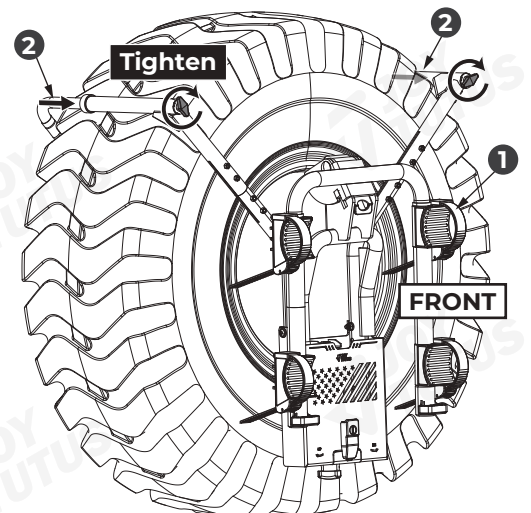
Adjust **(2)** to create a space larger than the tire thickness.



STEP 1-2

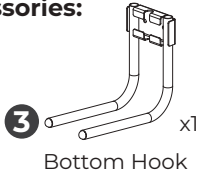


Continue until **(2)** securely grips the tire.

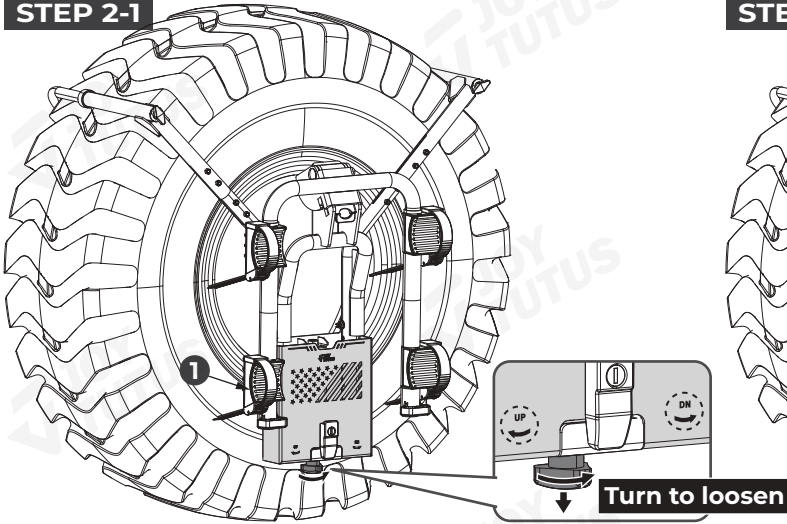


STEP 2

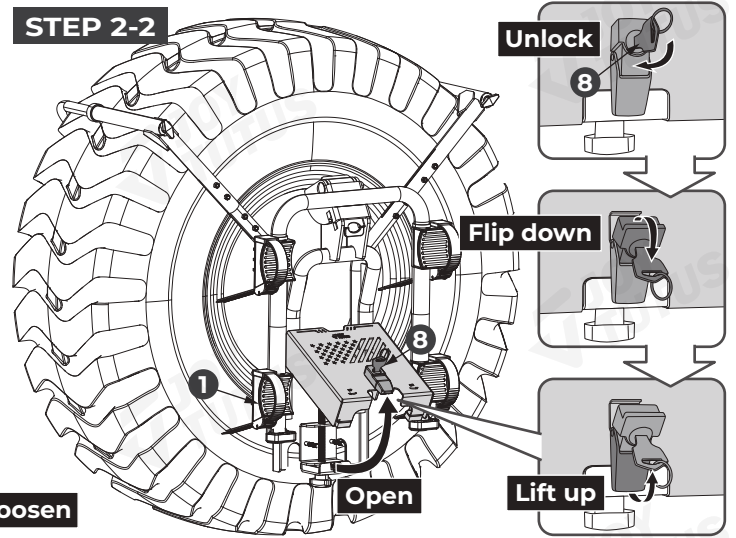
Required accessories:



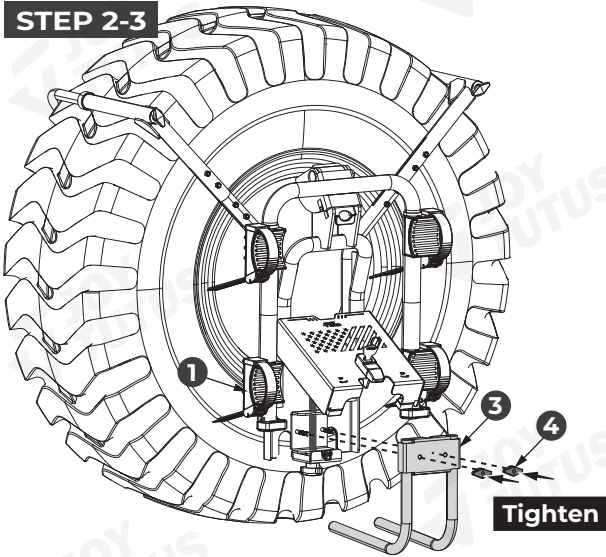
STEP 2-1



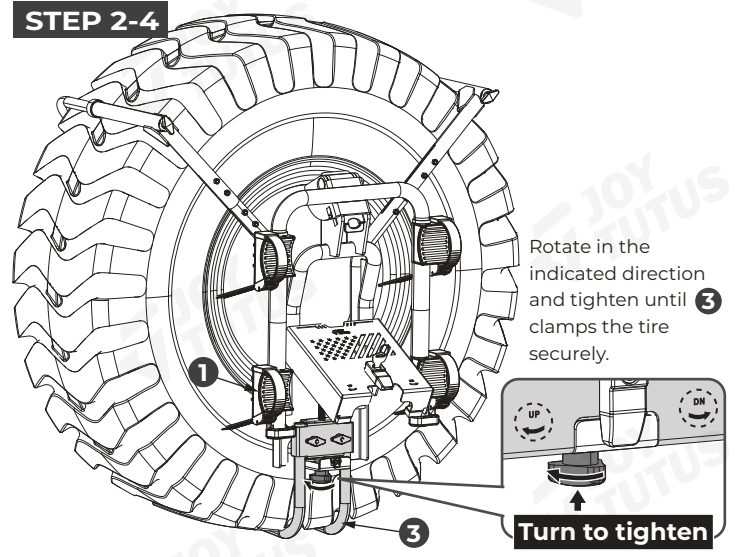
STEP 2-2



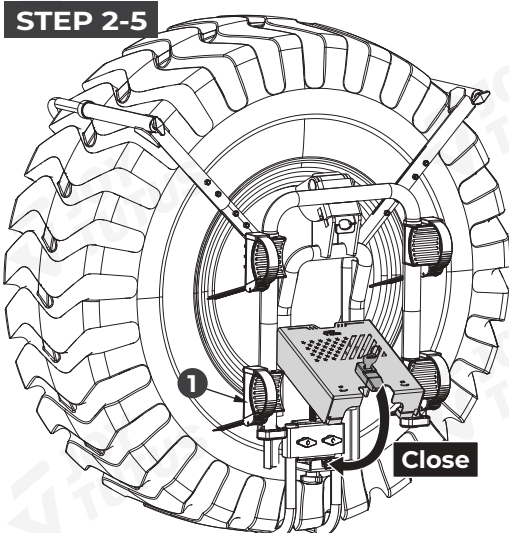
STEP 2-3



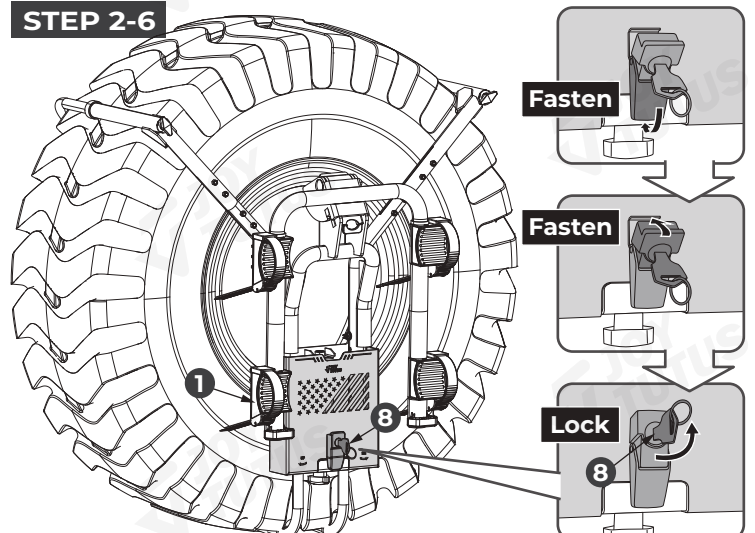
STEP 2-4



STEP 2-5



STEP 2-6

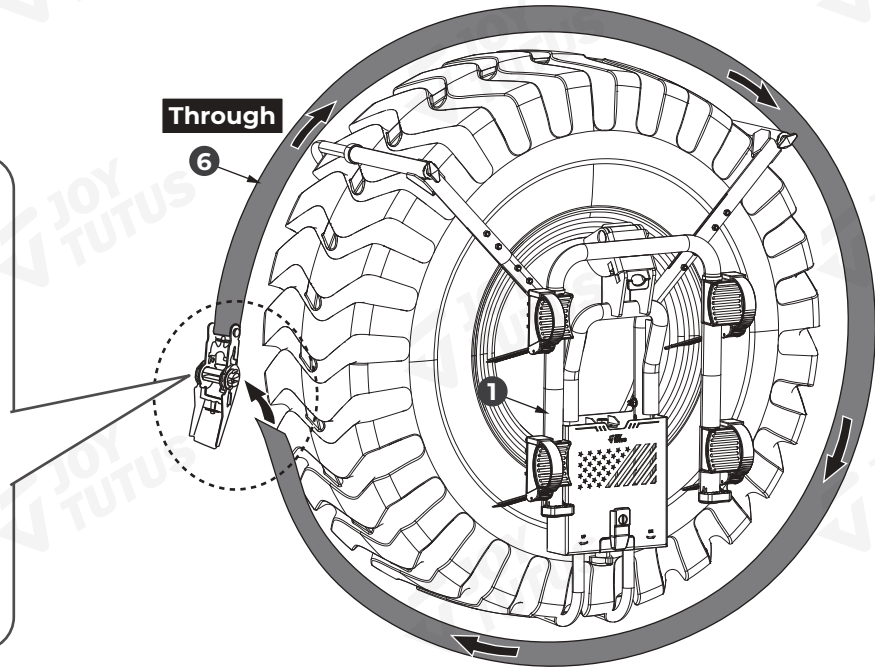
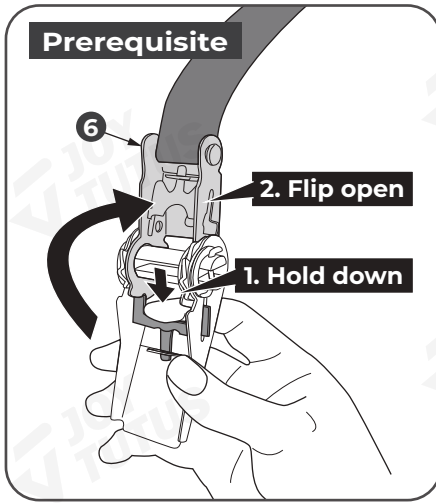


STEP 3

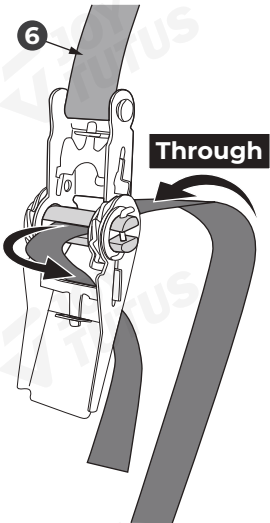
Required accessories:



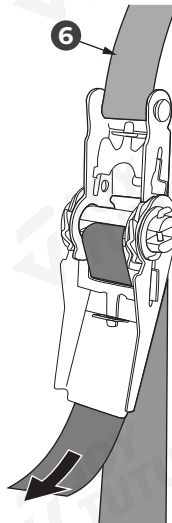
STEP 3-1 Fix it by wrapping the tire around with 6.



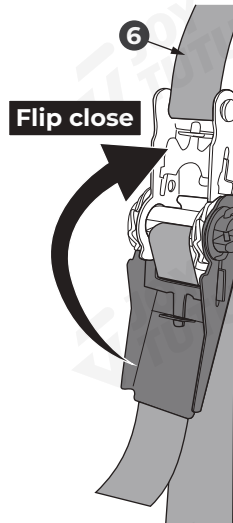
STEP 3-2



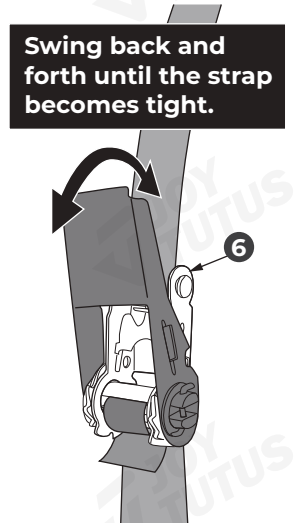
STEP 3-3



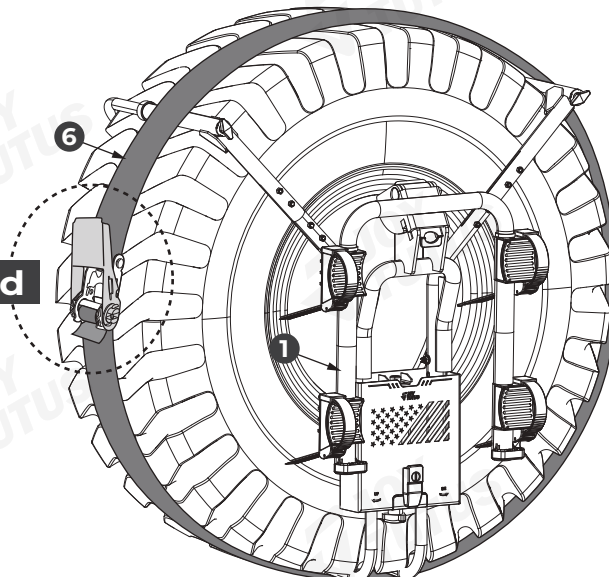
STEP 3-4



STEP 3-5

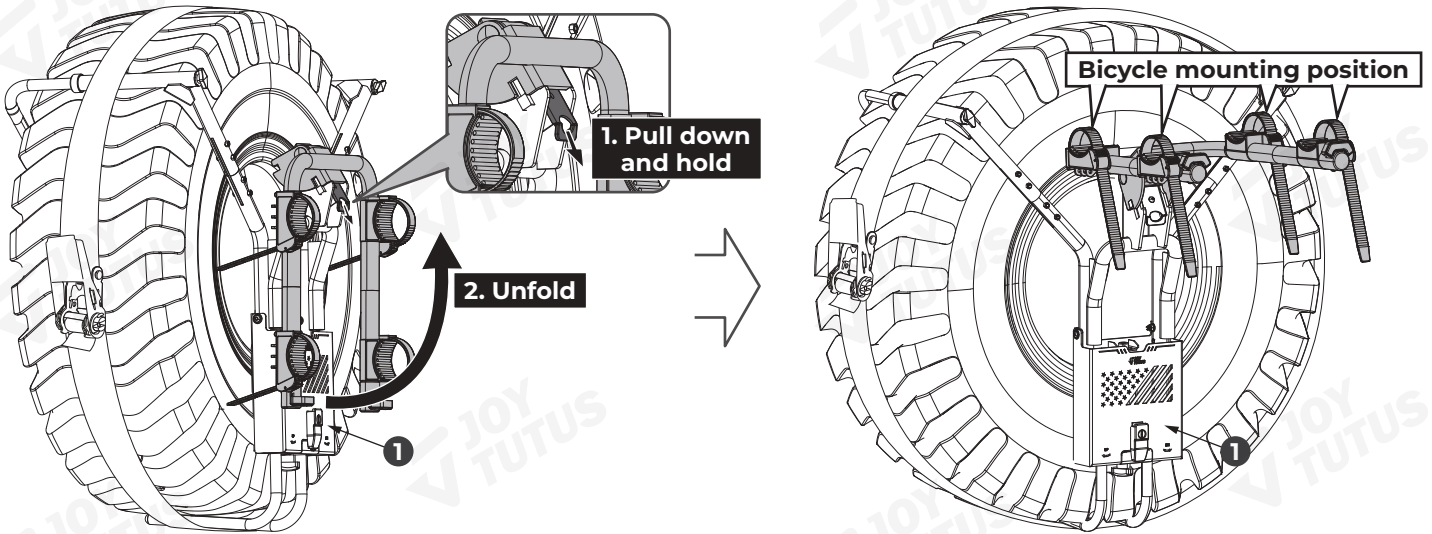


Installation completed



✓ BICYCLE STAND USAGE TIPS

STEP 1



STEP 2

Suitable bicycle specifications for placement:

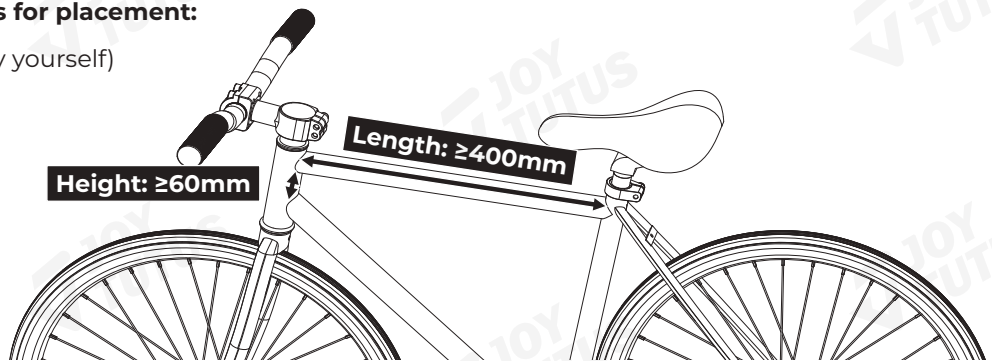
(Bicycle need to be prepared by yourself)

Required accessories:

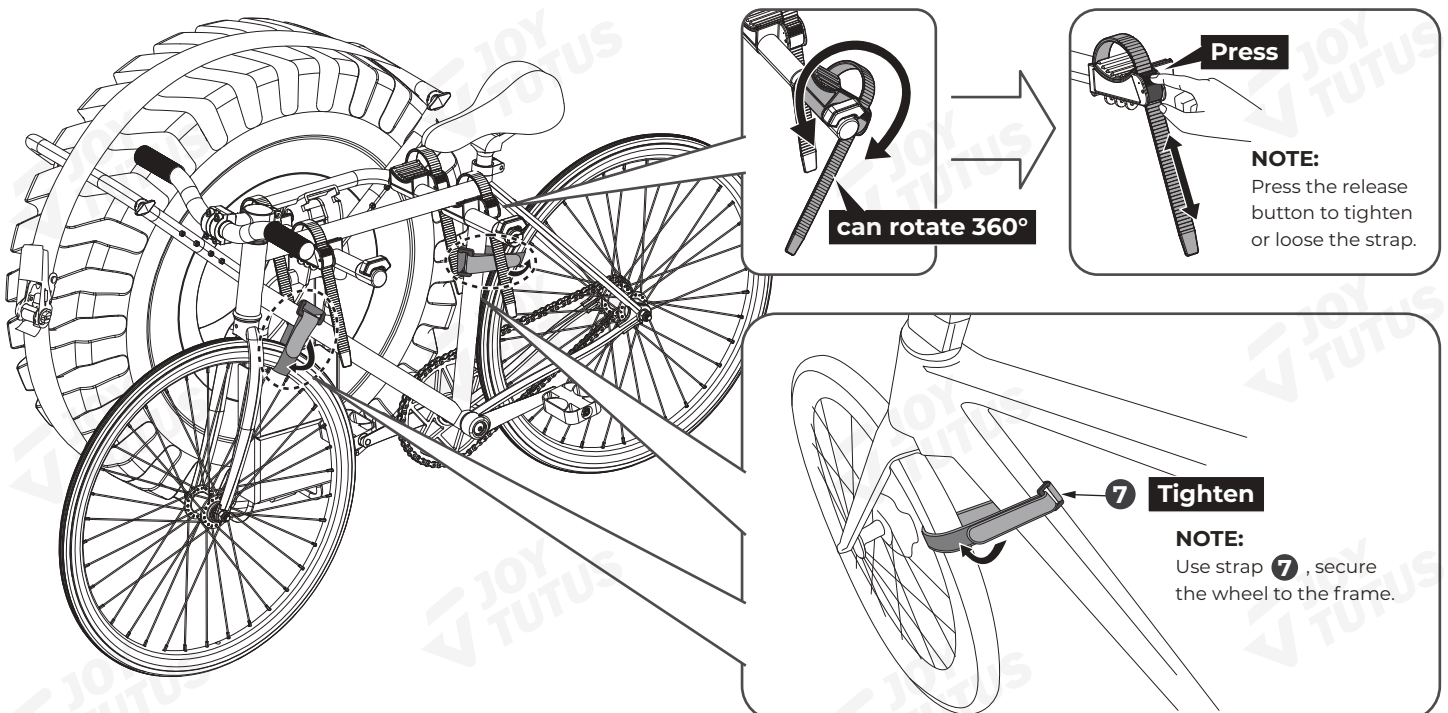
7 Short Webbing x2

Height: $\geq 60\text{mm}$

Length: $\geq 400\text{mm}$



1) Place one bicycle

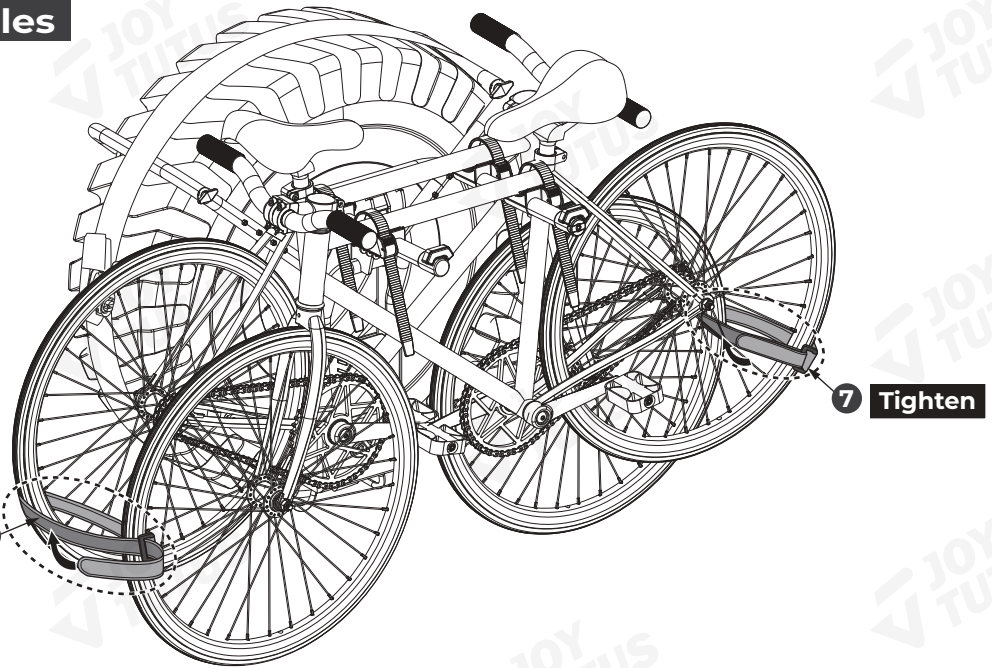


2) Place two bicycles

NOTE:

Use strap **7** to secure the bicycle until the frame no longer moves.

Tighten 7

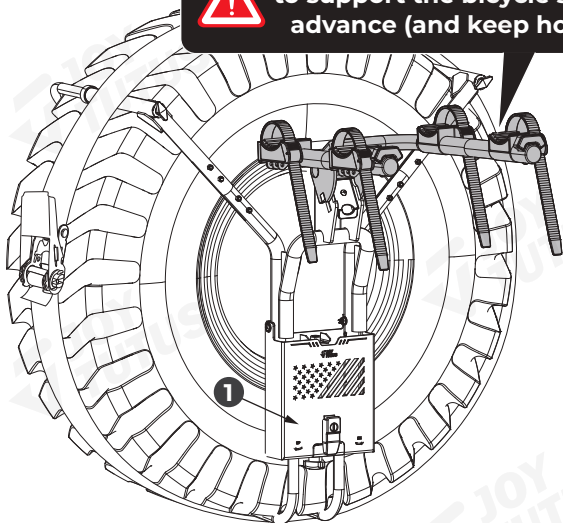


✓ BICYCLE STAND STORAGE TIPS

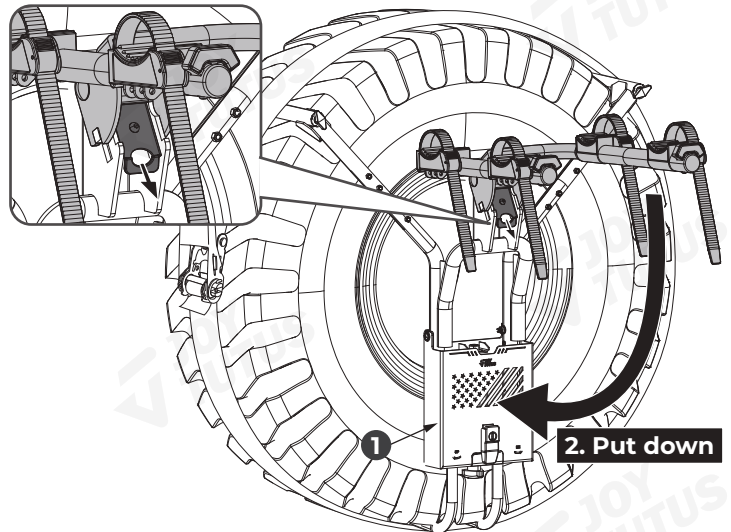
STEP 1



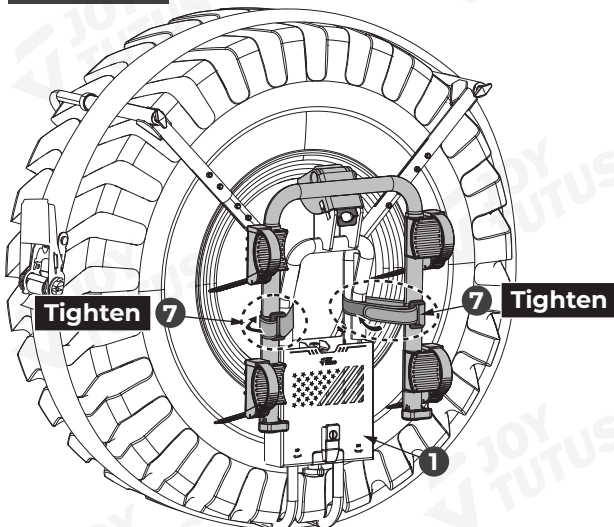
Use your hand to support the bicycle stand in advance (and keep holding)



STEP 2



STEP 3



Required accessories:

7  x2
Short Webbing

NOTE:

Use two **7** to secure the bicycle stand on **1** and the main body bracket on **1** together to prevent shaking.