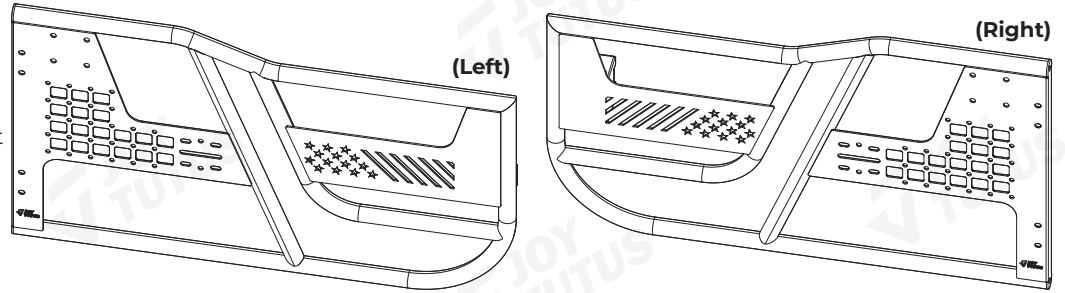


IMPORTANT

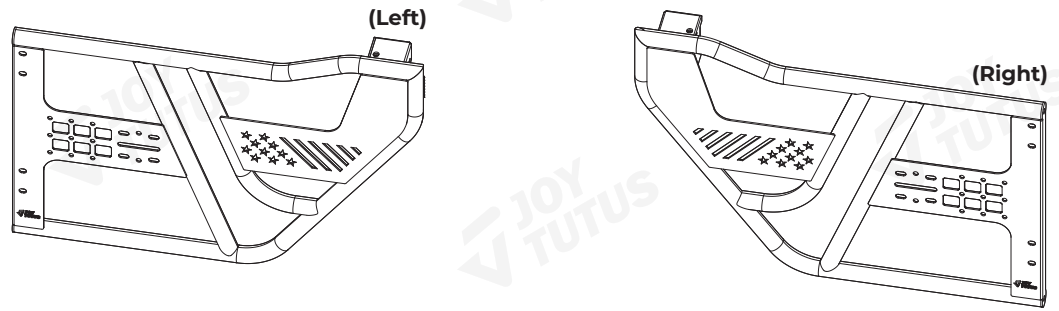
Before installation, please make sure that all accessories are ready.
(As shown in the picture below).

PRODUCT INFORMATION

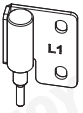
1 Front Half Door - Left and Right
x1



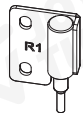
2 Rear Half Door - Left and Right
x1



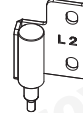
3 Long Axle Plate L1
x2



4 Long Axle Plate R1
x2



5 Short Axle Plate L2
x2



6 Short Axle Plate R2
x2



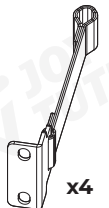
7 Rearview Mirror Bracket L
x1



8 Rearview Mirror Bracket R
x1



9 Limit Webbing 260mm
x4



10 M8 x 25 Hex Socket Button Head Screw
x16



11 #8 Spring Washer
x16



12 #8 x 16 x 1 Flat Washer
x16



13 M8 Flange Nut
x16



Customer Support

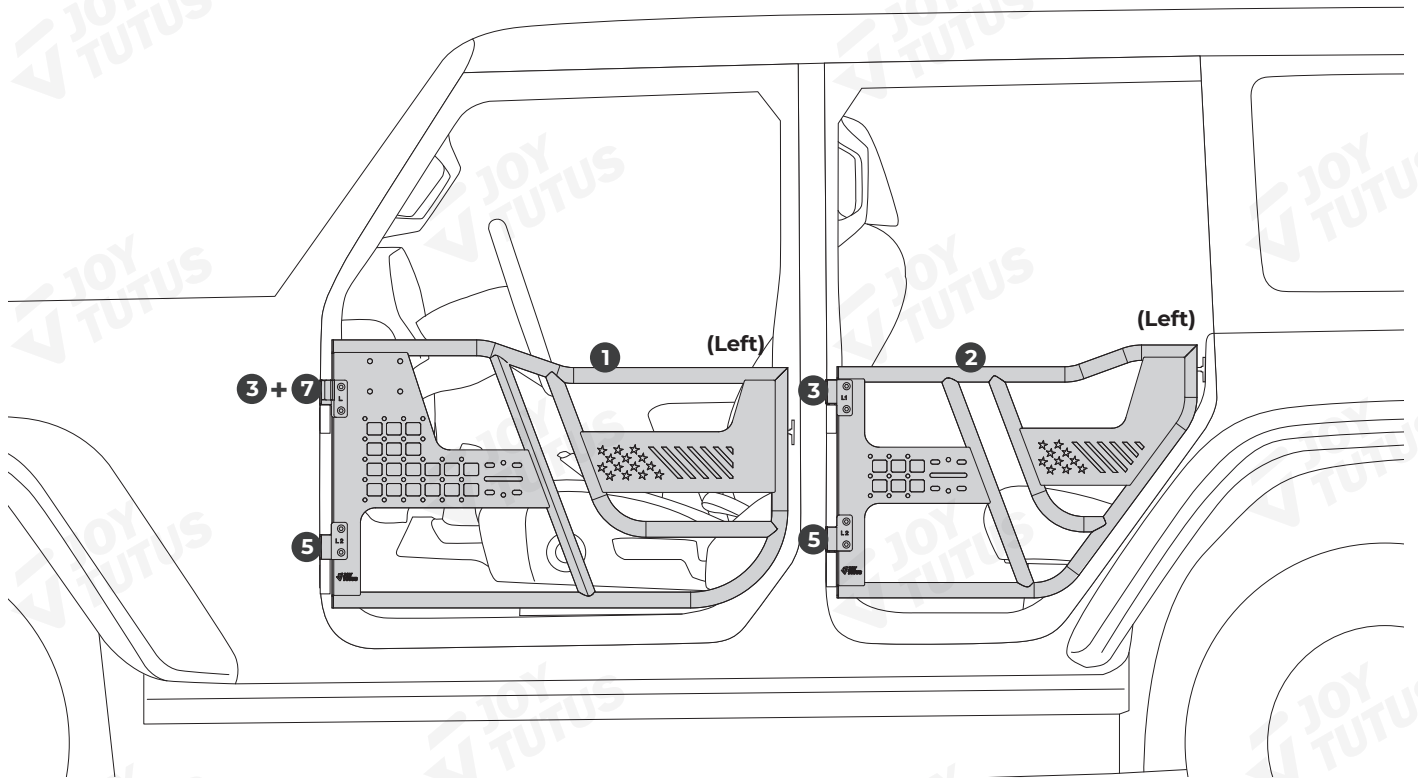


Contact us by email: service@joytutus.com

JOYTUTUS help center:
<http://support.joytutus.com>



✓ INSTALLATION COMPLETION DIAGRAM

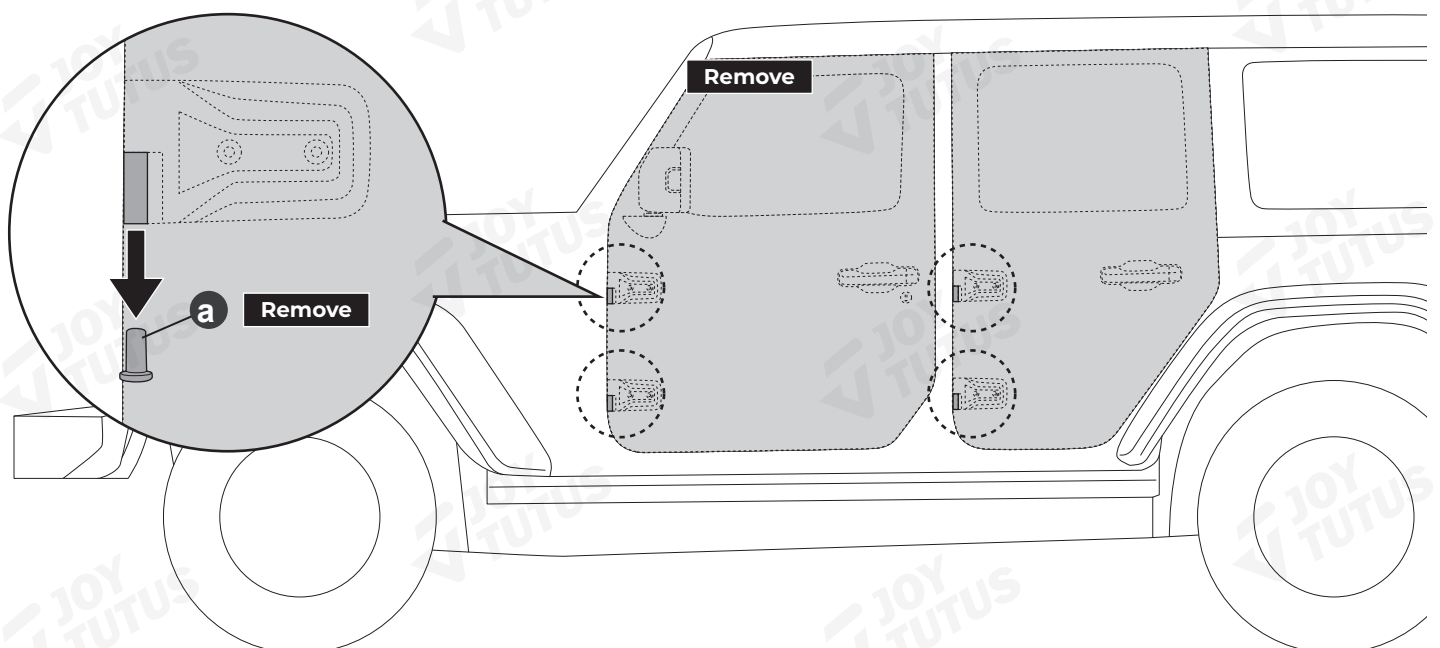


✓ PREPARATION

Here are the installation steps applicable for 4-door vehicle models.

Remove the original screw [a] and remove the front and rear doors.

(NOTE: Keep [a] for later use)

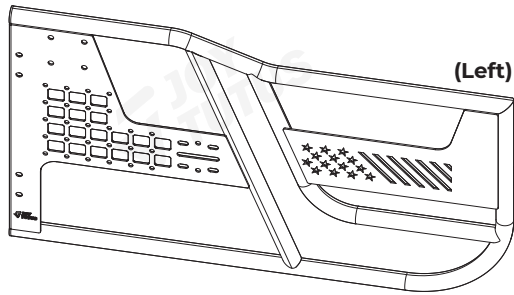


✓ INSTALLATION TIPS

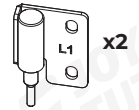
STEP 1

Required accessories:

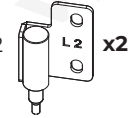
1 Front Half Door - Left



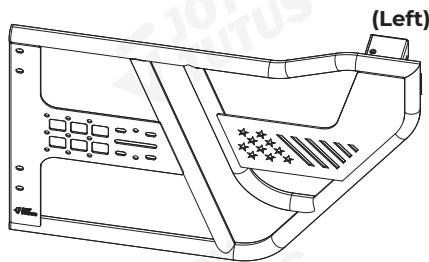
3 Long Axle Plate L1



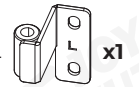
5 Short Axle Plate L2



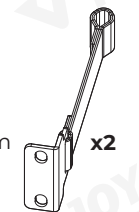
2 Rear Half Door - Left



7 Rearview Mirror Bracket L



9 Limit Webbing 260mm



10 M8 x 25 Hex Socket Button Head Screw
x8



11 ø8 Spring Washer
x8



12 ø8 x 16 x 1 Flat Washer
x8



13 M8 Flange Nut
x8



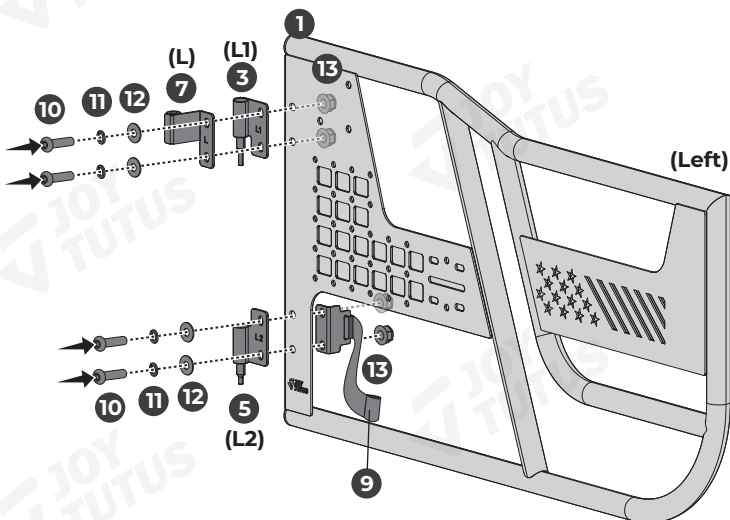
L-shaped Hex Key



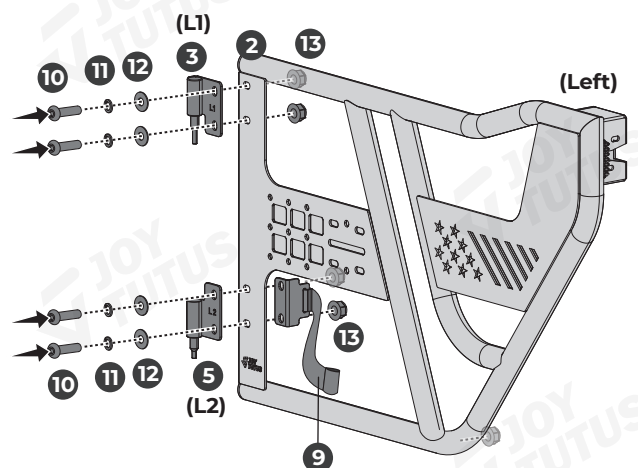
Open-end Wrench

(Self-prepared)

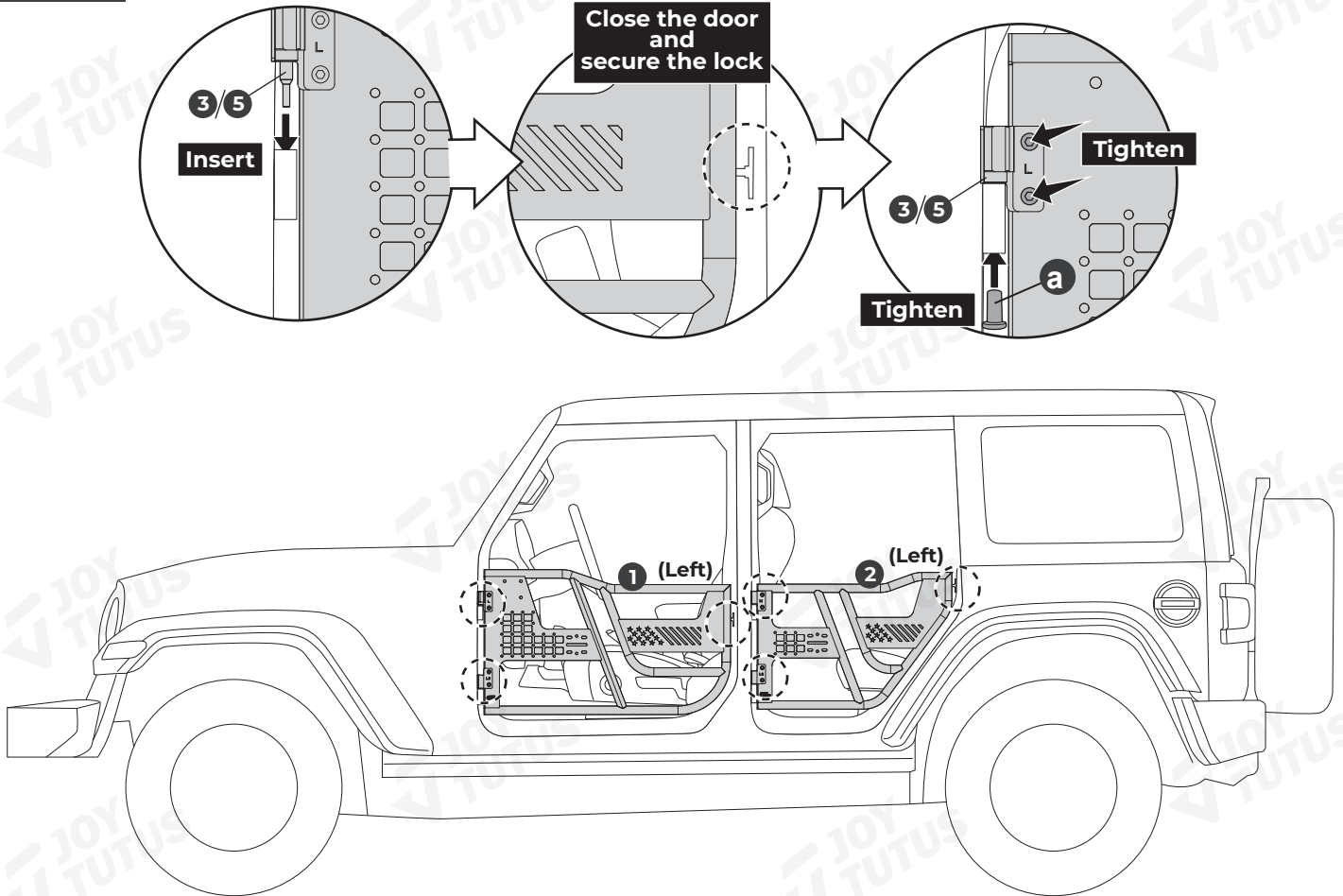
Do not tighten



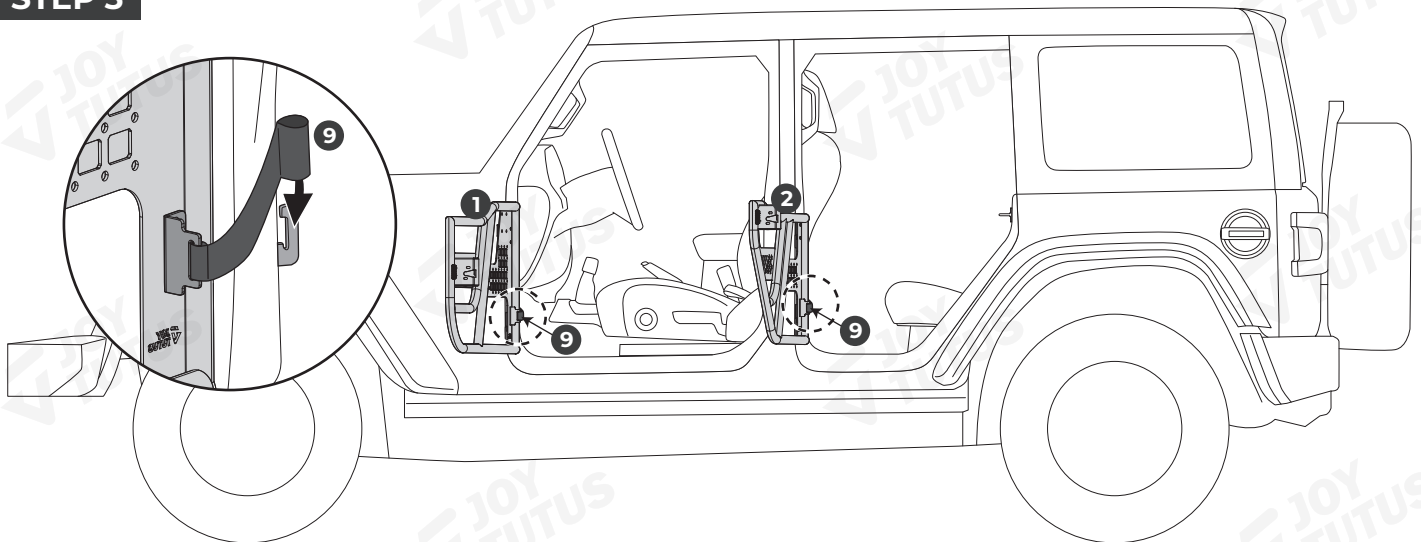
Do not tighten



STEP 2



STEP 3



STEP 4

On the other side, install the Front Half Door - Right [1] and Rear Half Door - Right [2] by referring to STEP 1 - STEP 3.