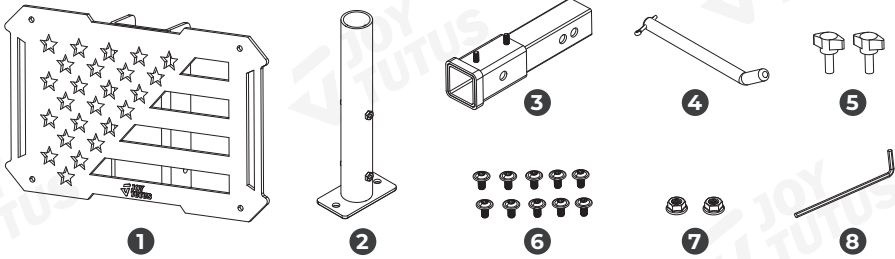


IMPORTANT

Before installation, please make sure that all accessories are ready. (As shown in the picture below).

PRODUCT INFORMATION

- 1 Bracket A x1
- 2 Bracket B x1
- 3 Bracket C x1
- 4 Trailer Lock Pin x1
- 5 M8*25 Hand-Tightened Screw x2
- 6 M5*10 Screw (Two of them are spare) x10
- 7 M8 Nut x2
- 8 3mm Hex Wrench x1



INSTALLATION METHOD

STEP 1

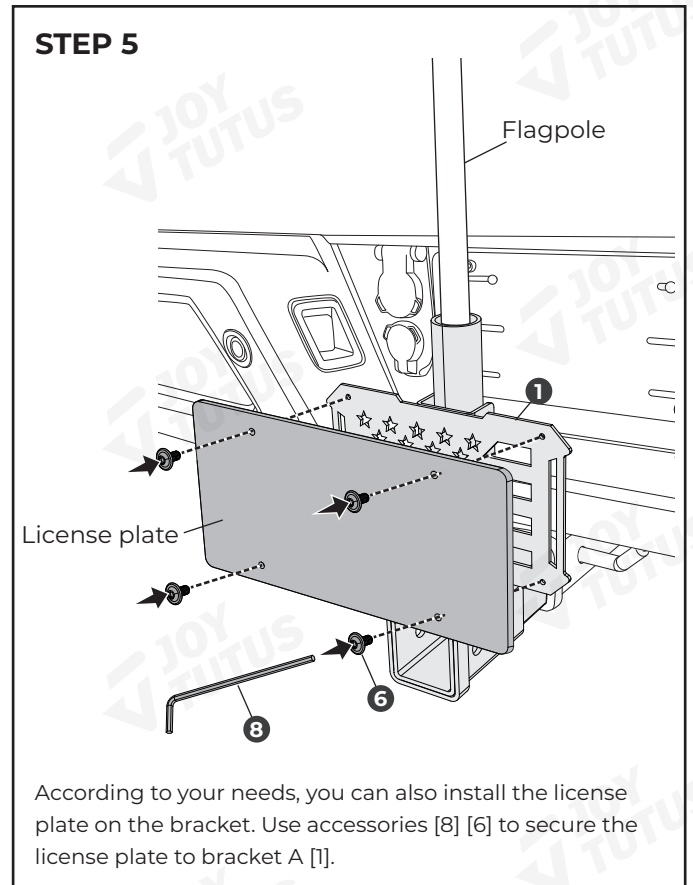
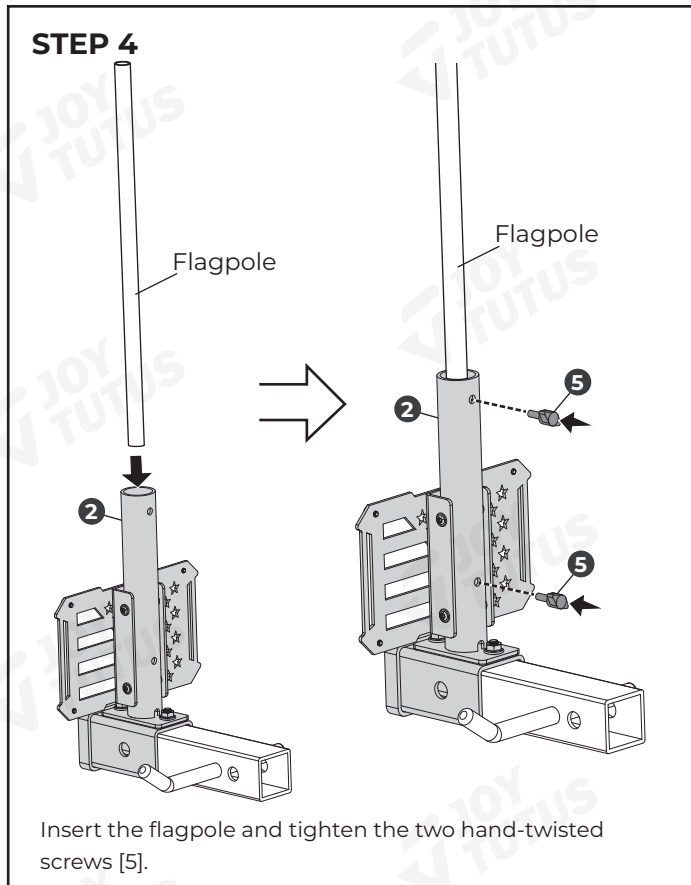
Use [7] to assemble [2] [3] together.

STEP 2

Insert [1] into [2], then fix them with [6].

STEP 3

Insert the assembled flagpole bracket into the trailer hole of the vehicle. Align [3] with the hole of the vehicle, insert the locking pin [4], and then secure it with the safety pin at the end of the locking pin.



FUNCTION

