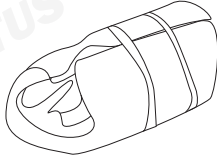


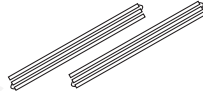
IMPORTANT

For safety and to ensure a satisfactory installation, please read the installation steps below before you install this kit.

PRODUCT INFORMATION



1 Tent *1



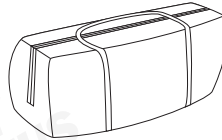
2 Canopy support pole *2



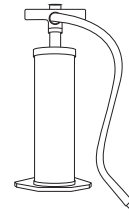
3 Ground stake *2



4 Guy rope *4



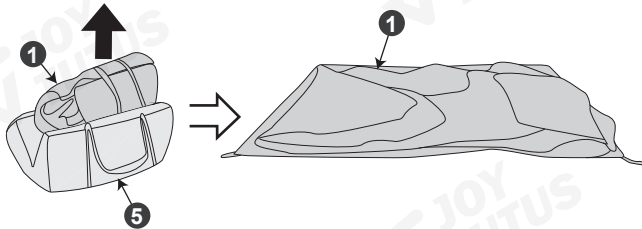
5 Storage bag *1



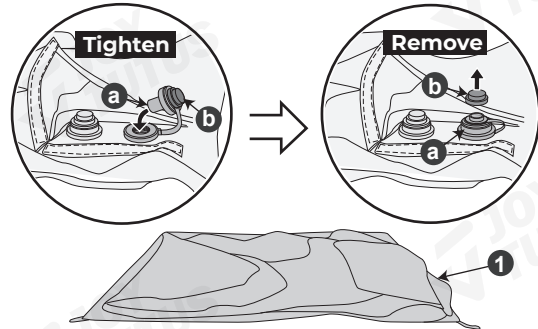
6 Manual air pump *1

INSTALLATION METHOD

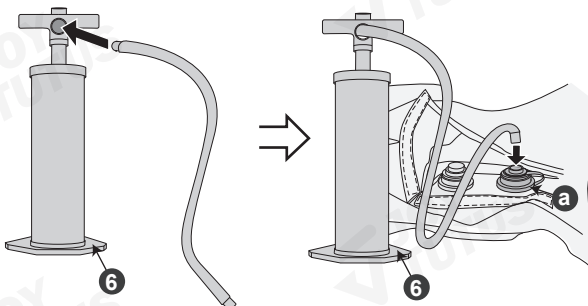
Step 1 Take out the tent [1] from [5] and unfold [1].



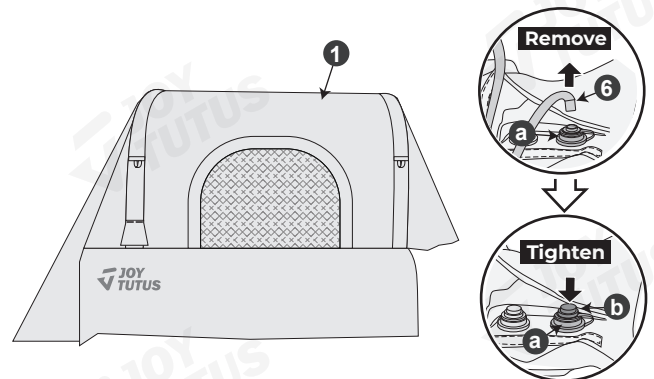
Step 2 Find the inflation point on [1]. Tighten the valve of the air column [a] and open the top cover [b] for inflation.



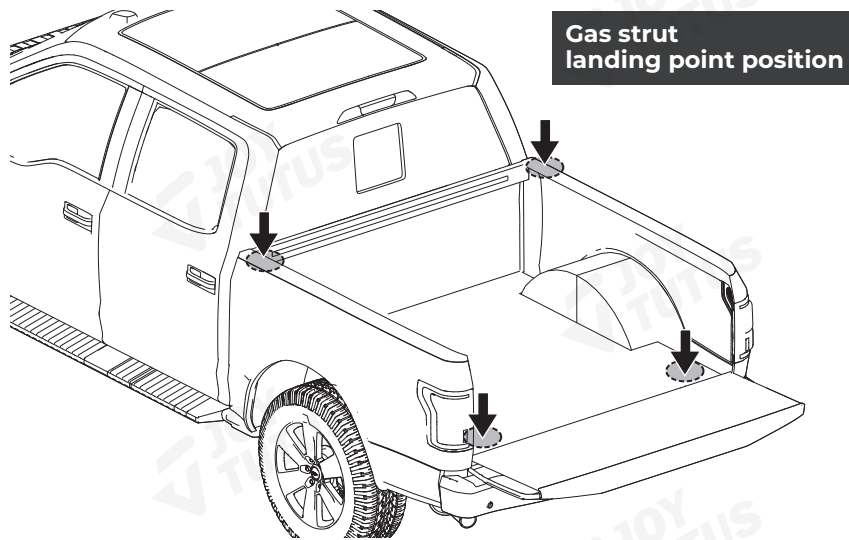
Step 3 Assemble the trachea of [6] and attach the other end of [6] to the inflation port.



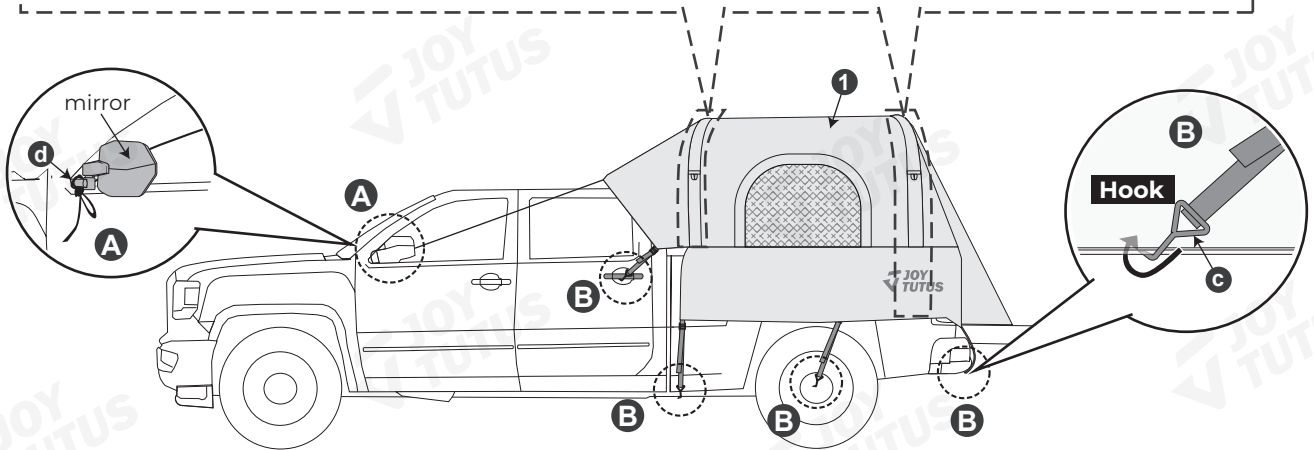
Step 4 Inflate until fully expanded, then remove [6] and tighten [b].



Step 5 Fix the tent to the back of the car using hooks [c] at position [B] and camping ropes [d] at position [A].



The shorter air column (closer to the cab) is mounted on top of the pickup truck bed platform, while the longer air column (farther from the cab) is placed inside the truck bed.



⚠ WARNING

1. Do not set up or use tents in thunderstorm weather to avoid lightning injuries.
2. Do not use open flames or any form of heating devices inside the tent to prevent fires.
3. Ensure proper ventilation when using the tent to prevent carbon monoxide poisoning.
4. In strong wind conditions, be sure to use all guy lines and stakes to secure the tent.
5. Tents are for recreational use only and are not suitable for extreme weather conditions.
6. Avoid placing sharp objects near the tent fabric to prevent damage.
7. Handle tent poles with care to avoid accidental injuries.
8. When storing, ensure the tent is dry to prevent mold.

Customer Support

✉ Contact us by email: service@joytutus.com

JOYTUTUS help center:
<http://support.joytutus.com>



If you have any questions, please visit Joytutus website for quick response.
Web: www.joytutus.com