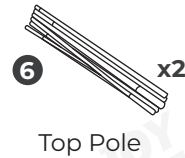
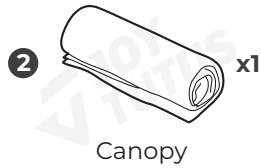


IMPORTANT

Before installation, please make sure that all accessories are ready.
(As shown in the picture below)

PRODUCT INFORMATION



CUSTOMER SUPPORT

Contact us by email:
service@joytutus.com

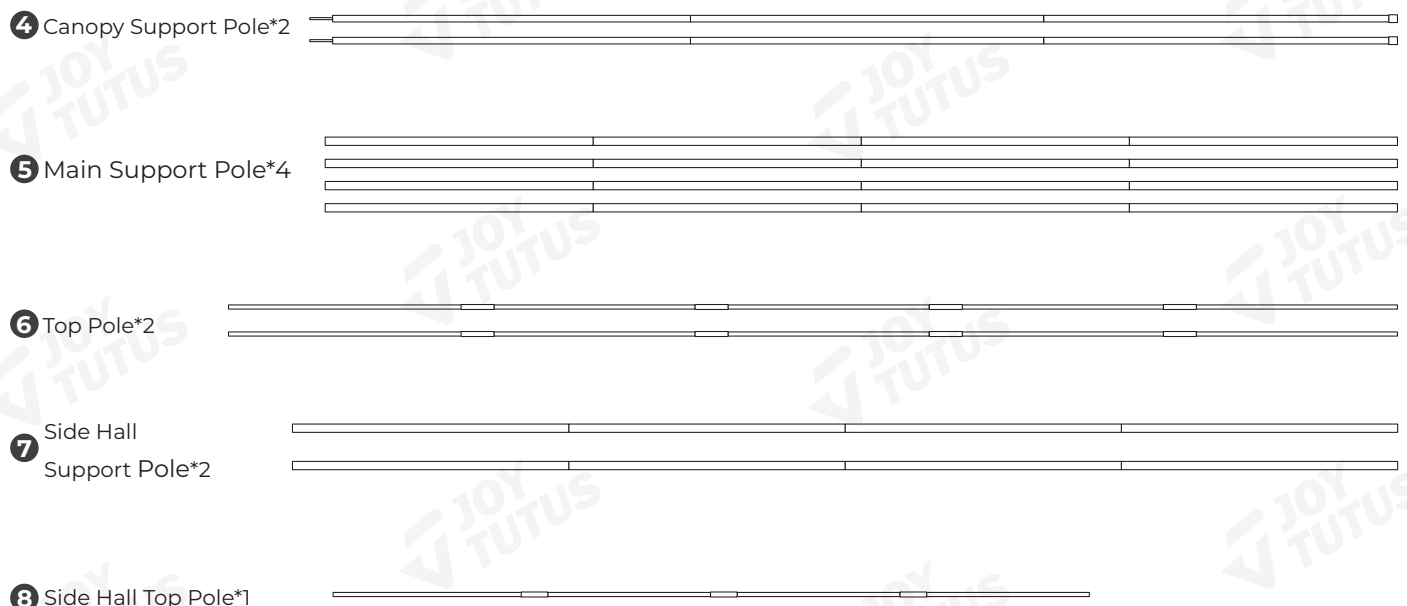
JOYTUTUS help center:



<http://support.joytutus.com>

INSTALLATION METHOD

Premise:



Step 1:

Step 2: **Note:** Distinguish the top and bottom based on the labels on the pole connector.

Step 3: Move the tent [1] closer to the rear of the SUV and extend the elastic tent cover to the rear of the vehicle.

Step 4: Lift the trunk of the vehicle.

Note: Synchronize on the other side.

Step 5: Align the rainfly [3] with the top of the tent [1], ensuring that the side with the pipe sleeve faces the entrance.

Note: Synchronize on the other side.

Step 6:

(h): The fixed hook is attached to the bottom of [1].

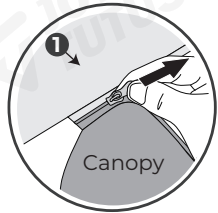
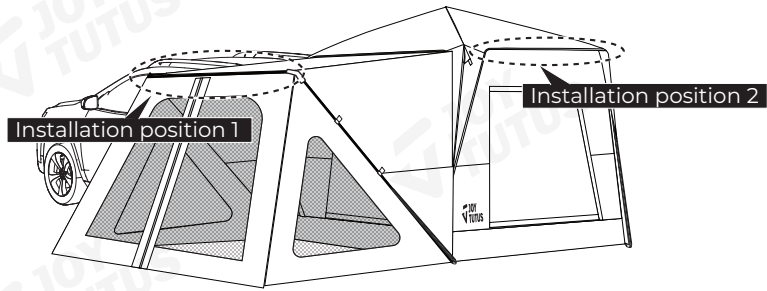
(i): The middle strap of [3] is fixed on [6].

Note: Synchronize on the other side.

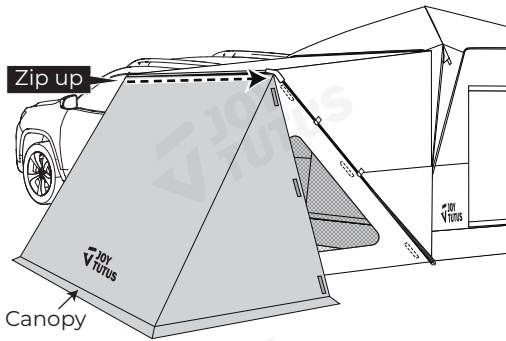
Step 7: First, use the side hall top pole to prop up the top, and then use the side hall support pole to prop up the side hall.

Note: Distinguish the top and bottom based on the labels on the pole connector.

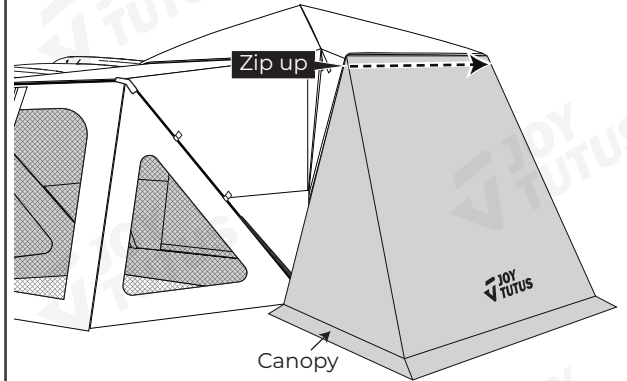
Step 8: Install the canopy.



Installation position 1

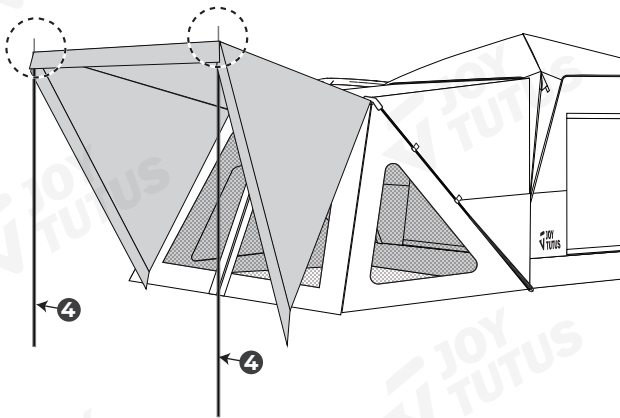


Installation position 2

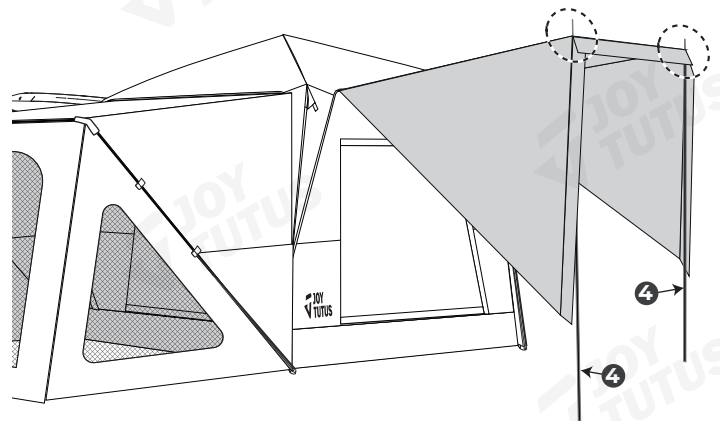


Step 9: Use [3] to prop up the tail space.

Installation position 1

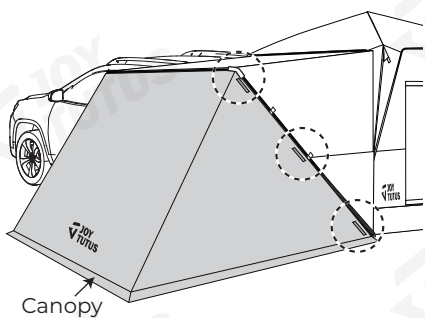


Installation position 2



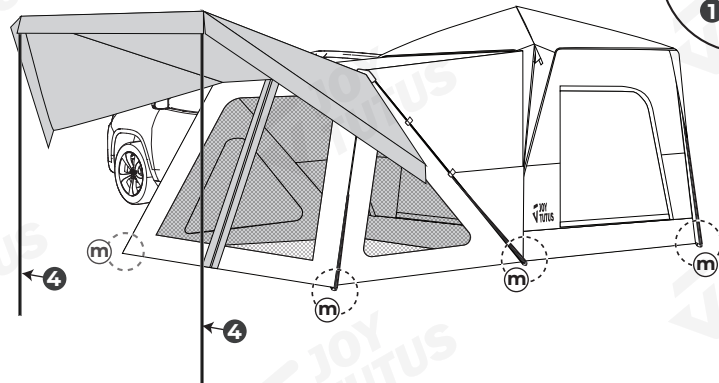
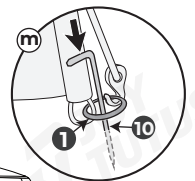
Tip: If you don't need to make a canopy you can stick Velcro for rain protection

Installation position 2



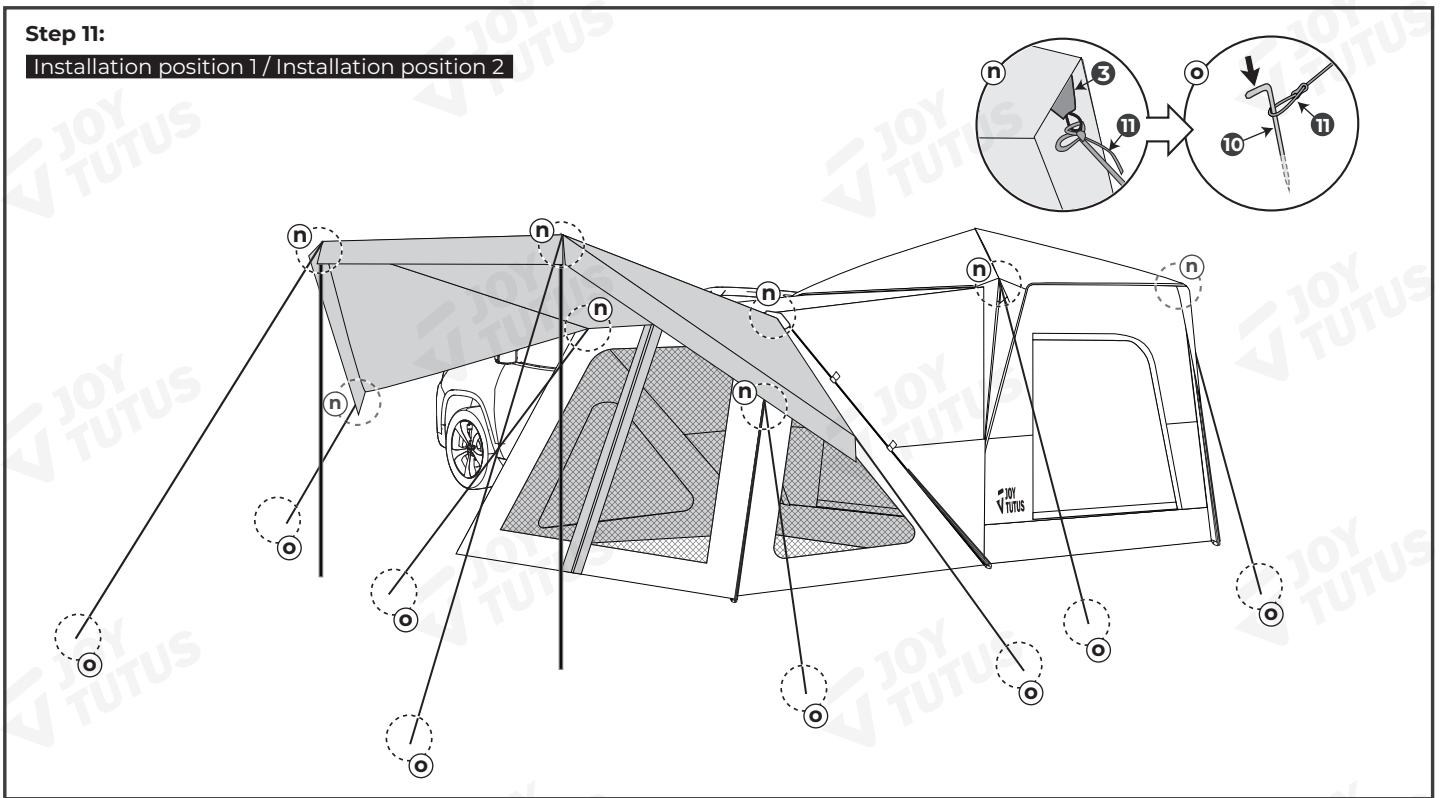
Step 10:

Installation position 1 / Installation position 2



Step 11:

Installation position 1 / Installation position 2



WARNING

- Never smoke inside the tent. Never use candles, light matches, or allow any type of open flame in or near the tent.
- Do not cook inside the tent.
- Do not store flammable liquids inside the tent.
- Allow adequate ventilation inside the tent at all times.
- Never refuel lanterns, heaters or stoves inside the tent.
- NEVER run the engine when the tent is attached to the vehicle.
- When the temperature is below freezing, do not install the tent when your vehicle is wet as it may cause damage.
- Do not attempt to drive the vehicle with the tent attached.

TENT CARE TIPS

- 1) We highly recommend seam sealing your tent prior to camping as water may penetrate the needle holes in the fabric. This is common with tents and is not a defect.
- 2) Condensation may be formed at the interior surface of your tent. It is caused by water vapor from your breath, perspiration, or any wet items in the tent. Warmer in the tent is no leakage through the tent fabric.
- 3) The water-resistant coating may wear down over time. It is suggested to spray a water-resistant coating onto the tent and rain fly every few years.
- 4) Avoid spraying insect repellent, hair spray, etc., inside or near your tent, as they may be harmful to the tent fabric and cause leakage.
- 5) Do not leave your tent set up in direct sunlight longer than necessary. If left in sunlight for prolonged periods of time, the fabric will fade and weaken.
- 6) If zippers stick, lubricate with silicon. Never force a zipper as this will bend and prevent the zipper from closing.
- 7) Never roll up or pack away a wet/damp tent. This will cause mildew. Make sure your tent is completely dry before storing. Store your tent in a dry place.
- 8) To clean, hand wash with a sponge using mild soap. Never use a washing machine or detergent.

If you have any questions, please visit Joytutus website for quick response.

Web: www.joytutus.com