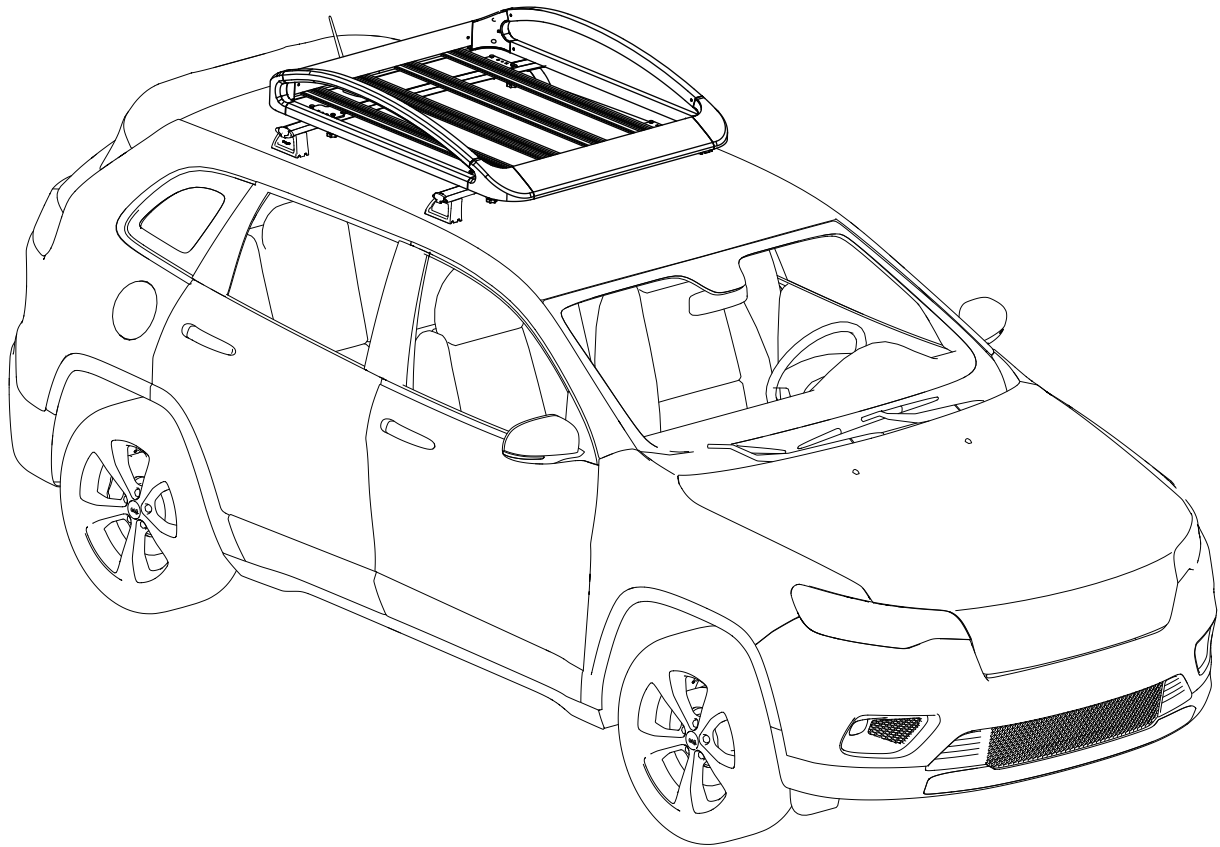




# Instruction Manual

## Aluminum Cargo Basket



**A03** SKU: IRK017-SLJT IRK018-BKJT

## CATALOG

Precaution	-----	1
Tip	-----	1
Package Contents	-----	2-3
Accessory Assembly	-----	4-6
Basket Loading	-----	7-9

## PRECAUTION

This product is packed with various types of accessories. Please make sure the package arrives with all the accessories and assemble them with patience.

1. If this product is missing parts or defective, please reach out to us for free part replacements via **service@joytutus.com** (Please attach your Amazon order ID and the picture of the parts you need in the email).
2. To prevent any possible incidents during use, please follow the below instruction strictly. If any step confuses you, please watch the video again or reach out to us for more assistance.
3. The maximum weight capacity is **150lbs/68kg**. DO NOT EXCEED the maximum load specified for the basket.
4. Check the hardware attachment for tight fit and function at regular intervals, and re-tighten them if necessary.
5. For your safety, we recommend not exceeding **110km/h (68mph)** when driving.
6. When carrying some huge luggage like kayak or cargo box, wind resistance needs to be taken into consideration.

## TIP

Please check if the package arrives with all the accessories included. Collect them together in case they get lost during the installation.

**Customer  
Support**

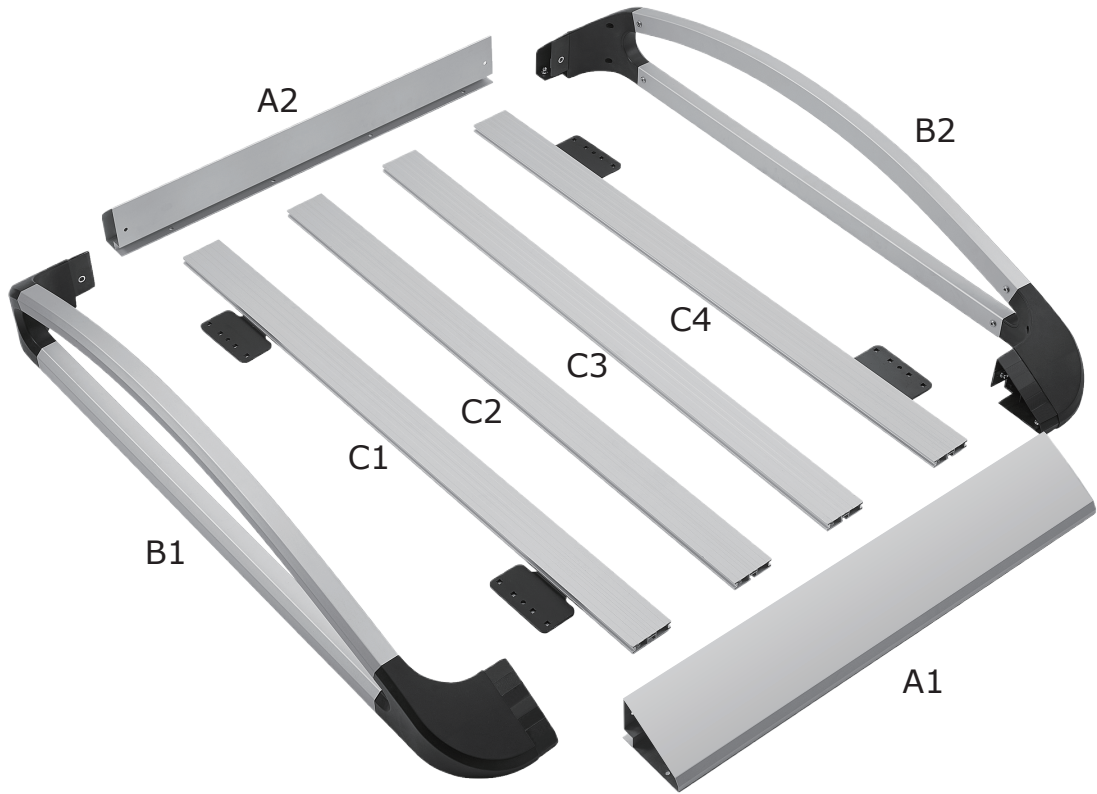


Contact us by email: [service@joytutus.com](mailto:service@joytutus.com)

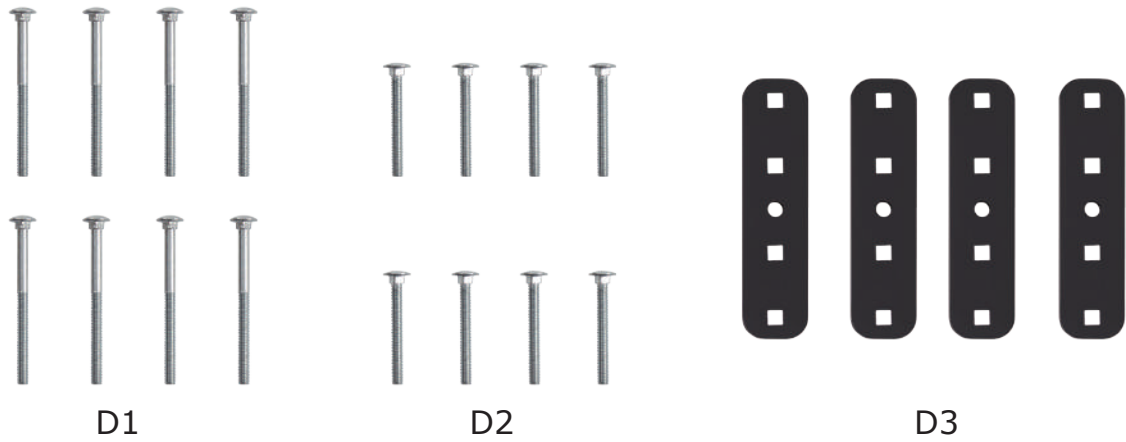
JOYTUTUS help center:  
<http://support.joytutus.com>



**√ PACKAGE CONTENTS**



Number	Description	Quantity
A1	Front Bar	1
A2	Rear Bar	1
B1	Right Bar	1
B2	Left Bar	1
C1	Base Bar with 2 Mounting Plates	1
C2	Base Bar	1
C3	Base Bar	1
C4	Base Bar with 2 Mounting Plates	1



Number	Description	Quantity
D1	Round-Head Bolt (M6×75)	8
D2	Round-Head Bolt (M6×60)	8
D3	Locking Plate	4
D4	Thumb Screw (M6)	8
D5	Allen Wrench (T4)	1
D6	Bolt (M6×20)	12
D7	Bolt (M6×10)	8



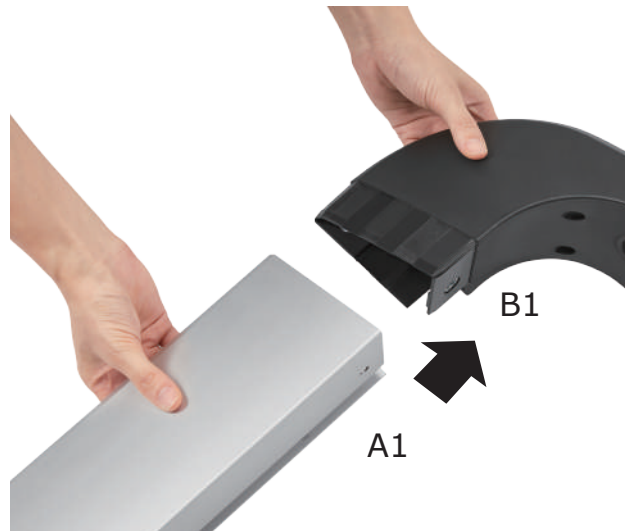
**The bolts (D2) are not necessary, just as spare bolts for bolts (D1). If the bolts (D1) are too long for your vehicle, please use the spare shorter bolts (D2).**

## √ ACCESSORY ASSEMBLY

**STEP 1:** Connect A1 with B1.

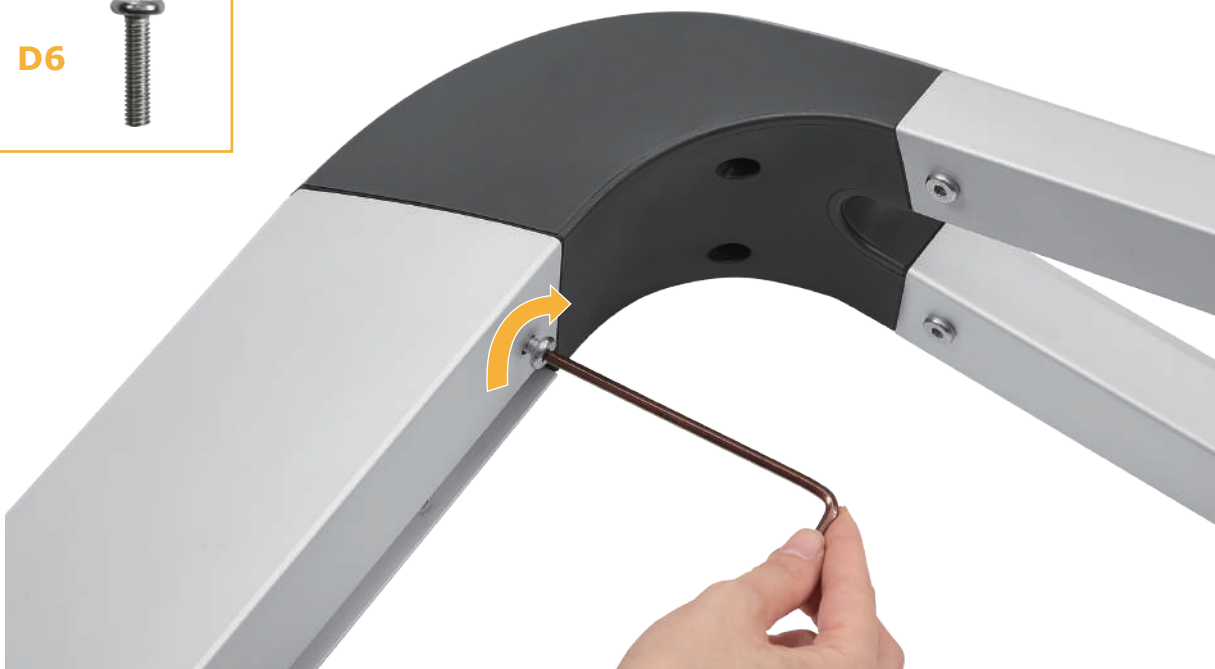


This step would require some patience and technique to process. But it's correctly made. Aim at angle and press the plastic black base when pushing in.

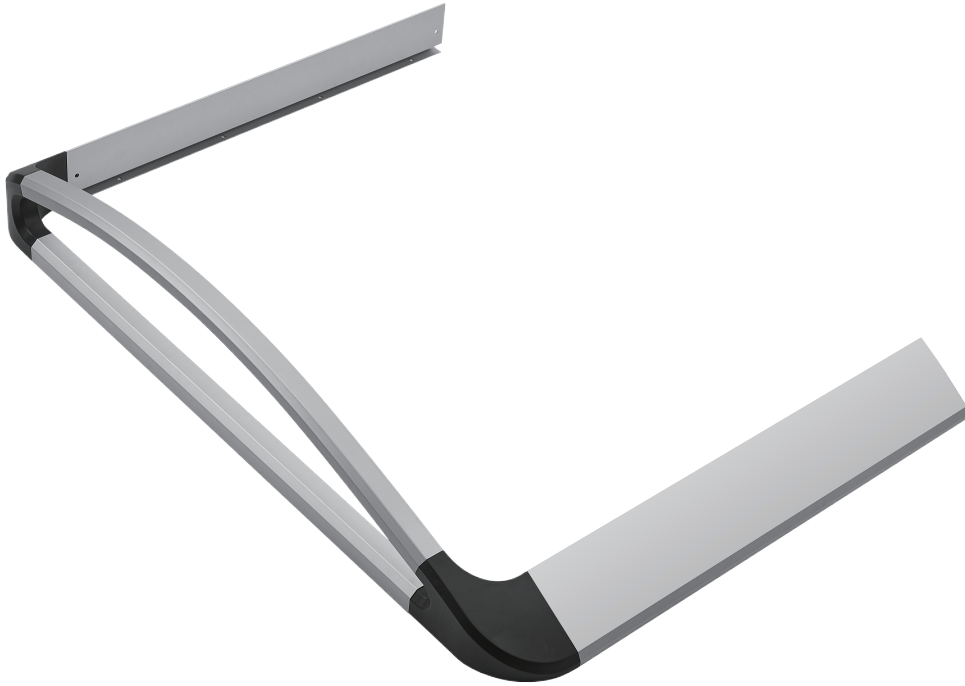


**STEP 2:** Use the Allen Wrench to tight cup-head bolts(D6) of the joint (from Step 1).

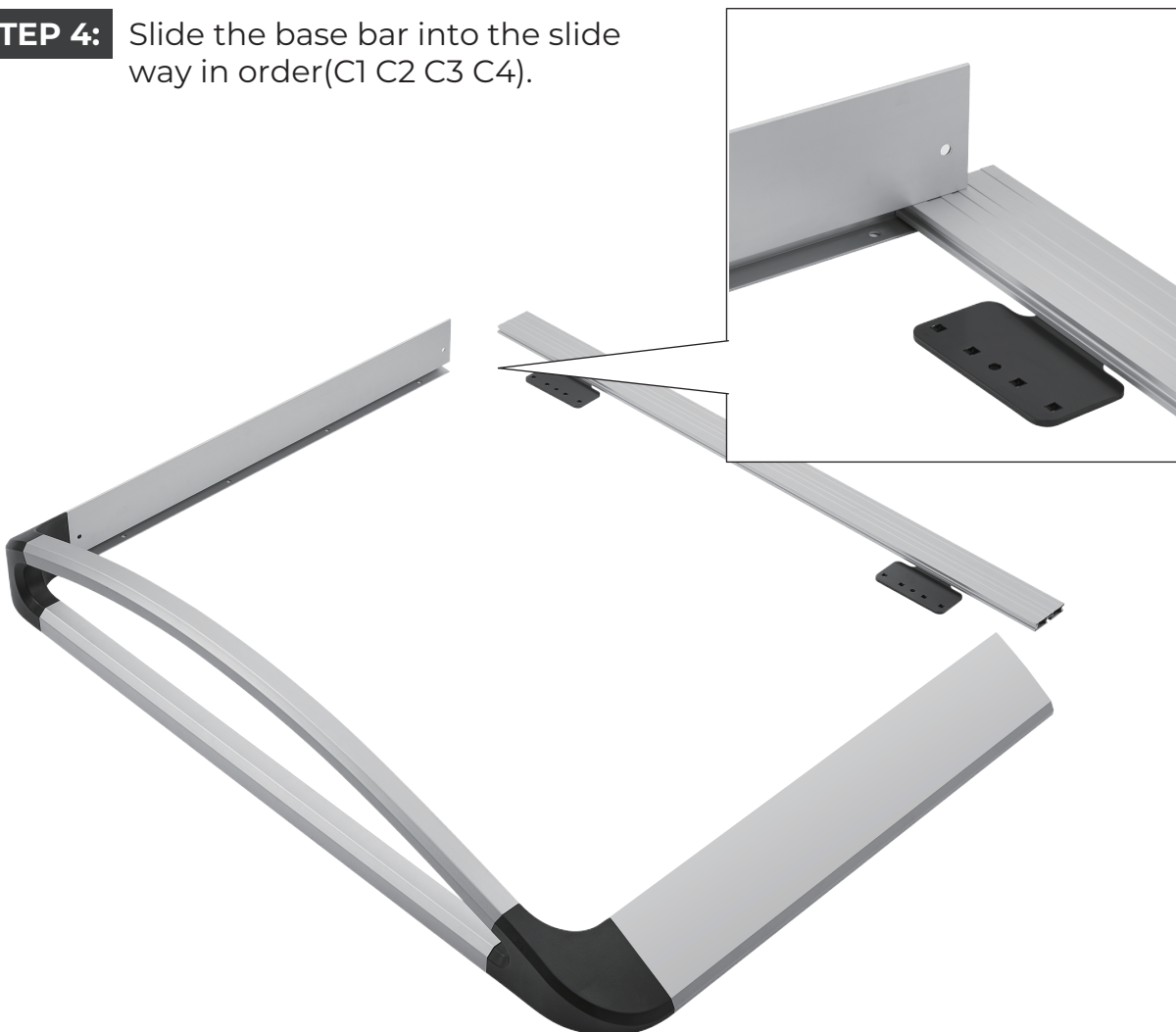
D6



**STEP 3:** Repeat Step 2 on the other side and secure A2 to B1.



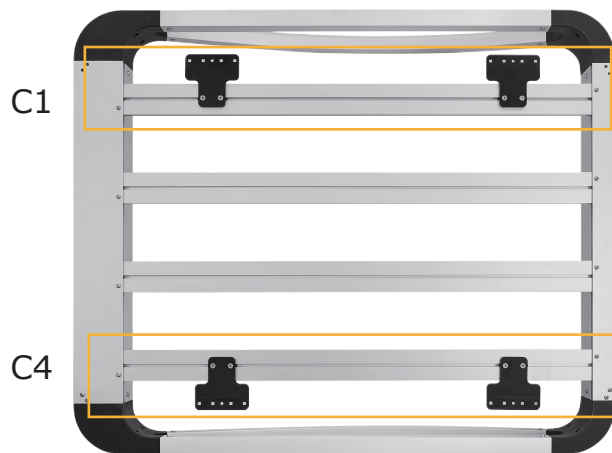
**STEP 4:** Slide the base bar into the slide way in order(C1 C2 C3 C4).



**STEP 5:** Use the bolts (D7) to secure both sides of C1 base bar.

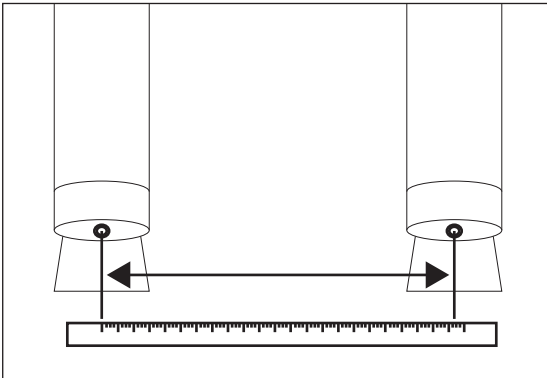


**STEP 6:** Repeat Step 5 to install the other base bars and finish the look.

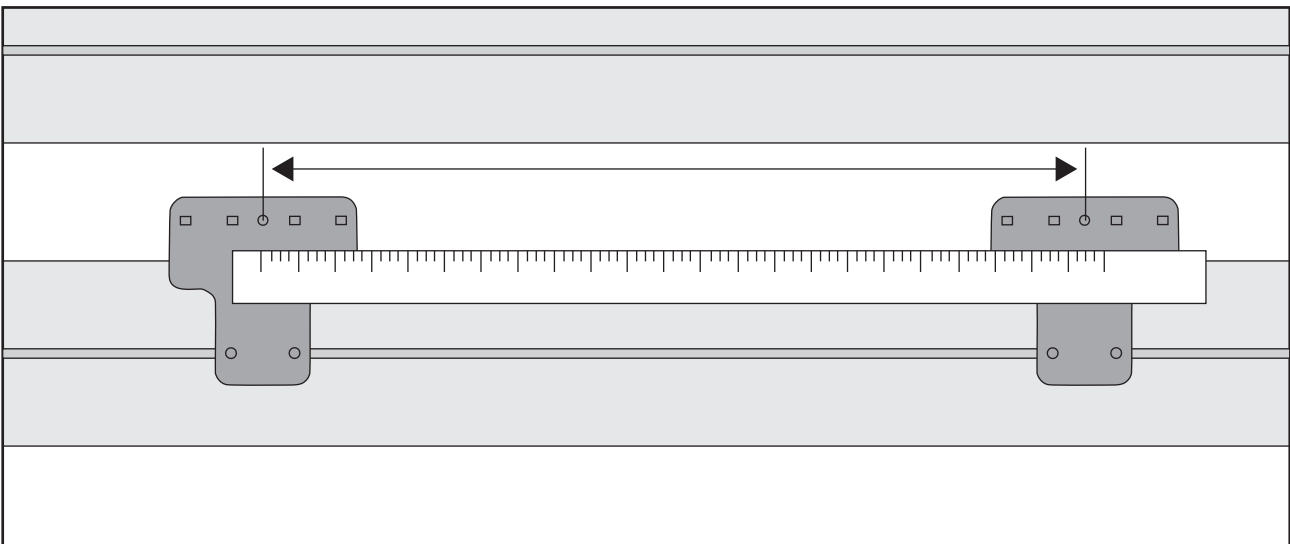


## ✓ BASKET LOADING

**STEP 1:** Before loading, measure the center distance of your cross bar on your vehicle.



**STEP 2:** Keep the distance of the center hole of the mounting plate in line with the cross bar. Once the position is fixed, tighten the screws.



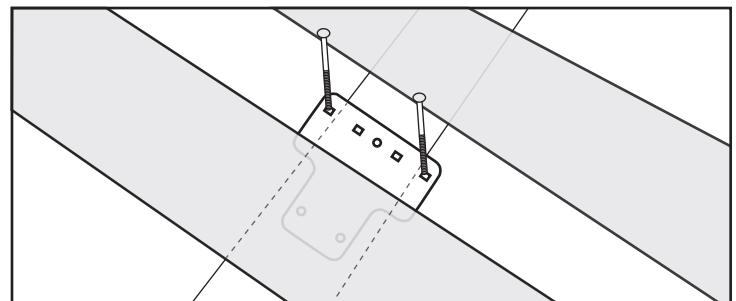
**STEP 3:** Place the basket gently on your cross bar.



**STEP 4:** Position the mounting plate right at the top of the cross bar and put two bolts(D1) through the holes of the plate.



**If the bolts (D1) are too long for your vehicle, please use the spare shorter bolts (D2). If two sets of the bolts don't meet your need, please contact JOYTUTUS customer service (<http://support.joytutus.com>).**



**STEP 5:** Use 1 locking plate(D3) and 2 thumb screws(D4) to secure the cross bar with the basket.

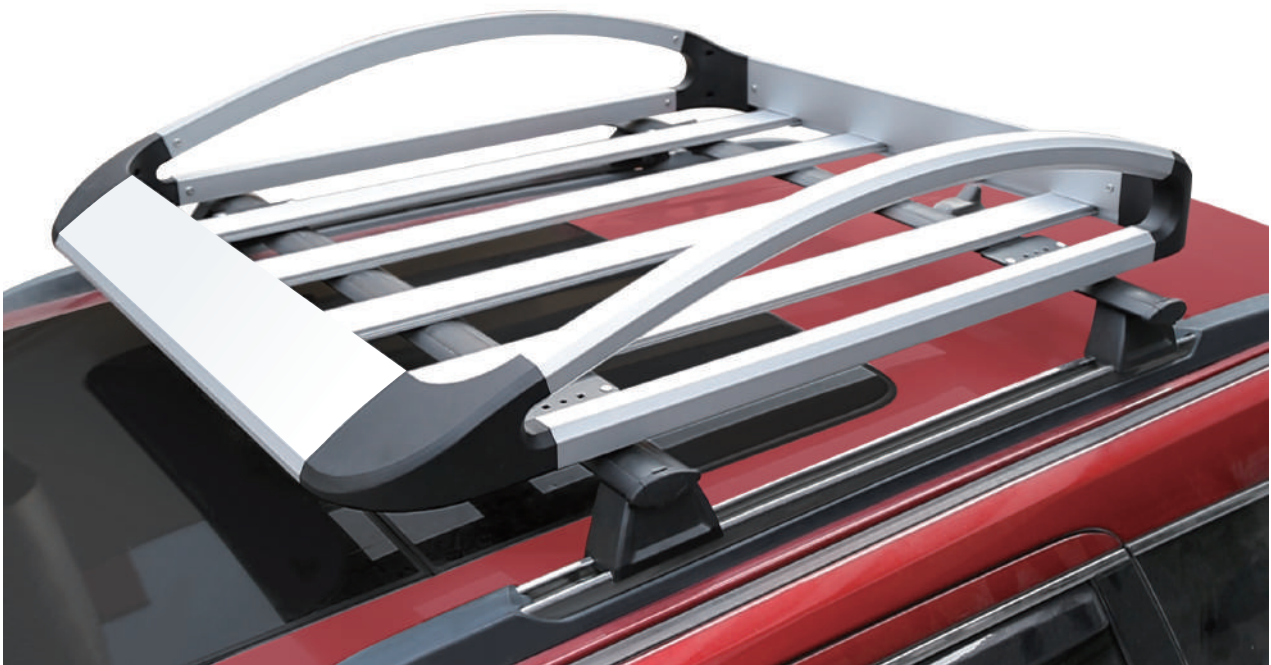
**! : The rubber side of the locking plate faces up**



**STEP 6:** Repeat other three bases and wobble the basket to see if it's installed firmly.



**STEP 7:** Done!



**Customer  
Support**

✉ Contact us by email: [service@joytutus.com](mailto:service@joytutus.com)

JOYTUTUS help center:  
<http://support.joytutus.com>



 **JOY**  
**TUTUS**